



Chipsmall Limited consists of a professional team with an average of over 10 year of expertise in the distribution of electronic components. Based in Hongkong, we have already established firm and mutual-benefit business relationships with customers from,Europe,America and south Asia,supplying obsolete and hard-to-find components to meet their specific needs.

With the principle of “Quality Parts,Customers Priority,Honest Operation,and Considerate Service”,our business mainly focus on the distribution of electronic components. Line cards we deal with include Microchip,ALPS,ROHM,Xilinx,Pulse,ON,Everlight and Freescale. Main products comprise IC,Modules,Potentiometer,IC Socket,Relay,Connector.Our parts cover such applications as commercial,industrial, and automotives areas.

We are looking forward to setting up business relationship with you and hope to provide you with the best service and solution. Let us make a better world for our industry!



Contact us

Tel: +86-755-8981 8866 Fax: +86-755-8427 6832

Email & Skype: info@chipsmall.com Web: www.chipsmall.com

Address: A1208, Overseas Decoration Building, #122 Zhenhua RD., Futian, Shenzhen, China



4

3

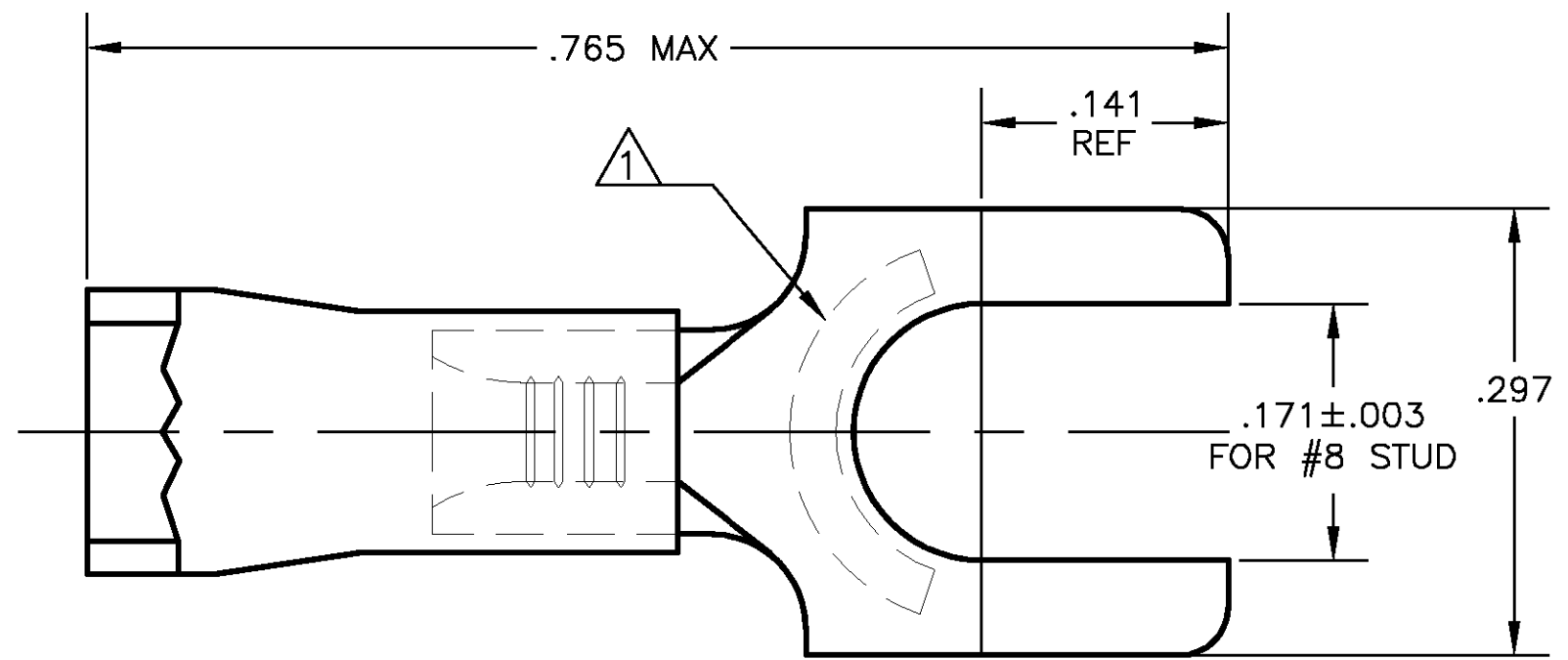
2

1

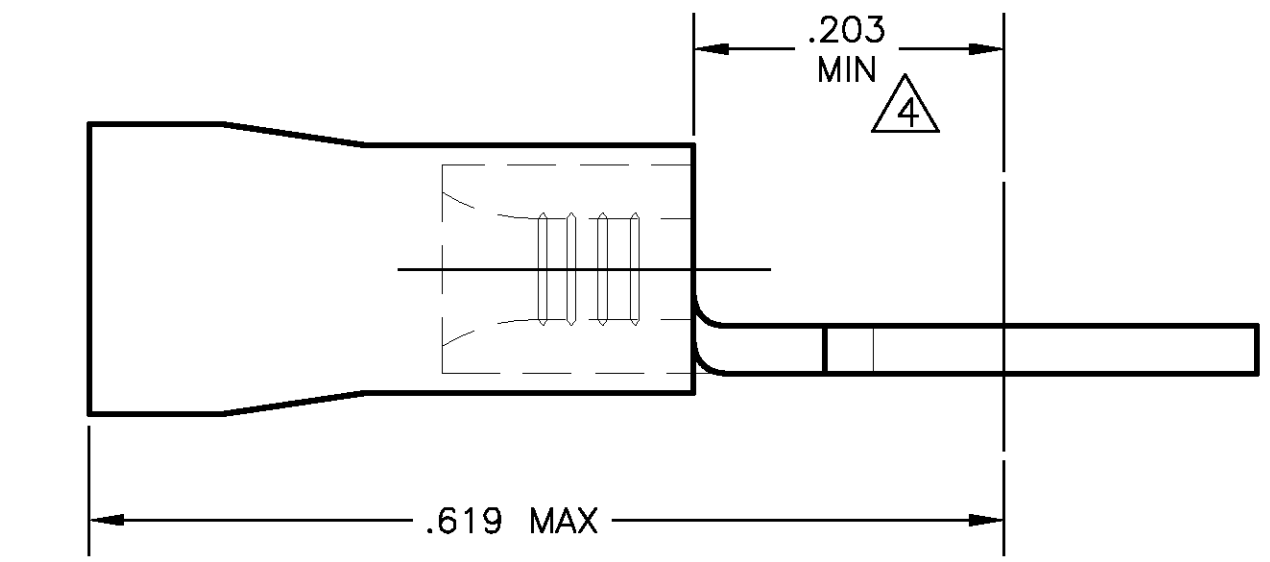
THIS DRAWING IS UNPUBLISHED. RELEASED FOR PUBLICATION
 © COPYRIGHT BY TYCO ELECTRONICS CORPORATION. ALL RIGHTS RESERVED.

LOC	DIST	REVISIONS					
G	86	P	LTR	DESCRIPTION	DATE	DWN	APVD
		B		REDRAWN PER 0G3A-0670-02	26NOV02	JR	TM

AMP
WIRE RANGE
 22-18 AWG
 SOLID OR
 STRANDED



- ① STAMP AMP 22-18*, APPROX AS SHOWN. 22-16 TERMINALS ARE STAMPED 22-18 IN ACCORDANCE WITH MILITARY SPEC MIL-T-7928, COMMERCIAL WIRE RANGE IS 22-16.
- 2 WIRE INSULATION DIA .105-.140
- 3 TONGUE MATL THK IS .031±.002
- ④ DIMENSION APPLIES FROM EDGE OF METAL WIRE BBL TO CENTER OF STUD.



1000	LOOSE PIECE	155129-1
QTY	PACKAGING	PART NO.

THIS DRAWING IS A CONTROLLED DOCUMENT.		DWN JR RUTH 26NOV2002	Tyco Electronics Corporation Harrisburg, PA 17105				
DIMENSIONS: INCHES 		CHK T MICHIELUTTI 26NOV02					
TOLERANCES UNLESS OTHERWISE SPECIFIED: 0 PLC ± - 1 PLC ± - 2 PLC ± - 3 PLC ± .005 4 PLC ± - ANGLES ± -		APVD T MICHIELUTTI 26NOV02	NAME TERMINAL, SPADE, PLASTI-GRIP, WIRE SIZE: 22-16 AWG				
MATERIAL		PRODUCT SPEC	SIZE	CAGE CODE	DRAWING NO	RESTRICTED TO	
FINISH		APPLICATION SPEC	A3	00779	C-155129	-	
		WEIGHT	CUSTOMER DRAWING		SCALE 8:1	SHEET 1 OF 1	REV B