



Chipsmall Limited consists of a professional team with an average of over 10 year of expertise in the distribution of electronic components. Based in Hongkong, we have already established firm and mutual-benefit business relationships with customers from,Europe,America and south Asia,supplying obsolete and hard-to-find components to meet their specific needs.

With the principle of “Quality Parts,Customers Priority,Honest Operation,and Considerate Service”,our business mainly focus on the distribution of electronic components. Line cards we deal with include Microchip,ALPS,ROHM,Xilinx,Pulse,ON,Everlight and Freescale. Main products comprise IC,Modules,Potentiometer,IC Socket,Relay,Connector.Our parts cover such applications as commercial,industrial, and automotives areas.

We are looking forward to setting up business relationship with you and hope to provide you with the best service and solution. Let us make a better world for our industry!



Contact us

Tel: +86-755-8981 8866 Fax: +86-755-8427 6832

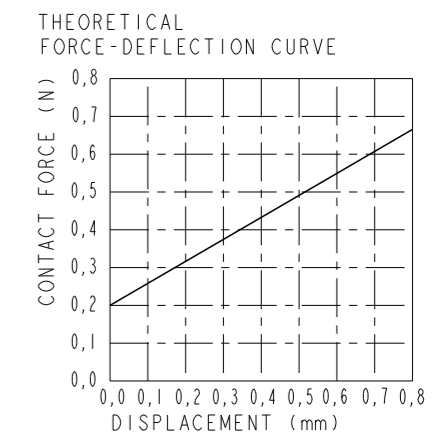
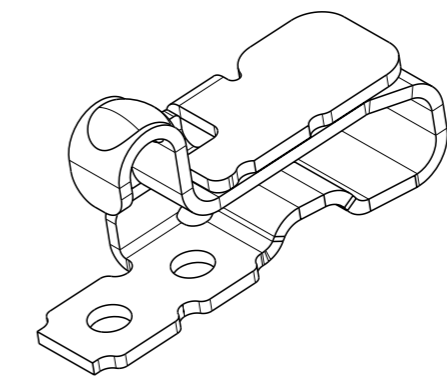
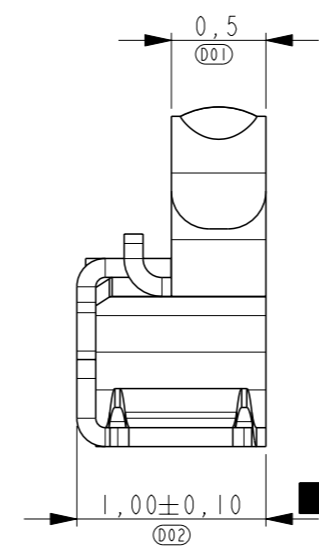
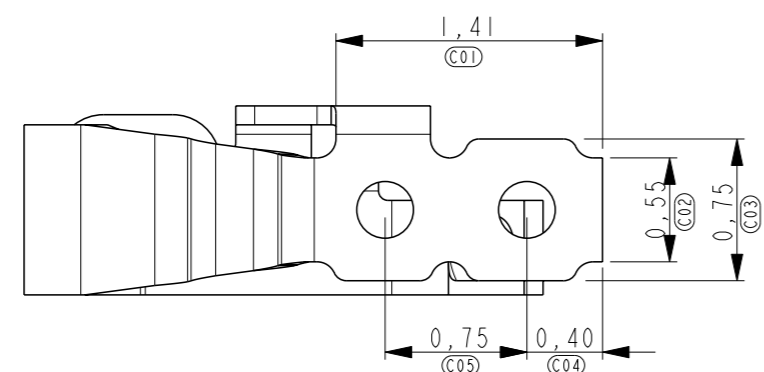
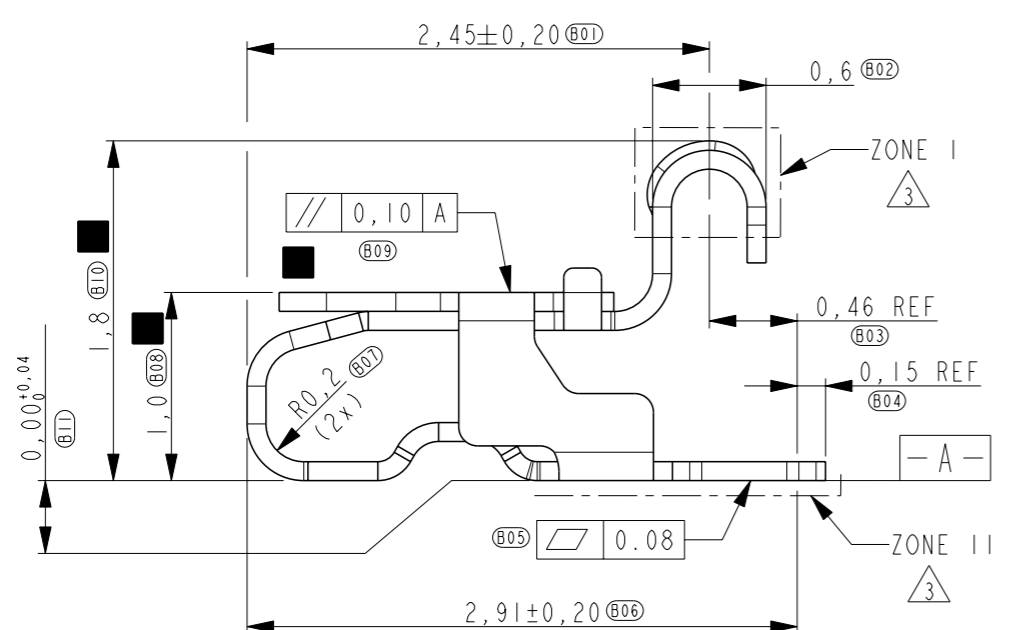
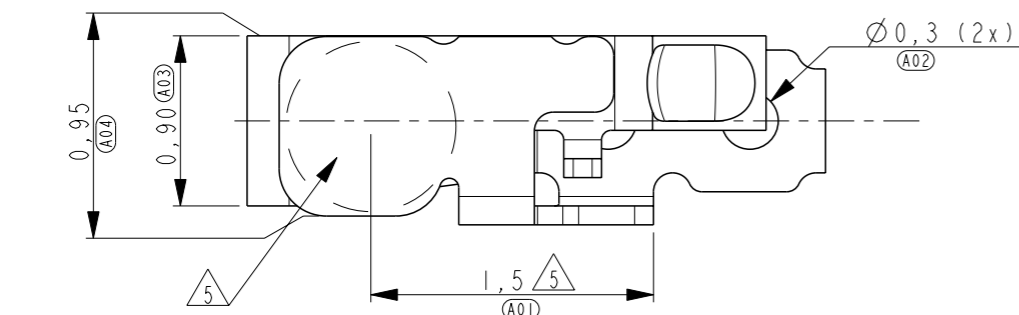
Email & Skype: info@chipsmall.com Web: www.chipsmall.com

Address: A1208, Overseas Decoration Building, #122 Zhenhua RD., Futian, Shenzhen, China

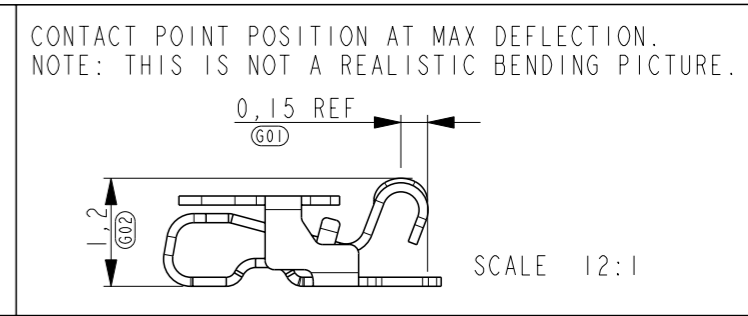
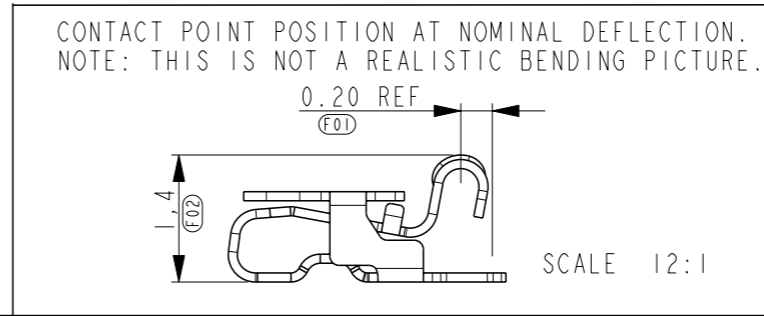


THIS DRAWING IS UNPUBLISHED. RELEASED FOR PUBLICATION
 © COPYRIGHT - BY TYCO ELECTRONICS CORPORATION. ALL RIGHTS RESERVED.

LOC	DIST	REVISIONS			
P	LTR	DESCRIPTION	DATE	DWN	APVD
H	-	B	ECR-11-004258	25FEB2011	JvH DH

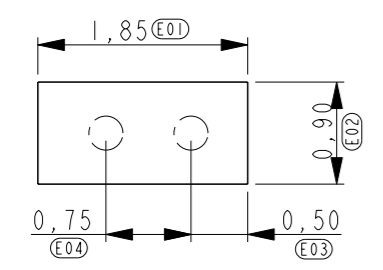


- NOTES:
- 1 PART NUMBER: 1551401-4 AS SHOWN.
 - 2 MATERIAL: TiCu.
 - 3 PLATING: 1,3µm MIN. NICKEL UNDERLAYER ALL OVER
 ZONE I: 0,50µm MIN. GOLD
 ZONE II: GOLD FLASH
 - 4 FORCE AT MIN DEFLECTION (AT 1,6mm) 0,20N MIN.
 FORCE AT MAX DEFLECTION (AT 1,2mm) 0,80N MAX.
 - 5 INDICATED SURFACE TO BE USED AS PICK AND PLACE SURFACE.
 THE DASHED LINE INDICATES A Ø0,90mm VACUUM PICKER.
 - 6 ■ = CRITICAL DIMENSION WHICH EFFECTS FORM FIT & FUNCTION

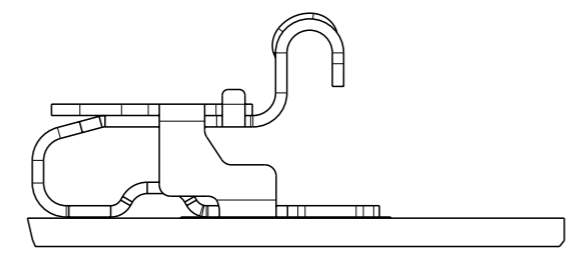


RECOMMENDED PWB LAY-OUT.

DASHED CIRCLES ARE THE LOCATION OF THE SHIELD FINGER BOTTOM HOLES.



REFERENCE VIEW FOR COMPONENT PLACEMENT



THIS DRAWING IS A CONTROLLED DOCUMENT FOR TYCO ELECTRONICS CORPORATION IT IS SUBJECT TO CHANGE AND THE CONTROLLING ENGINEERING ORGANIZATION SHOULD BE CONTACTED FOR THE LATEST REVISION.

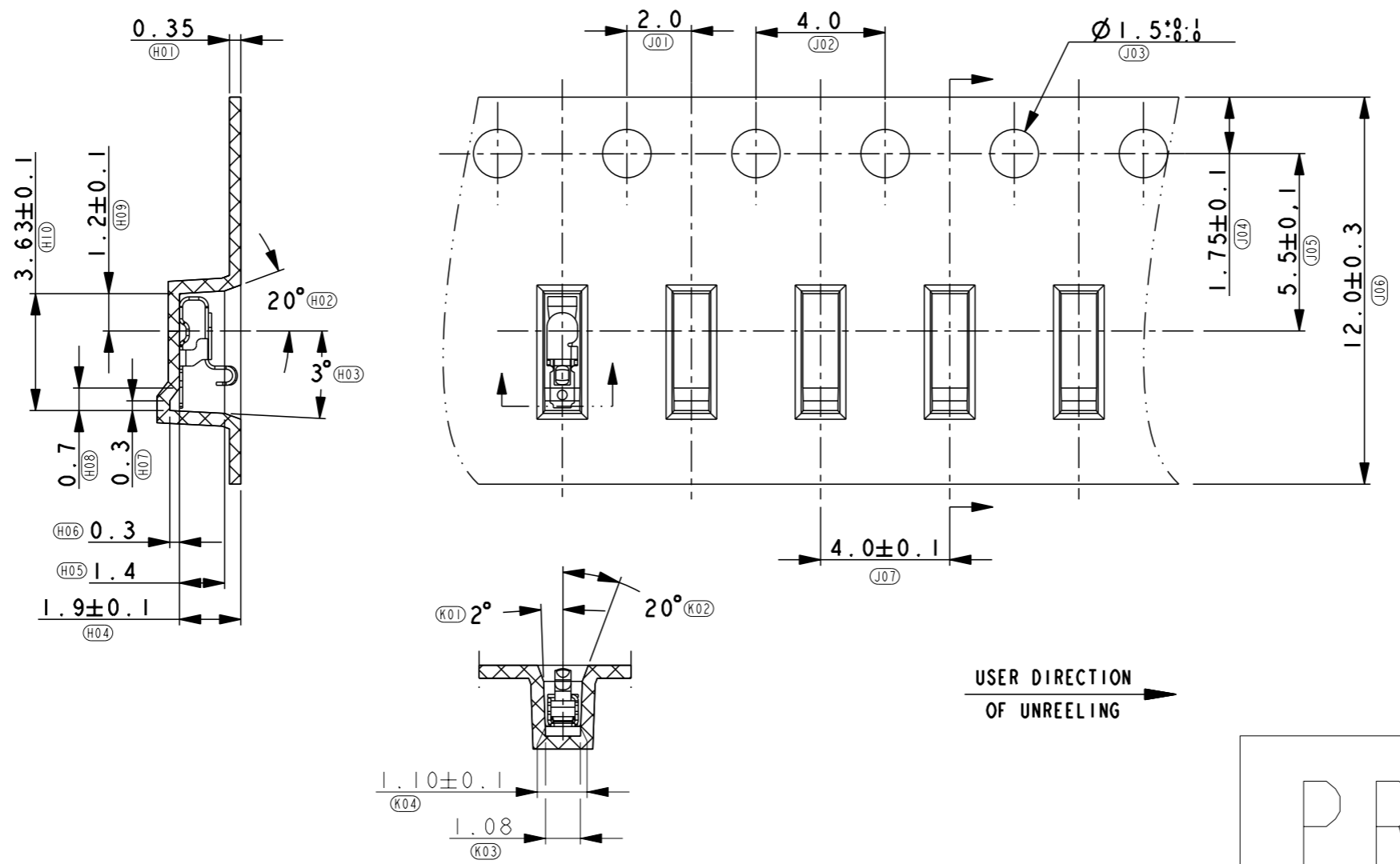
DIMENSIONS:	TOLERANCES UNLESS OTHERWISE SPECIFIED:
mm	
0 PLC	±0,20
1 PLC	±0,10
2 PLC	±0,10
3 PLC	±0,05
4 PLC	±
ANGLES	±
MATERIAL	FINISH
-	-

DWN	J. Haans	22-SEP-09
CHK	J. Dittner	22-SEP-09
APVD	D. Halberstadt	22-SEP-09
PRODUCT SPEC	-	-
APPLICATION SPEC	-	-
WEIGHT	0,0055g	-
CUSTOMER DRAWING		

		Tyco Electronics Nederland BV 's-Hertogenbosch, The Netherlands	
NAME			
SPRING FINGER 1,8 mm RIGHT			
SIZE	CAGE CODE	DRAWING NO	RESTRICTED TO
A3	00779	C-1551401	-
SCALE		SHEET	OF
20:1		1	2
		REV	B

THIS DRAWING IS UNPUBLISHED. RELEASED FOR PUBLICATION
 © COPYRIGHT - BY TYCO ELECTRONICS CORPORATION. ALL RIGHTS RESERVED.

LOC	DIST	REVISIONS			
P	LTR	DESCRIPTION	DATE	DWN	APVD
H	-	SEE SHEET 1	-	-	-



PROPOSAL

<small>THIS DRAWING IS A CONTROLLED DOCUMENT FOR TYCO ELECTRONICS CORPORATION IT IS SUBJECT TO CHANGE AND THE CONTROLLING ENGINEERING ORGANIZATION SHOULD BE CONTACTED FOR THE LATEST REVISION.</small>		DWN J. Haans 22-SEP-09 CHK J. Dittner 22-SEP-09 APVD D. Halberstadt 22-SEP-09		Tyco Electronics Nederland BV 's-Hertogenbosch, The Netherlands	
DIMENSIONS: mm		TOLERANCES UNLESS OTHERWISE SPECIFIED: 0 PLC ±0,20 1 PLC ±0,10 2 PLC ±0,10 3 PLC ±0,05 4 PLC ±- ANGLES ±-		NAME SPRING FINGER 1,8 mm RIGHT	
MATERIAL -		FINISH -		PRODUCT SPEC - APPLICATION SPEC - WEIGHT 0,0055g	
CUSTOMER DRAWING				SIZE A3	CAGE CODE 00779
SCALE 20:1				DRAWING NO C-1551401	RESTRICTED TO -
SHEET 2 OF 2				REV B	