



Chipsmall Limited consists of a professional team with an average of over 10 year of expertise in the distribution of electronic components. Based in Hongkong, we have already established firm and mutual-benefit business relationships with customers from,Europe,America and south Asia,supplying obsolete and hard-to-find components to meet their specific needs.

With the principle of “Quality Parts,Customers Priority,Honest Operation,and Considerate Service”,our business mainly focus on the distribution of electronic components. Line cards we deal with include Microchip,ALPS,ROHM,Xilinx,Pulse,ON,Everlight and Freescale. Main products comprise IC,Modules,Potentiometer,IC Socket,Relay,Connector.Our parts cover such applications as commercial,industrial, and automotives areas.

We are looking forward to setting up business relationship with you and hope to provide you with the best service and solution. Let us make a better world for our industry!



## Contact us

Tel: +86-755-8981 8866 Fax: +86-755-8427 6832

Email & Skype: info@chipsmall.com Web: www.chipsmall.com

Address: A1208, Overseas Decoration Building, #122 Zhenhua RD., Futian, Shenzhen, China



4

3

2

1

THIS DRAWING IS UNPUBLISHED.

RELEASED FOR PUBLICATION

© COPYRIGHT - BY - ALL RIGHTS RESERVED.

LOC  
ES DIST  
00

REVISIONS

P	LTR	DESCRIPTION	DATE	DWN	APVD
	A1	ADD DEFORMED VIEW	24DEC2012	T.Z	S.Y

SCALE 15:1

0.20 REF  
0.18 REF  
0.12 REF

REFERENCE DEFORMED VIEW

SCALE 15:1

REFERENCE VIEW FOR  
COMPONENT PLACEMENT

SEE DETAIL A

DETAIL A  
SCALE 50:1

SCALE 15:1

RECOMMENDED PWB LAY-OUT(±0.05)  
DASHED CIRCLES ARE THE LOCATION  
OF THE SPRING FINGER BOTTOM HOLES

1 PART NUMBER: 1551572-5 AS SHOWN.  
2 MATERIAL: STAINLESS STEEL.  
3 PLATING: 1,3um MIN. NICKEL UNDERLAYER ALL OVER  
ZONE 1: 0,30um MIN. GOLD  
ZONE 2: 0,01-0,2um GOLD FLASH  
4 NORMAL FORCE: 0.6±0.2N AT THE NORMAL HEIGHT 1.2MM.  
5 INDICATED SURFACE TO BE USED AS PICK AND PLACE SURFACE.

THIS DRAWING IS A CONTROLLED DOCUMENT.

DWN 06July2010

Tony Zhang

CHK 06July2010

Xiang Xu

APVD 06July2010

Steven Yao

NAME

SPRING FINGER  
H=1,8

DIMENSIONS:

mm

TOLERANCES UNLESS  
OTHERWISE SPECIFIED:

0 PLC	±0.2
1 PLC	±0.1
2 PLC	±0.1
3 PLC	±0.05
4 PLC	±
ANGLES	±5°

MATERIAL

2

FINISH

3

PRODUCT SPEC

108-115008-3

APPLICATION SPEC

WEIGHT

-

SIZE

A3

CAGE CODE

00779

DRAWING NO

C=1551572

RESTRICTED TO

-

CUSTOMER DRAWING

SCALE 25:1

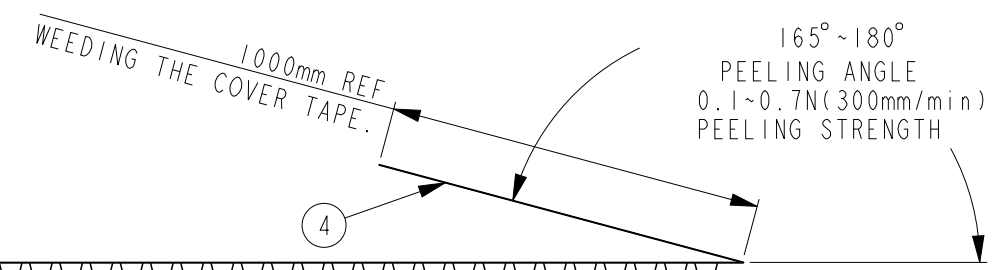
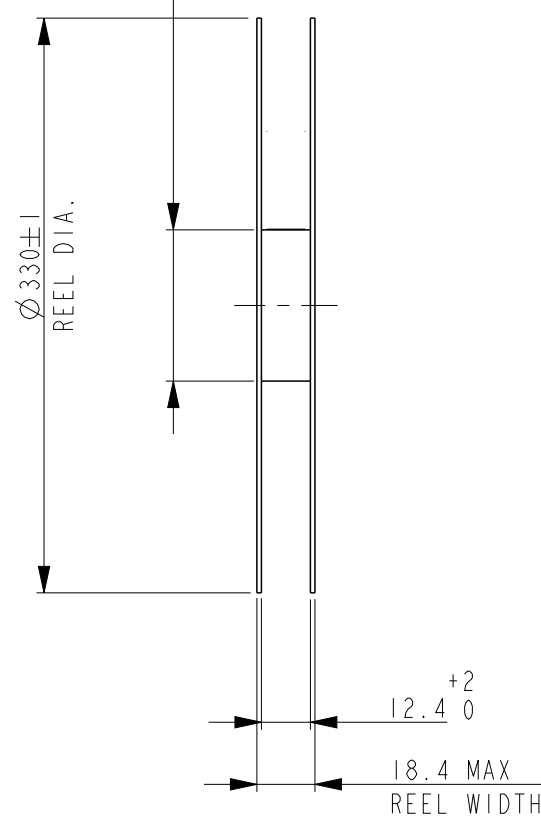
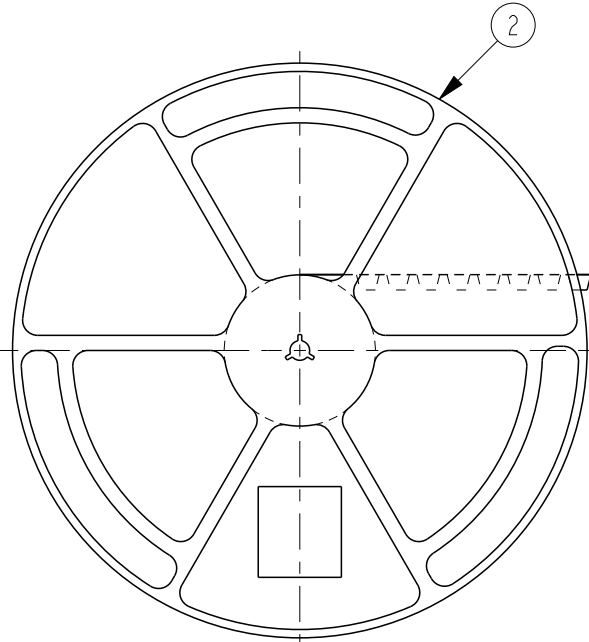
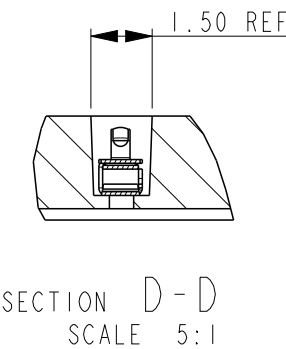
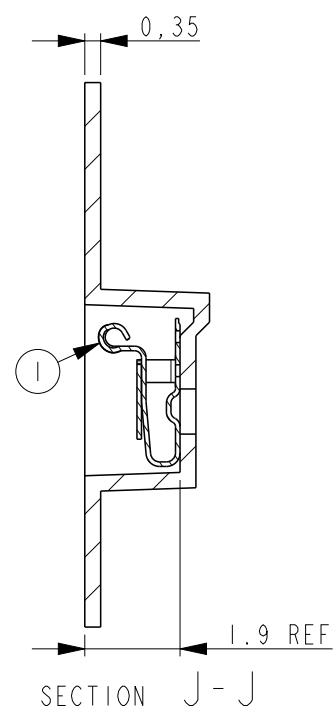
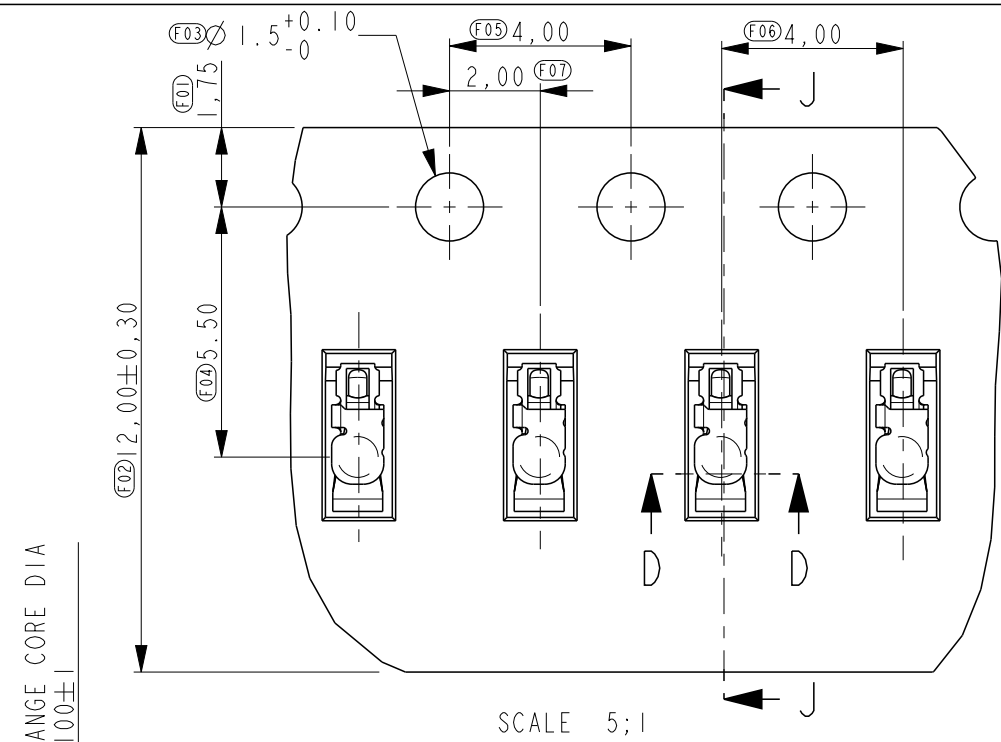
SHEET 1 OF 2

REV A1

1470-19 (3/11)

THIS DRAWING IS UNPUBLISHED. RELEASED FOR PUBLICATION  
 © COPYRIGHT - BY - ALL RIGHTS RESERVED.

LOC	DIST	REVISIONS			
P	LTR	DESCRIPTION	DATE	DWN	APVD
ES	00	SEE SHEET 1	-	-	-



1	COVER TAPE	(4)
1	EMBOSS	(3)
1	PLASTIC REEL	(2)
6000	SPRING FINGER	(1)
QTY	DESCRIPTION	ITEM

300 REF WITHOUT CHARGE      WITH PRODUCT CHARGE 6000EA/REEL      WITHOUT CHARGE 100~125HOLES

PACKAGING REEL AS SHOWN

THIS DRAWING IS A CONTROLLED DOCUMENT.		DWN		TE Connectivity	
DIMENSIONS: mm		CHK			
TOLERANCES UNLESS OTHERWISE SPECIFIED:		APVD			
0 PLC ±0.2 1 PLC ±0.1 2 PLC ±0.1 3 PLC ±0.05 4 PLC ± ANGLES ±5°		PRODUCT SPEC			
MATERIAL		FINISH		NAME	
				SPRING FINGER H=1,8	
				SIZE	RESTRICTED TO
				A3	-
				CAGE CODE	
				00779	
				DRAWING NO	
				C=1551572	
				WEIGHT	
				CUSTOMER DRAWING	
				SCALE	
				25:1	
				SHEET	
				2	
				OF	
				2	
				REV	
				A1	