



Chipsmall Limited consists of a professional team with an average of over 10 year of expertise in the distribution of electronic components. Based in Hongkong, we have already established firm and mutual-benefit business relationships with customers from,Europe,America and south Asia,supplying obsolete and hard-to-find components to meet their specific needs.

With the principle of “Quality Parts,Customers Priority,Honest Operation,and Considerate Service”,our business mainly focus on the distribution of electronic components. Line cards we deal with include Microchip,ALPS,ROHM,Xilinx,Pulse,ON,Everlight and Freescale. Main products comprise IC,Modules,Potentiometer,IC Socket,Relay,Connector.Our parts cover such applications as commercial,industrial, and automotives areas.

We are looking forward to setting up business relationship with you and hope to provide you with the best service and solution. Let us make a better world for our industry!



Contact us

Tel: +86-755-8981 8866 Fax: +86-755-8427 6832

Email & Skype: info@chipsmall.com Web: www.chipsmall.com

Address: A1208, Overseas Decoration Building, #122 Zhenhua RD., Futian, Shenzhen, China



THIS DRAWING IS UNPUBLISHED.

RELEASED FOR PUBLICATION

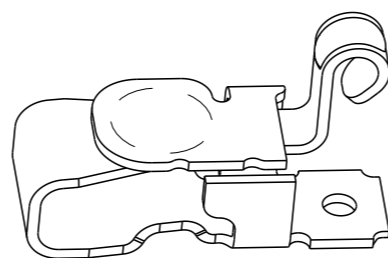
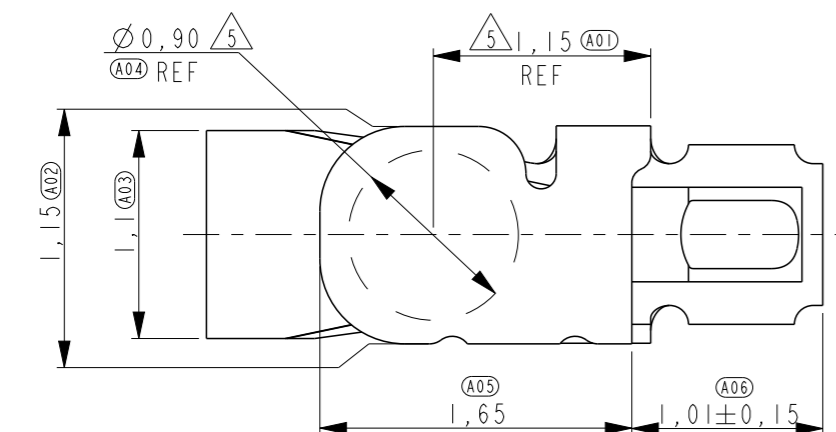
© COPYRIGHT -

ALL RIGHTS RESERVED.

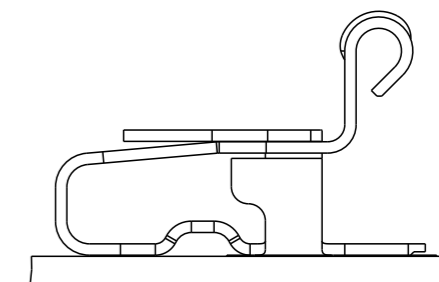
LOC ES DIST 00

REVISIONS

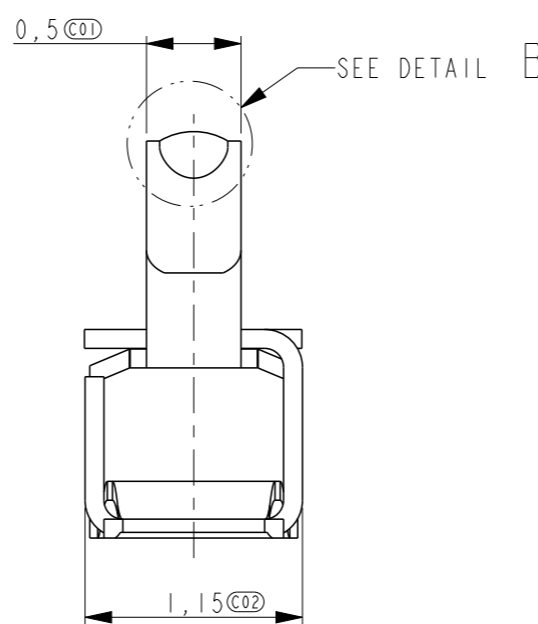
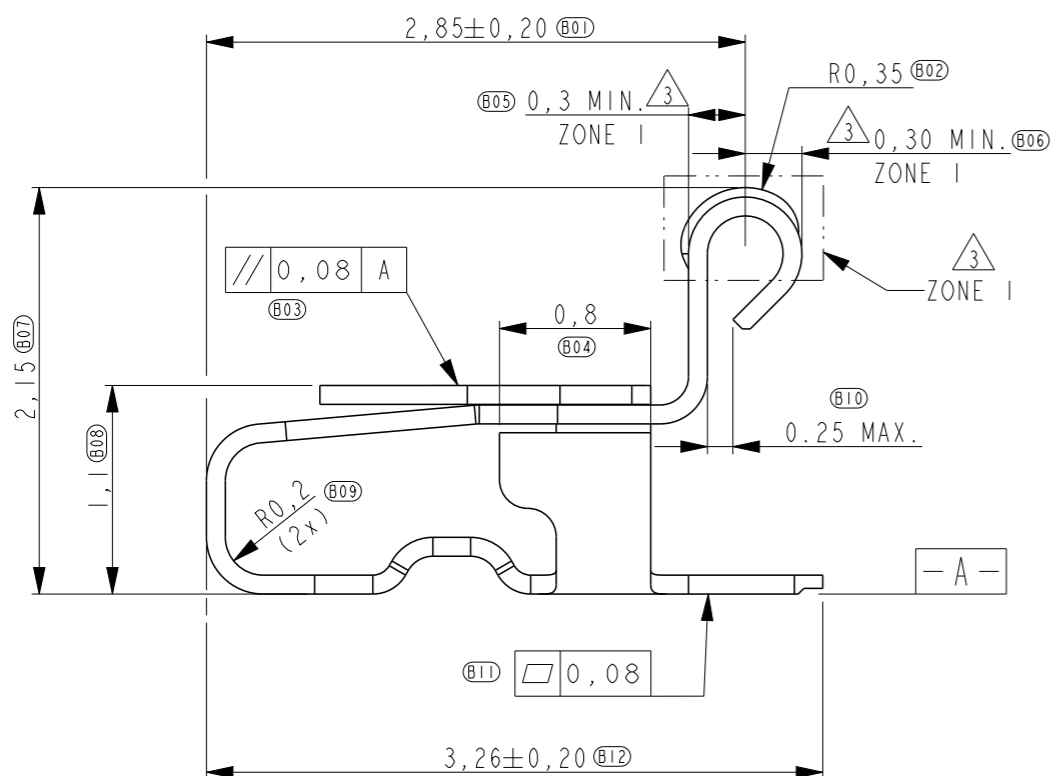
P	LTR	DESCRIPTION	DATE	DWN	APVD
	B	UPDATED	13SEP2011	T.Z	S.Y



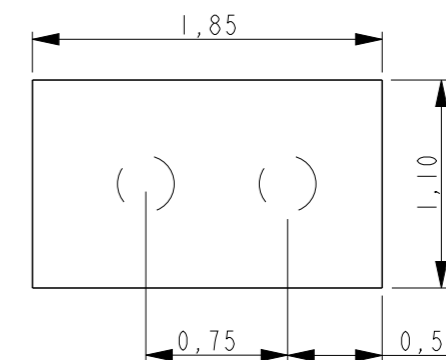
SCALE 15:1



SCALE 15:1 REFERENCE VIEW FOR COMPONENT PLACEMENT

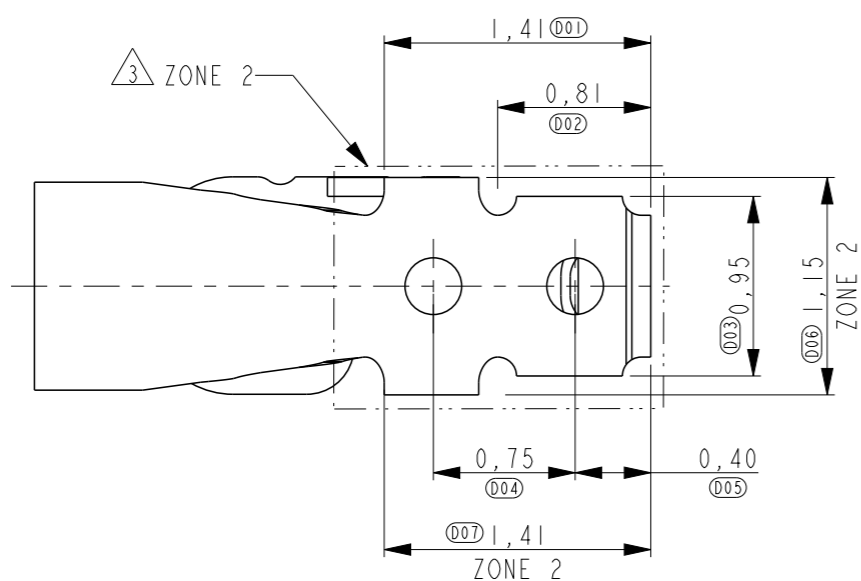


DETAIL B SCALE 50:1



RECOMMENDED PWB LAY-OUT (±0.05) DASHED CIRCLES ARE THE LOCATION OF THE SPRING FINGER BOTTOM HOLES

- 1 PART NUMBER: 1551573-5 AS SHOWN.
- 2 MATERIAL: STAINLESS STEEL.
- 3 PLATING: 1,3um MIN. NICKEL UNDERLAYER ALL OVER
ZONE 1: 0,50um MIN. GOLD
ZONE 2: 0,05-0,3um GOLD FLASH
- 4 NORMAL FORCE 0.6±0.2N AT NOMINAL HEIGHT 1.6MM.
- 5 INDICATED SURFACE TO BE USED AS PICK AND PLACE SURFACE.



THIS DRAWING IS A CONTROLLED DOCUMENT.		DWN 13 JUN 2010 Tony Zhang		TE Connectivity	
DIMENSIONS: mm		CHK 13 JUN 2010 Martin Li			
TOLERANCES UNLESS OTHERWISE SPECIFIED:		APVD 13 JUN 2010 Steven Yao		NAME SPRING FINGER H=2,15	
0 PLC ±0.2		PRODUCT SPEC 108-115008		SIZE A3	
1 PLC ±0.1		APPLICATION SPEC -		CAGE CODE C-1551573	
2 PLC ±0.1		WEIGHT -		DRAWING NO -	
3 PLC ±0.05		CUSTOMER DRAWING		RESTRICTED TO -	
4 PLC ±-		SCALE 25:1		SHEET 1 OF 2	
ANGLES ±5°		REV B			
FINISH					

THIS DRAWING IS UNPUBLISHED.

RELEASED FOR PUBLICATION

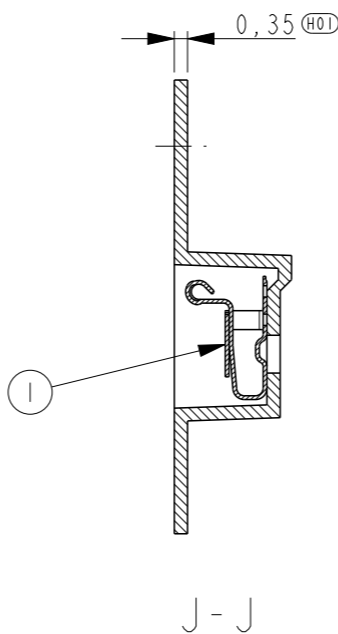
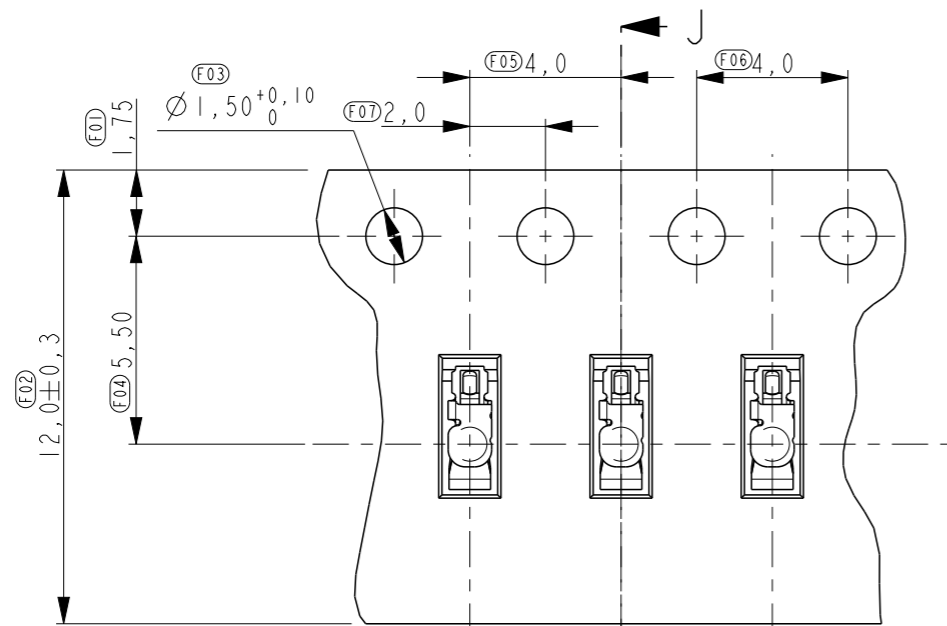
© COPYRIGHT -

ALL RIGHTS RESERVED.

LOC ES DIST 00

REVISIONS

P	LTR	DESCRIPTION	DATE	DWN	APVD
-	-	SEE SHEET 1	-	-	-



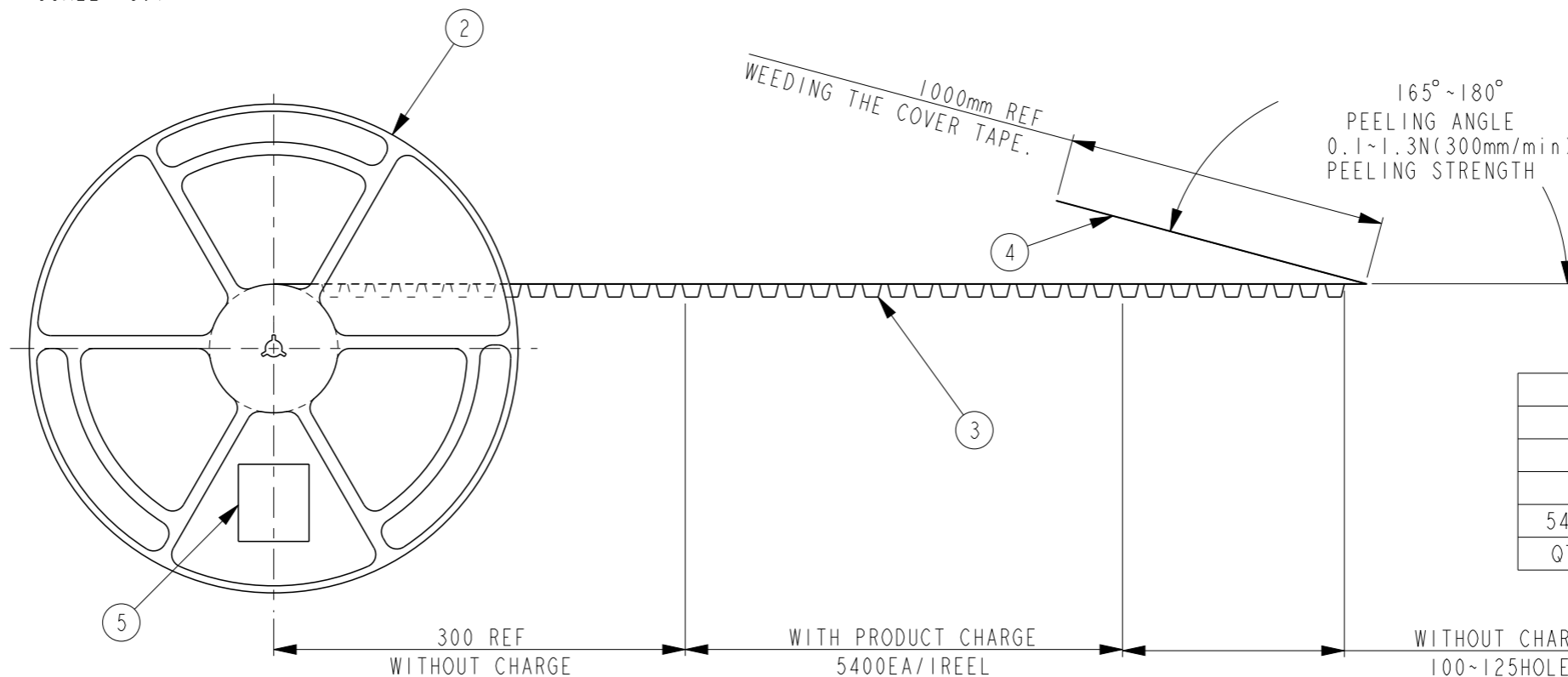
SCALE 5:1

FRANGE CORE DIA $\phi 100 \pm 1$

$\phi 330 \pm 1$ REEL DIA.

$+2$
12.4 0

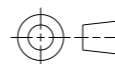
18.4 MAX
REEL WIDTH



I	LABEL	⑤
I	COVER TAPE	④
I	EMBOSS	③
I	PLASTIC REEL	②
5400	SPRING FINGER	①
QTY	DESCRIPTION	ITEM

THIS DRAWING IS A CONTROLLED DOCUMENT.

DIMENSIONS:
mm



TOLERANCES UNLESS OTHERWISE SPECIFIED:

0 PLC	± 0.2
1 PLC	± 0.1
2 PLC	± 0.1
3 PLC	± 0.05
4 PLC	\pm
ANGLES	$\pm 5^\circ$

MATERIAL -

FINISH -

DWN	
CHK	
APVD	
PRODUCT SPEC	
APPLICATION SPEC	
WEIGHT	
CUSTOMER DRAWING	

STE TE Connectivity

NAME

SPRING FINGER
H=2,15

SIZE

A3

CAGE CODE

DRAWING NO

C=1551573

RESTRICTED TO

-

SCALE 25:1

SHEET 2 OF 2

REV B