



Chipsmall Limited consists of a professional team with an average of over 10 year of expertise in the distribution of electronic components. Based in Hongkong, we have already established firm and mutual-benefit business relationships with customers from,Europe,America and south Asia,supplying obsolete and hard-to-find components to meet their specific needs.

With the principle of “Quality Parts,Customers Priority,Honest Operation,and Considerate Service”,our business mainly focus on the distribution of electronic components. Line cards we deal with include Microchip,ALPS,ROHM,Xilinx,Pulse,ON,Everlight and Freescale. Main products comprise IC,Modules,Potentiometer,IC Socket,Relay,Connector.Our parts cover such applications as commercial,industrial, and automotives areas.

We are looking forward to setting up business relationship with you and hope to provide you with the best service and solution. Let us make a better world for our industry!



Contact us

Tel: +86-755-8981 8866 Fax: +86-755-8427 6832

Email & Skype: info@chipsmall.com Web: www.chipsmall.com

Address: A1208, Overseas Decoration Building, #122 Zhenhua RD., Futian, Shenzhen, China



4

3

2

1

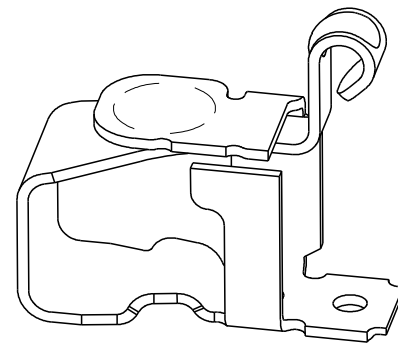
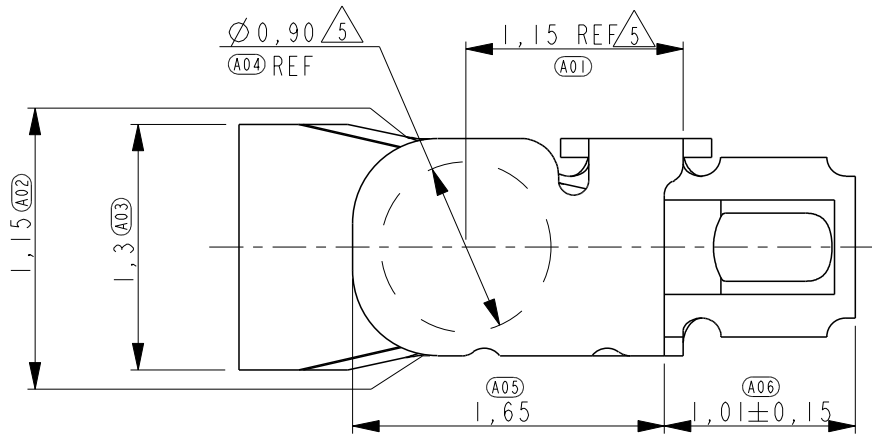
THIS DRAWING IS UNPUBLISHED.

RELEASED FOR PUBLICATION

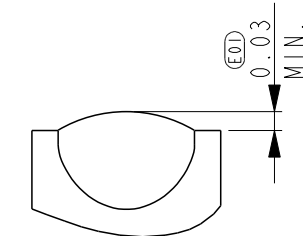
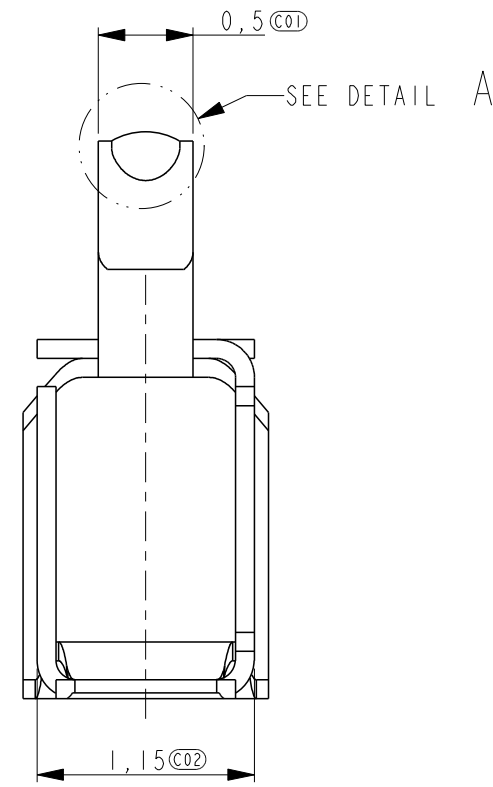
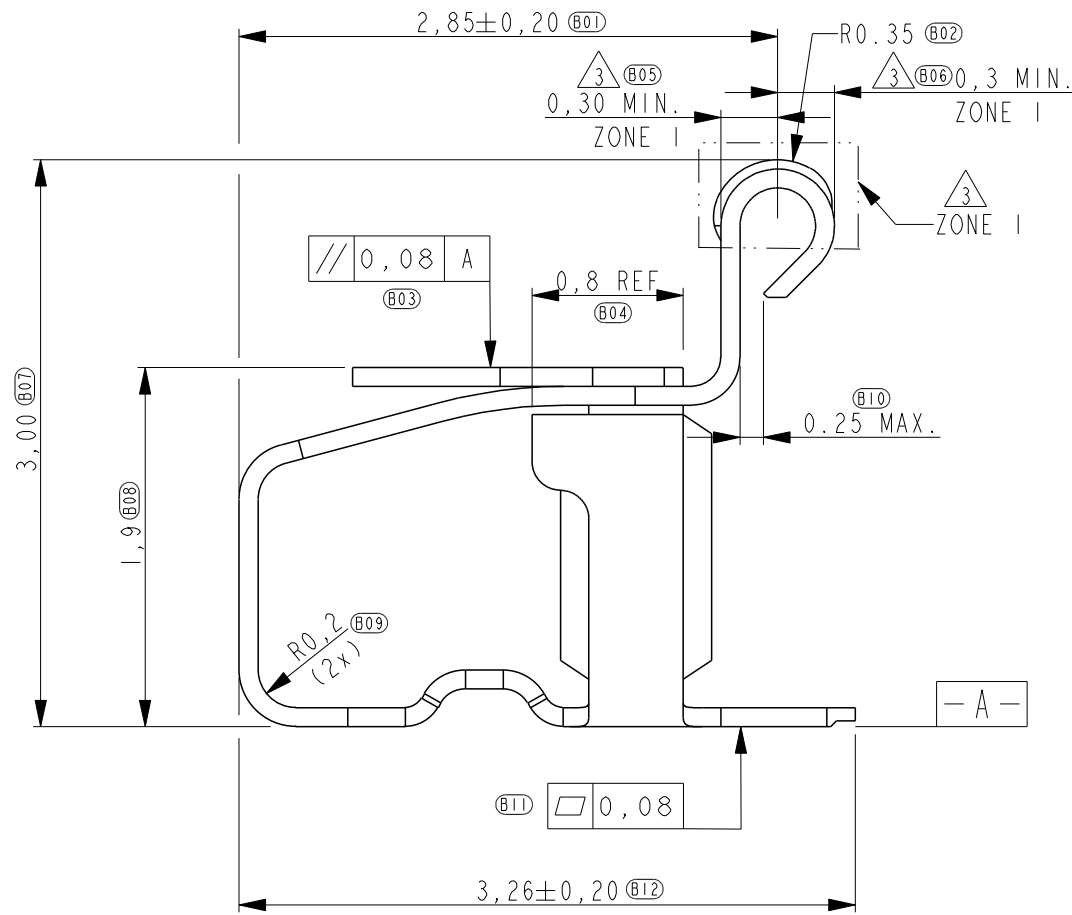
© COPYRIGHT - BY -

ALL RIGHTS RESERVED.

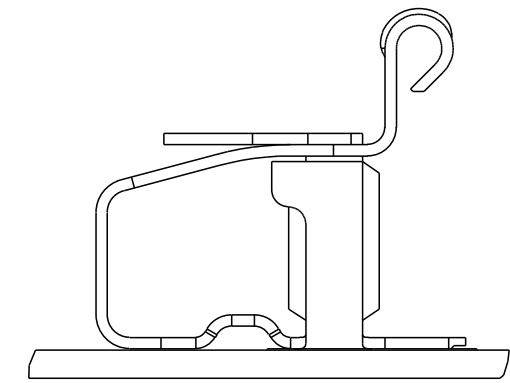
LOC	DIST	REVISIONS			
P	LTR	DESCRIPTION	DATE	DWN	APVD
ES	00	A	NEW RELEASE	18AUG2011	T.Z S.Y



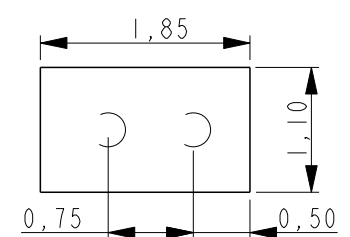
SCALE 15:1



DETAIL A SCALE 50:1

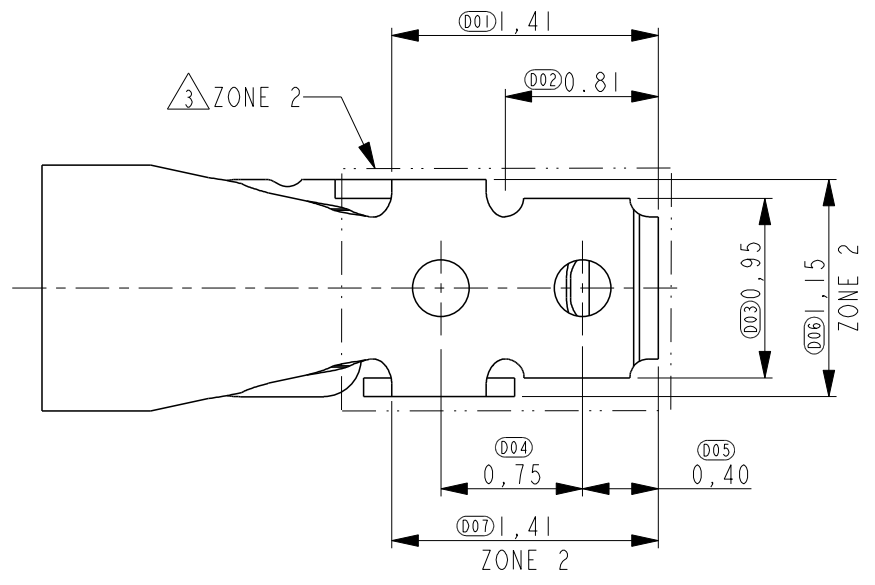


SCALE 15:1 REFERENCE VIEW FOR COMPONENT PLACEMENT



SCALE 15:1

RECOMMENDED PWB LAY-OUT (±0.05)
 DASHED CIRCLES ARE THE LOCATION OF THE SPRING FINGER BOTTOM HOLES



- 1 PART NUMBER: 1551575-5 AS SHOWN.
- 2 MATERIAL: STAINLESS STEEL.
- 3 PLATING: 1,3um MIN. NICKEL UNDERLAYER ALL OVER
 ZONE 1: 0,30um MIN. GOLD
 ZONE 2: 0.05-0.2um GOLD FLASH
- 4 NORMAL FORCE: 0.6 ± 0.2N AT NOMINAL HEIGHT 2.4MM
- 5 INDICATED SURFACE TO BE USED AS PICK AND PLACE SURFACE.

THIS DRAWING IS A CONTROLLED DOCUMENT.		DWN	22JUN2010	STE TE Connectivity														
		CHK	Tony Zhang															
		APVD	Harada Yohei															
		APVD	Steven Yao															
DIMENSIONS:	TOLERANCES UNLESS OTHERWISE SPECIFIED:	NAME		SPRING FINGER H=3.0mm														
mm		108-115008																
<table border="0"> <tr><td>0 PLC</td><td>±0.2</td></tr> <tr><td>1 PLC</td><td>±0.1</td></tr> <tr><td>2 PLC</td><td>±0.1</td></tr> <tr><td>3 PLC</td><td>±0.05</td></tr> <tr><td>4 PLC</td><td>±</td></tr> <tr><td>ANGLES</td><td>±5°</td></tr> </table>		0 PLC	±0.2	1 PLC	±0.1	2 PLC	±0.1	3 PLC	±0.05	4 PLC	±	ANGLES	±5°	PRODUCT SPEC	SIZE	CAGE CODE	DRAWING NO	RESTRICTED TO
0 PLC	±0.2																	
1 PLC	±0.1																	
2 PLC	±0.1																	
3 PLC	±0.05																	
4 PLC	±																	
ANGLES	±5°																	
MATERIAL	FINISH	108-115008	-	A3	00779	C=1551575	-											
		WEIGHT	0.0095	CUSTOMER DRAWING		SCALE	SHEET	OF	REV									
						25:1	1	2	A									

4

3

2

1

THIS DRAWING IS UNPUBLISHED.

RELEASED FOR PUBLICATION

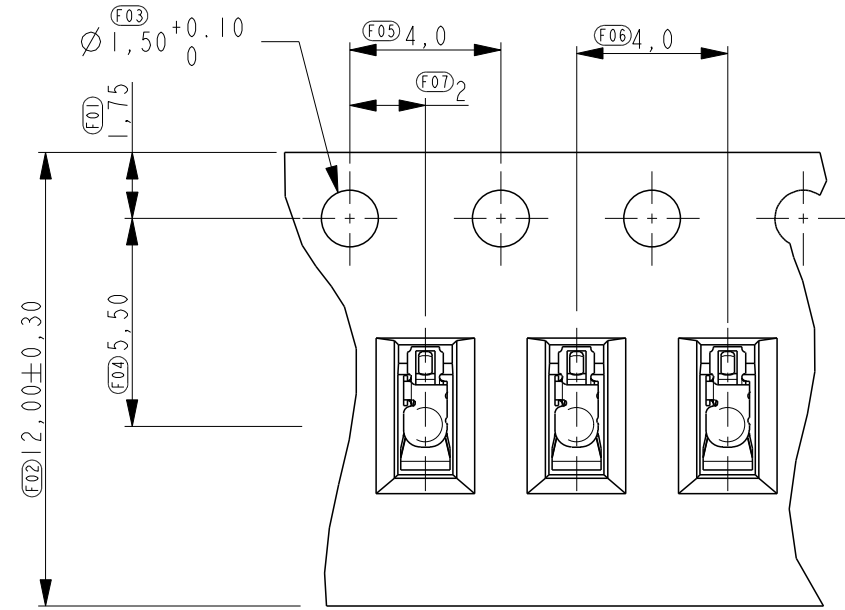
© COPYRIGHT - BY -

ALL RIGHTS RESERVED.

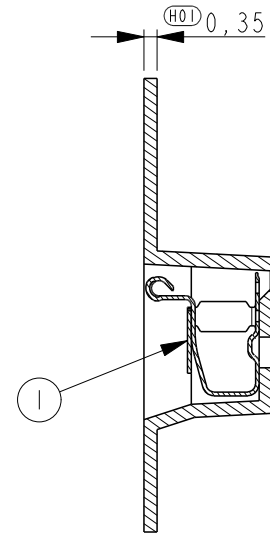
LOC ES DIST 00

REVISIONS

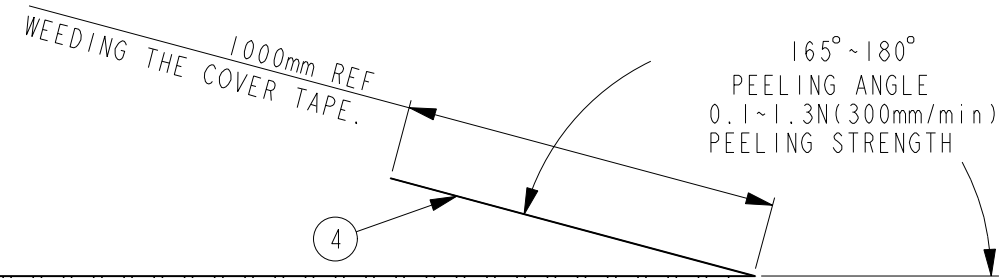
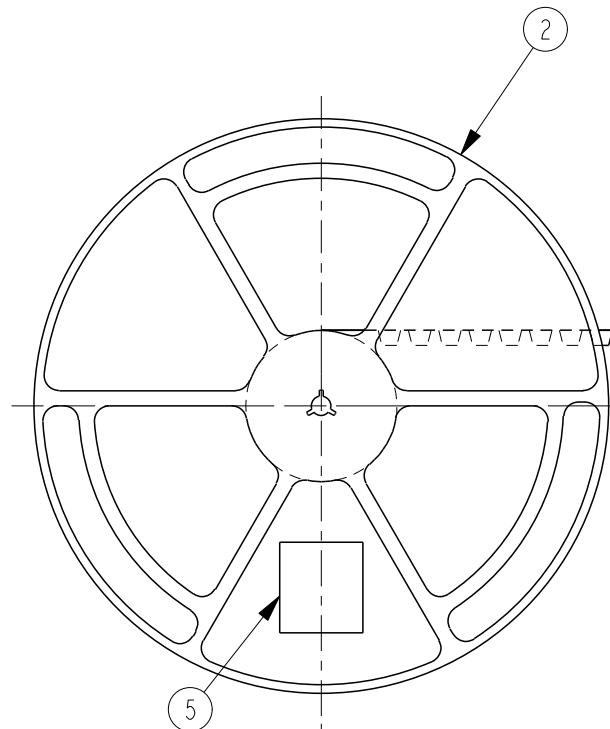
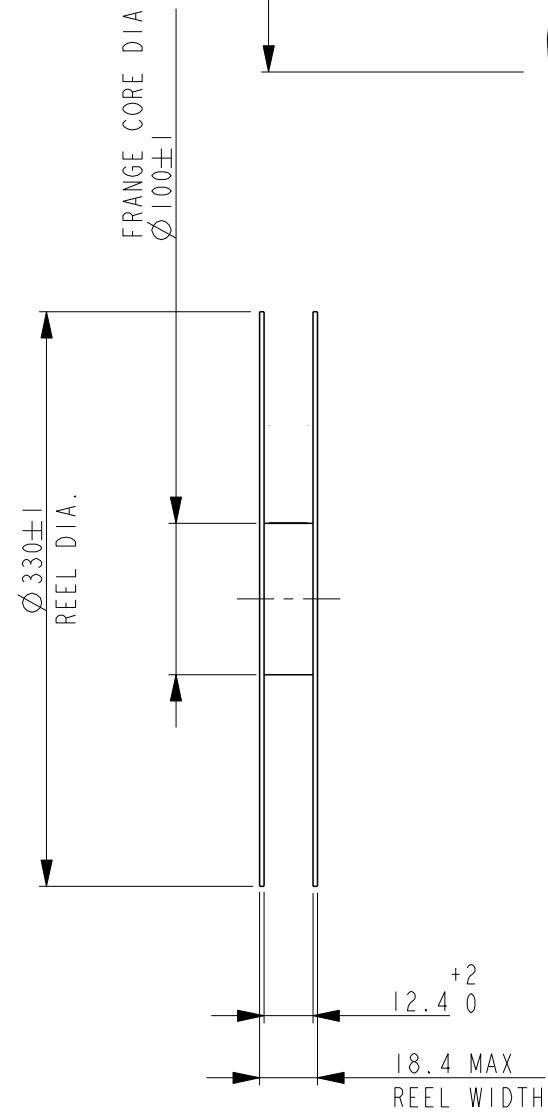
P	LTR	DESCRIPTION	DATE	DWN	APVD
-	-	SEE SHEET 1	-	-	-



SCALE 5:1



SECTION C-C



I	LABEL	5
I	COVER TAPE	4
I	EMBOSS	3
I	PLASTIC REEL	2
4000	SPRING FINGER	1
QTY	DESCRIPTION	ITEM

300 REF WITHOUT CHARGE

WITH PRODUCT CHARGE 4000EA/IREEL

WITHOUT CHARGE 100~125HOLES

THIS DRAWING IS A CONTROLLED DOCUMENT.

DIMENSIONS:	TOLERANCES UNLESS OTHERWISE SPECIFIED:
mm	0 PLC ±0.2
	1 PLC ±0.1
	2 PLC ±0.1
	3 PLC ±0.05
	4 PLC ±
	ANGLES ±5°

MATERIAL - FINISH -

DWN	
CHK	
APVD	
PRODUCT SPEC	
APPLICATION SPEC	
WEIGHT	

STE TE Connectivity

NAME			SPRING FINGER H=3.0mm		
SIZE	CAGE CODE	DRAWING NO	RESTRICTED TO		
A3	00779	C=1551575	-		

CUSTOMER DRAWING SCALE 25:1 SHEET 2 OF 2 REV A