



Chipsmall Limited consists of a professional team with an average of over 10 year of expertise in the distribution of electronic components. Based in Hongkong, we have already established firm and mutual-benefit business relationships with customers from,Europe,America and south Asia,supplying obsolete and hard-to-find components to meet their specific needs.

With the principle of "Quality Parts,Customers Priority,Honest Operation,and Considerate Service",our business mainly focus on the distribution of electronic components. Line cards we deal with include Microchip,ALPS,ROHM,Xilinx,Pulse,ON,Everlight and Freescale. Main products comprise IC,Modules,Potentiometer,IC Socket,Relay,Connector.Our parts cover such applications as commercial,industrial, and automotives areas.

We are looking forward to setting up business relationship with you and hope to provide you with the best service and solution. Let us make a better world for our industry!



Contact us

Tel: +86-755-8981 8866 Fax: +86-755-8427 6832

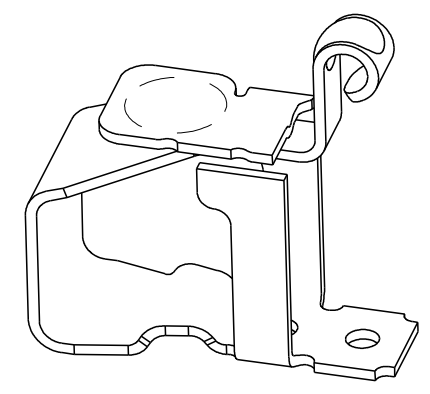
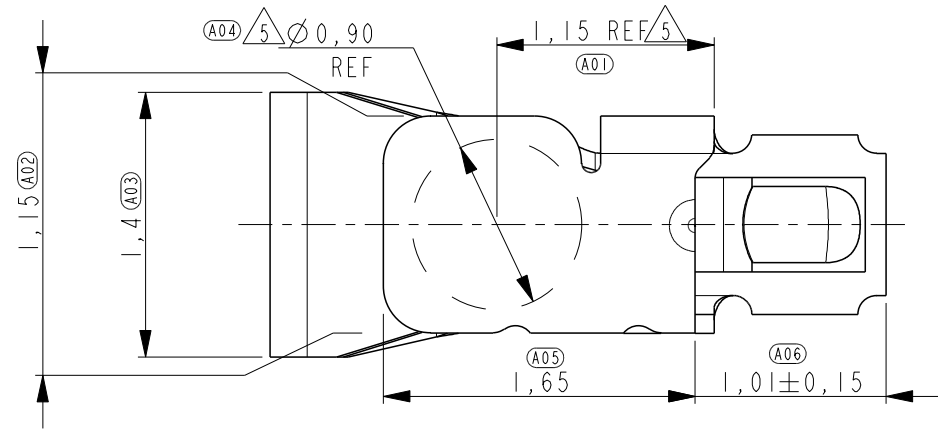
Email & Skype: info@chipsmall.com Web: www.chipsmall.com

Address: A1208, Overseas Decoration Building, #122 Zhenhua RD., Futian, Shenzhen, China

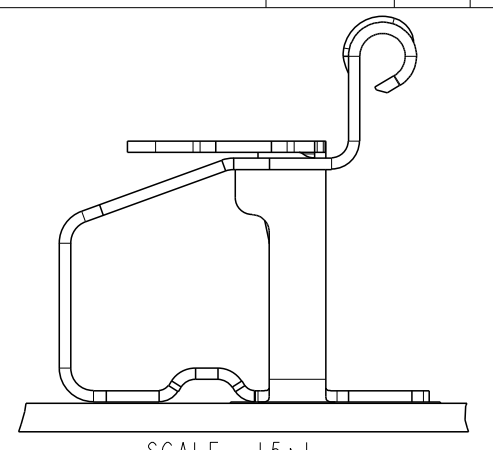


THIS DRAWING IS UNPUBLISHED. RELEASED FOR PUBLICATION
 © COPYRIGHT - BY - ALL RIGHTS RESERVED.

LOC	DIST	REVISIONS			
P	LTR	DESCRIPTION	DATE	DWN	APVD
ES	00	A	NEW RELEASE	7DEC2012	T.Z S.Y
		AI	UPDATED PER ECR-14-004955	27JUL2014	T.Q W.K

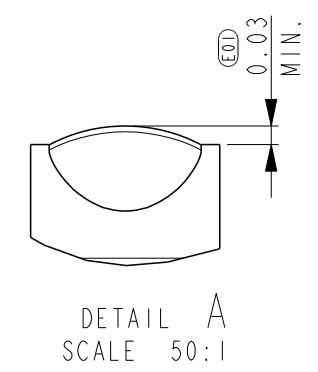
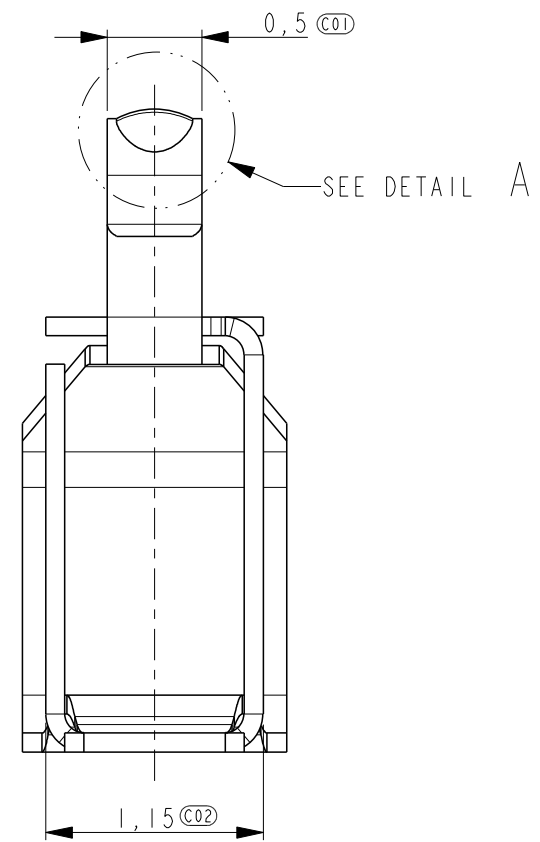
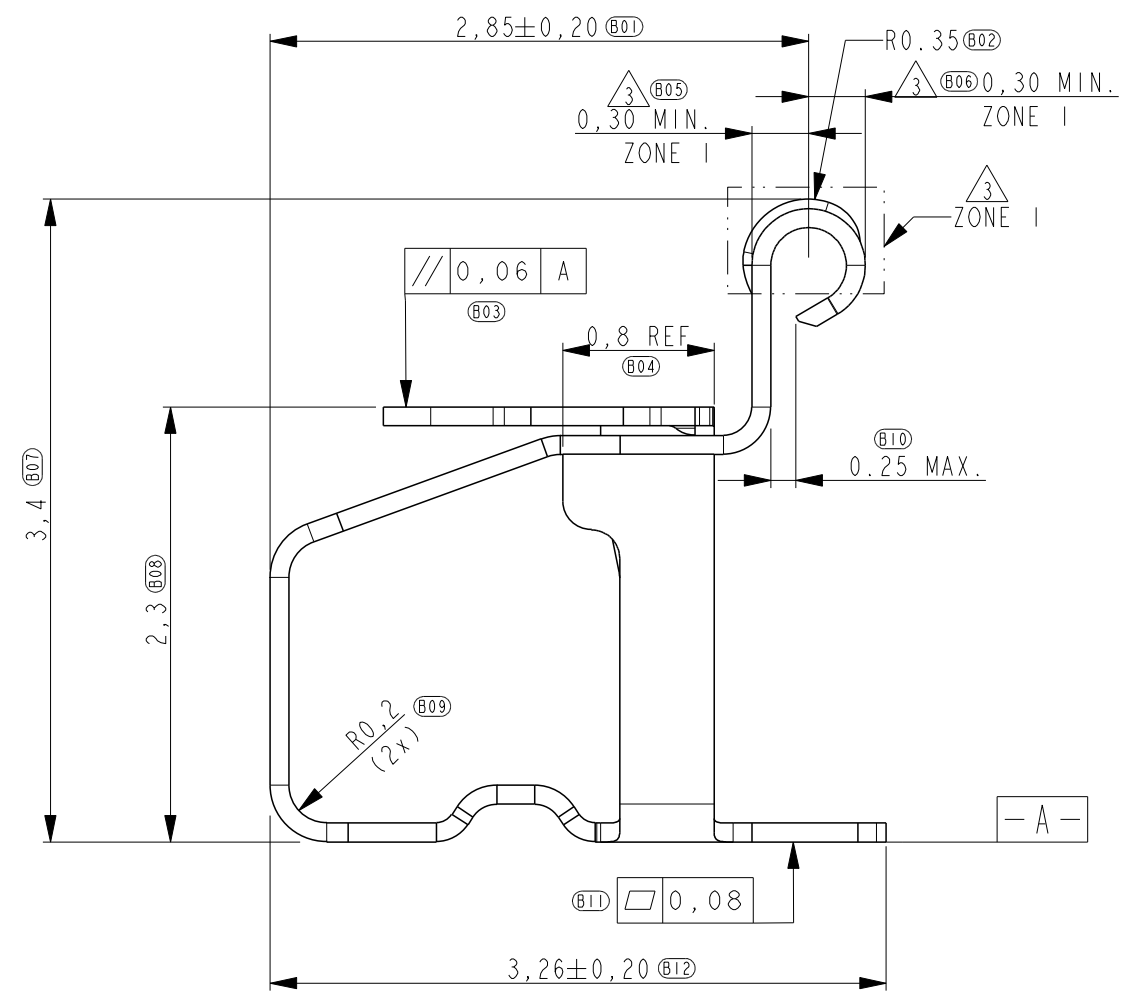


SCALE 15:1

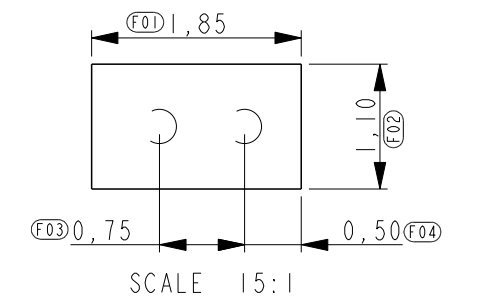


SCALE 15:1

REFERENCE VIEW FOR COMPONENT PLACEMENT



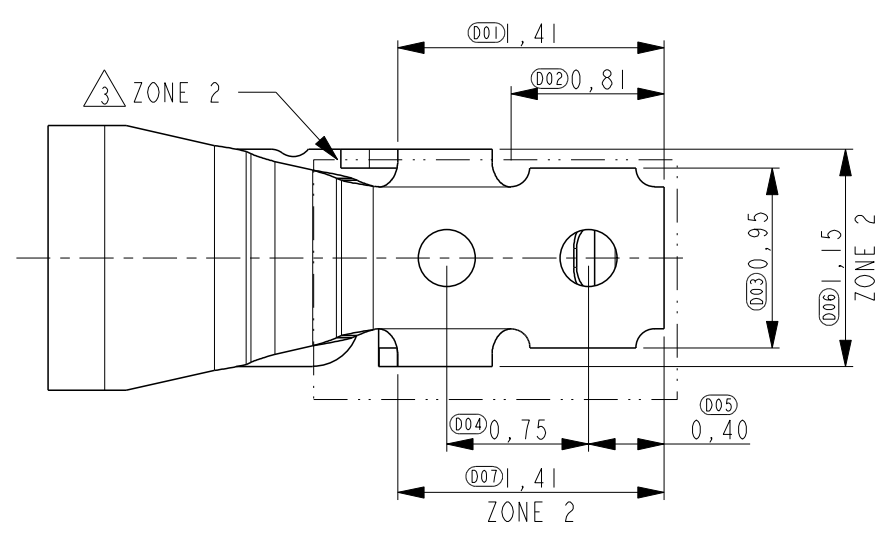
DETAIL A
SCALE 50:1



SCALE 15:1

RECOMMENDED PWB LAY-OUT (±0.05)
 DASHED CIRCLES ARE THE LOCATION OF THE SPRING FINGER BOTTOM HOLES

- 1 PART NUMBER: 1551576-5 AS SHOWN.
- 2 MATERIAL: STAINLESS STEEL.
- 3 PLATING: 1,3um MIN. NICKEL UNDERLAYER ALL OVER
 ZONE 1: 0,30um MIN. GOLD
 ZONE 2: 0,01-0,2um GOLD FLASH
- 4 NORMAL FORCE: 0.6±0.2N AT NORMAL HEIGHT 2.8MM.
- 5 INDICATED SURFACE TO BE USED AS PICK AND PLACE SURFACE.

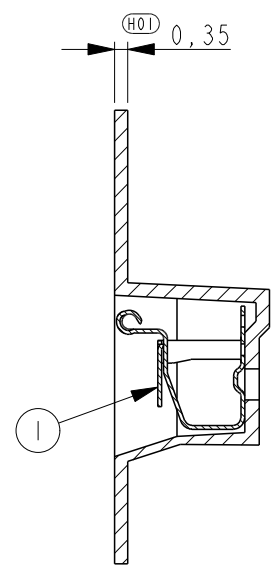
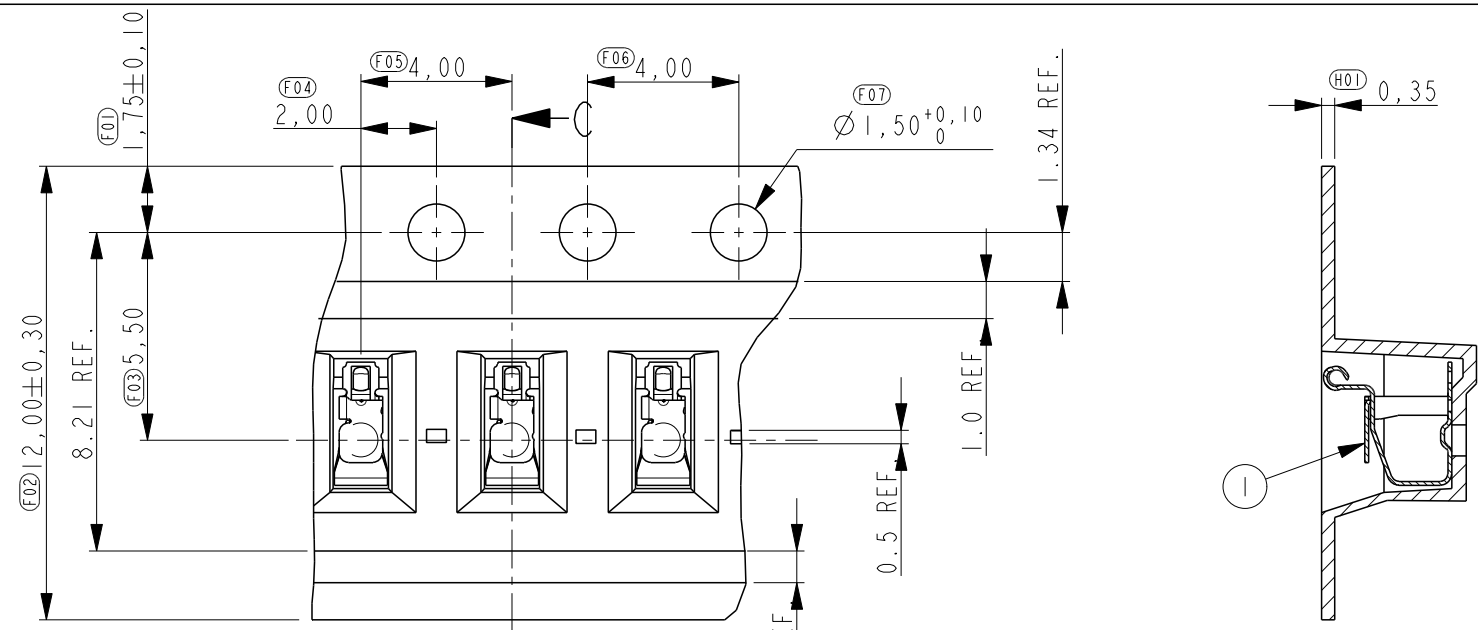


THIS DRAWING IS A CONTROLLED DOCUMENT.		DWN 15NOV2011 Tony Zhang		TE Connectivity	
DIMENSIONS: mm		CHK 15NOV2011 Xu Xiang			
TOLERANCES UNLESS OTHERWISE SPECIFIED:		APVD 15NOV2011 Steven Yao		NAME	
0 PLC ±0.2		PRODUCT SPEC		SPRING FINGER	
1 PLC ±0.1		108-115008		H=3,40	
2 PLC ±0.1		APPLICATION SPEC		-	
3 PLC ±0.05		WEIGHT		RESTRICTED TO	
4 PLC ±-		-		-	
ANGLES ±5°		SIZE A3		CAGE CODE 00779	
FINISH		DRAWING NO		DRAWING NO	
-		-		C=1551576	
-		CUSTOMER DRAWING		SCALE 25:1	
-		-		SHEET 1 OF 2	
-		-		REV AI	

THIS DRAWING IS UNPUBLISHED. RELEASED FOR PUBLICATION

© COPYRIGHT - BY - ALL RIGHTS RESERVED.

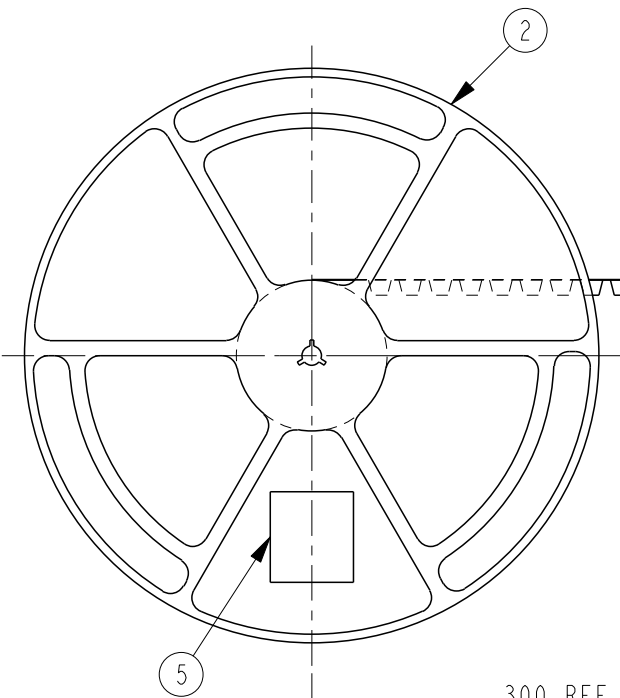
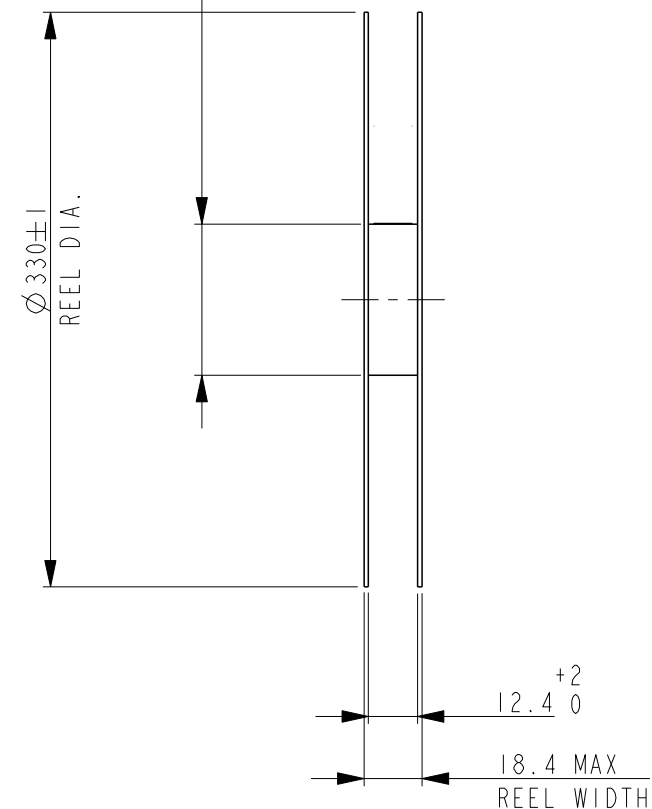
LOC	DIST	REVISIONS			
P	LTR	DESCRIPTION	DATE	DWN	APVD
ES	00	SEE SHEET 1	-	-	-



FRANGE CORE DIA
Ø 100 ± 1

SCALE 5:1

SECTION C-C



1000mm REF
WEEDING THE COVER TAPE.

165°~180°
PEELING ANGLE
0.1~1.3N(300mm/min)
PEELING STRENGTH

300 REF WITHOUT CHARGE WITH PRODUCT CHARGE 4000EA/IREEL WITHOUT CHARGE 100~125HOLES

1	LABEL	(5)
1	COVER TAPE (HEAT SEALING)	(4)
1	EMBOSS	(3)
1	PLASTIC REEL	(2)
4000	SPRING FINGER	(1)
QTY	DESCRIPTION	ITEM

THIS DRAWING IS A CONTROLLED DOCUMENT.

DWN _____
CHK _____
APVD _____
PRODUCT SPEC _____
APPLICATION SPEC _____
WEIGHT _____

STE TE Connectivity

NAME: SPRING FINGER H=3,40

SIZE: A3 CAGE CODE: 00779 DRAWING NO: C-1551576 RESTRICTED TO: -

CUSTOMER DRAWING SCALE: 25:1 SHEET 2 OF 2 REV A1