



Chipsmall Limited consists of a professional team with an average of over 10 year of expertise in the distribution of electronic components. Based in Hongkong, we have already established firm and mutual-benefit business relationships with customers from,Europe,America and south Asia,supplying obsolete and hard-to-find components to meet their specific needs.

With the principle of “Quality Parts,Customers Priority,Honest Operation,and Considerate Service”,our business mainly focus on the distribution of electronic components. Line cards we deal with include Microchip,ALPS,ROHM,Xilinx,Pulse,ON,Everlight and Freescale. Main products comprise IC,Modules,Potentiometer,IC Socket,Relay,Connector.Our parts cover such applications as commercial,industrial, and automotives areas.

We are looking forward to setting up business relationship with you and hope to provide you with the best service and solution. Let us make a better world for our industry!



## Contact us

Tel: +86-755-8981 8866 Fax: +86-755-8427 6832

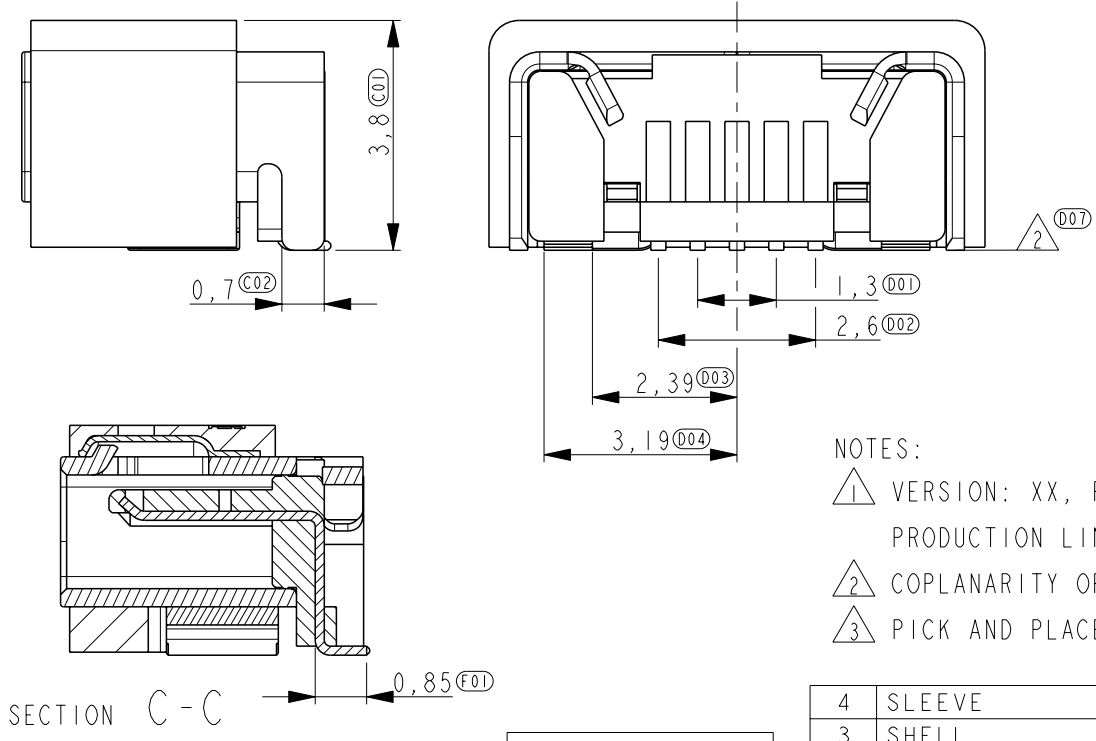
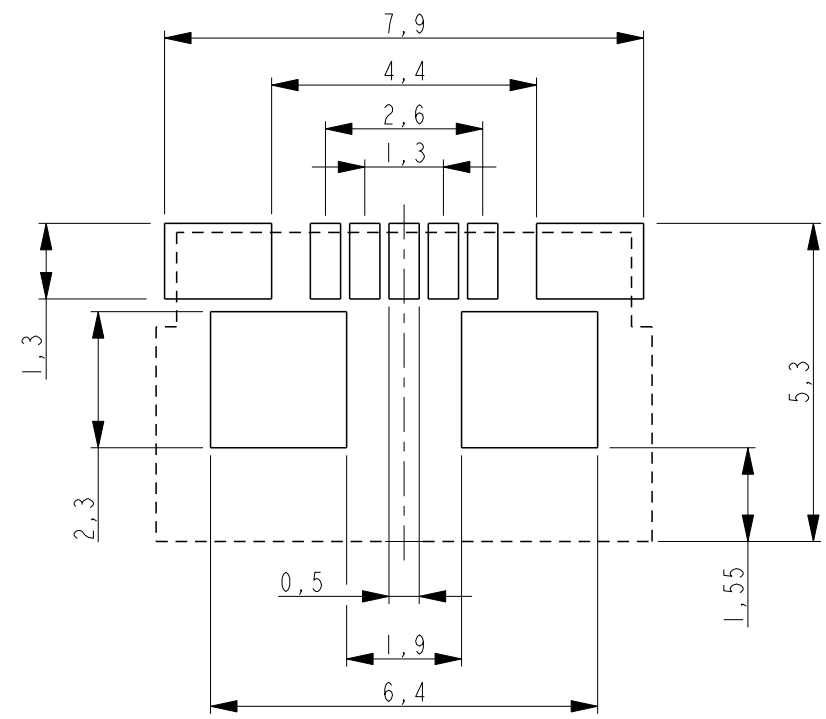
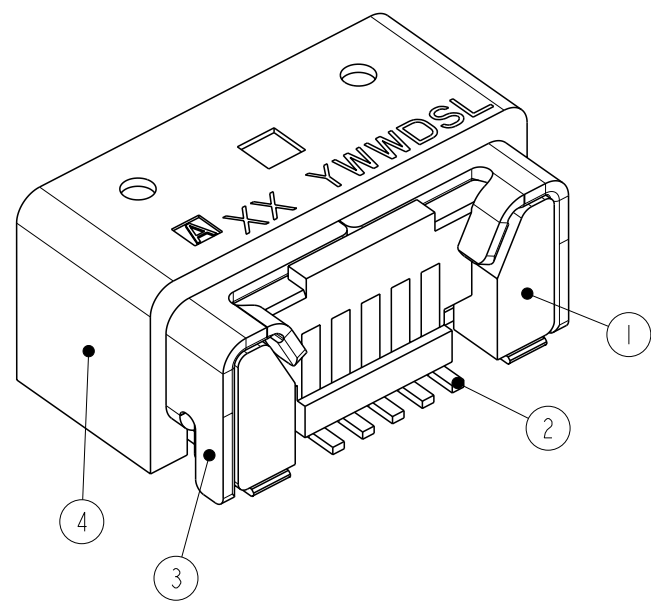
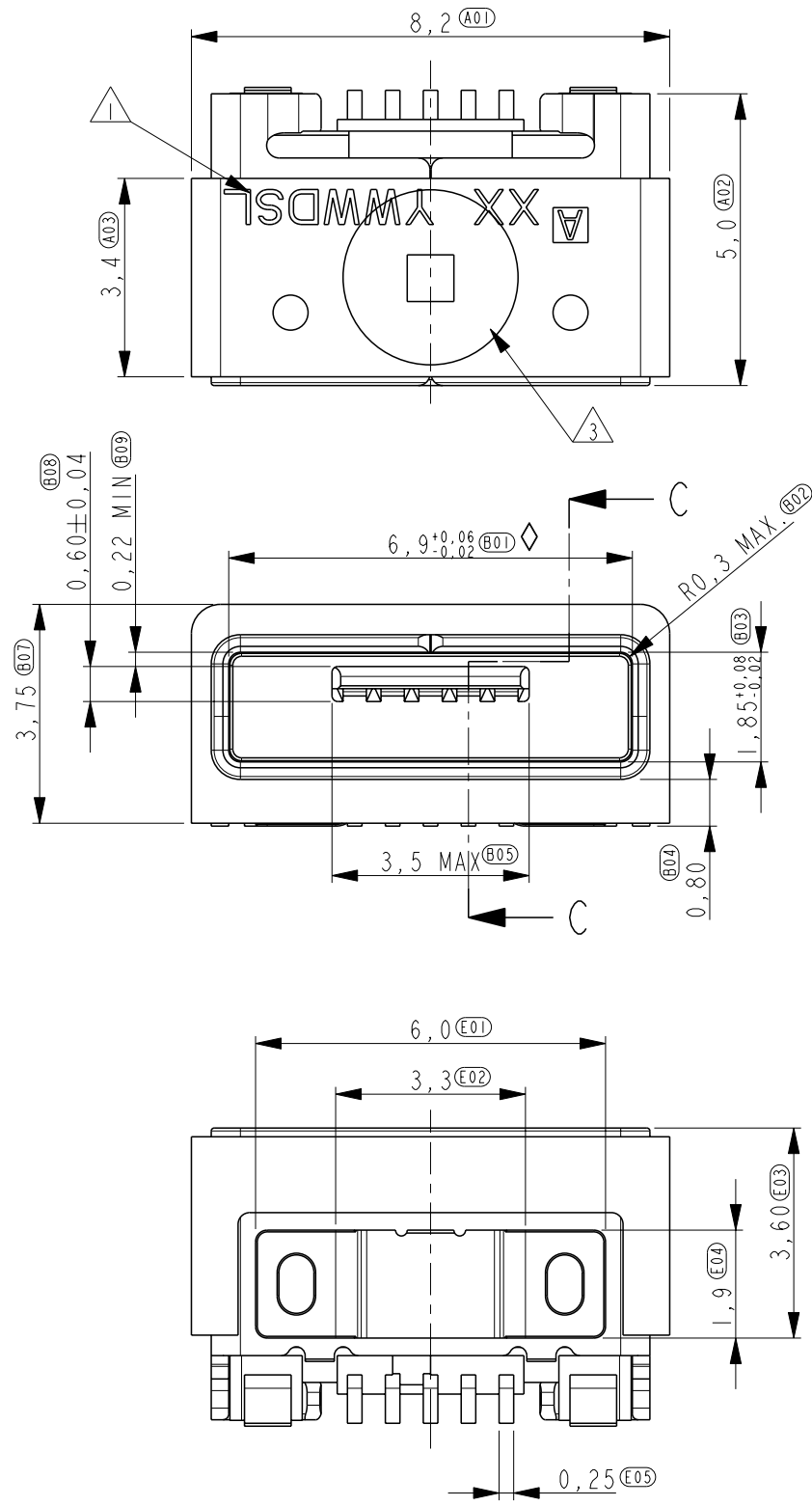
Email & Skype: info@chipsmall.com Web: www.chipsmall.com

Address: A1208, Overseas Decoration Building, #122 Zhenhua RD., Futian, Shenzhen, China



THIS DRAWING IS UNPUBLISHED. RELEASED FOR PUBLICATION 20  
 © COPYRIGHT 20 BY - ALL RIGHTS RESERVED.

LOC		DIST		REVISIONS			
P	LTR	DESCRIPTION	DATE	DWN	APVD		
-	-	-	-	-	-		
	A	ECR-12-012496	11JUL2012	JvH	DH		
	B	ECR-12-014942	22AUG2012	WJ	DH		
	B1	ECR-12-015266	28AUG2012	WJ	DH		
	B2	ECR-13-013765	30AUG2013	JvH	DH		



NOTES:  
 △ VERSION: XX, PRODUCTION DATE: YYWW, SHIFT CODE: S, PRODUCTION LINE NO: L.  
 ② COPLANARITY OF 11 SOLDER SURFACES 0,08 MAX.  
 ③ PICK AND PLACE AREA Ø3

TE PN: 1551629-2  
 TE PN FOR LOW MOQ: 1551629-3

THIS DRAWING IS A CONTROLLED DOCUMENT.

DIMENSIONS:		TOLERANCES UNLESS OTHERWISE SPECIFIED:	
mm			
0 PLC	±0,2		
1 PLC	±0,1		
2 PLC	±0,1		
3 PLC	±0,025		
4 PLC	±0,001		
ANGLES	±2°		
MATERIAL	-	FINISH	-

ITEM NO.	DESCRIPTION	MATERIAL	FINISH
4	SLEEVE	LCP	
3	SHELL	STAINLESS STEEL	Tin over Nickel plating
2	CONTACT	COPPER ALLOY	Gold over Nickel plating
1	HOUSING	LCP	

DWN	04APR2010	 TE Connectivity	NAME SPLASH-PROOF MICRO USB AB-TYPE 0,8 mm OFFSET		
CHK	04APR2010				
APVD	04APR2010				
PRODUCT SPEC					
APPLICATION SPEC		SIZE	CAGE CODE	DRAWING NO	RESTRICTED TO
WEIGHT	0,33 gr	A3	00779	C=1551629	-
Customer Drawing		SCALE	8:1	SHEET	1 OF 3
				REV	B2

THIS DRAWING IS UNPUBLISHED.

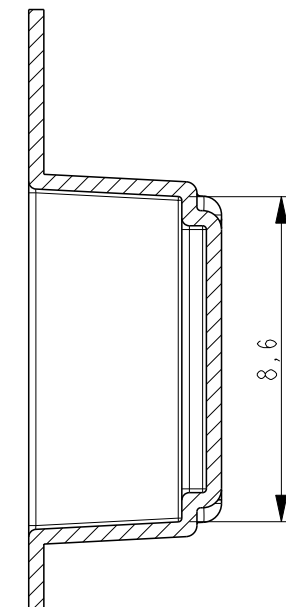
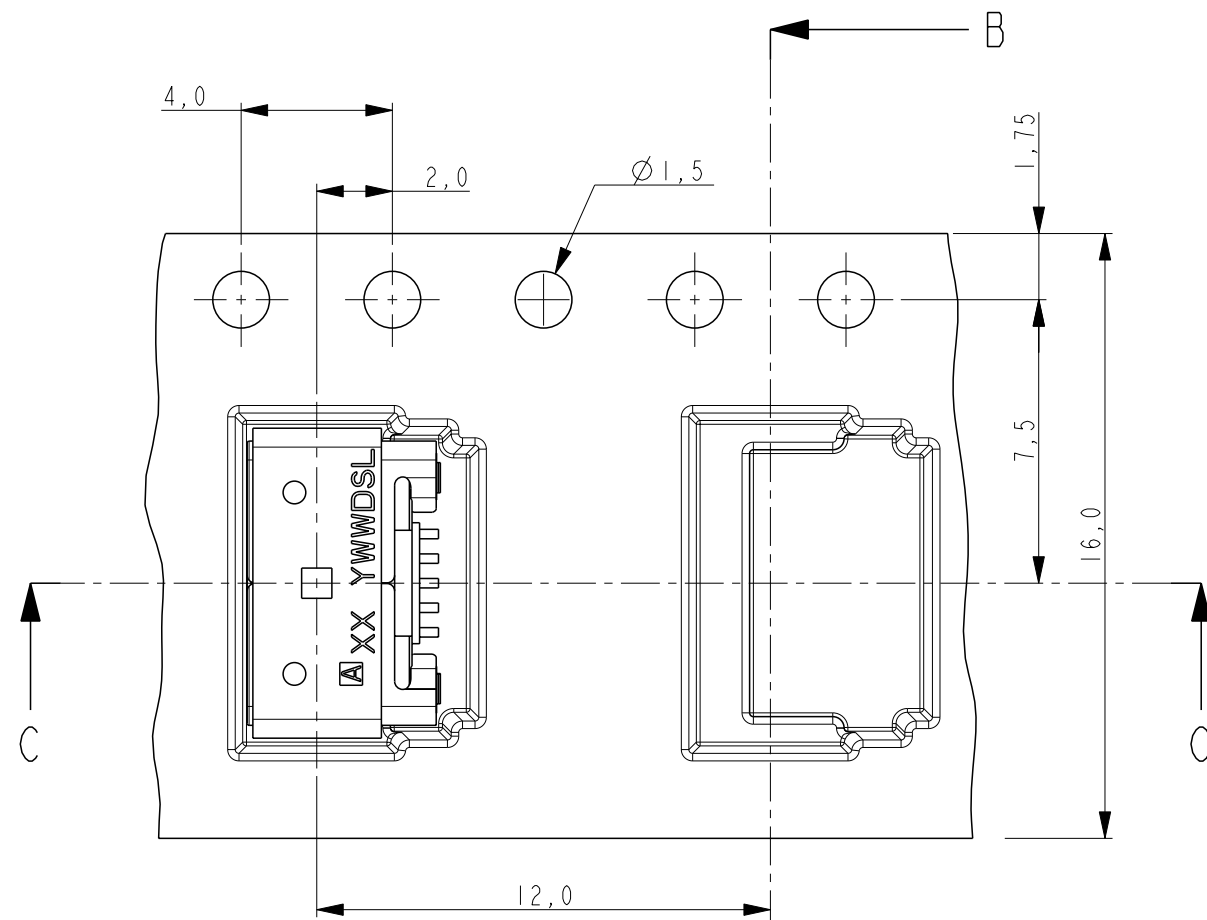
RELEASED FOR PUBLICATION

20

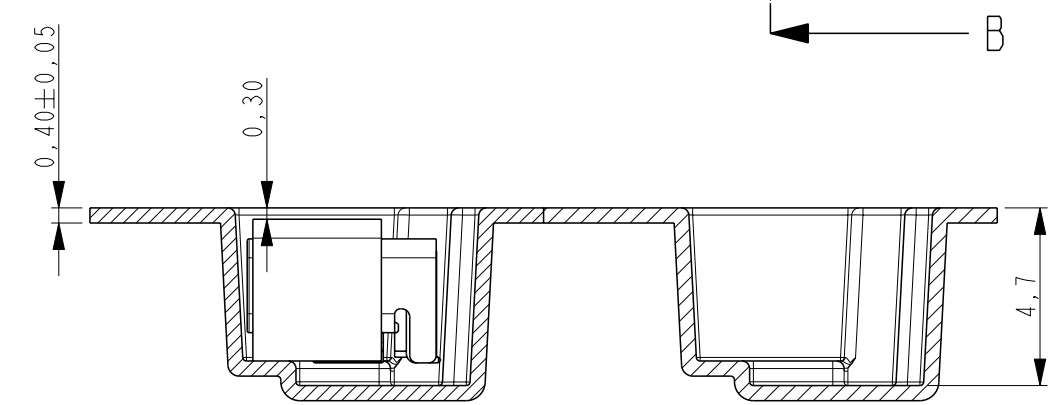
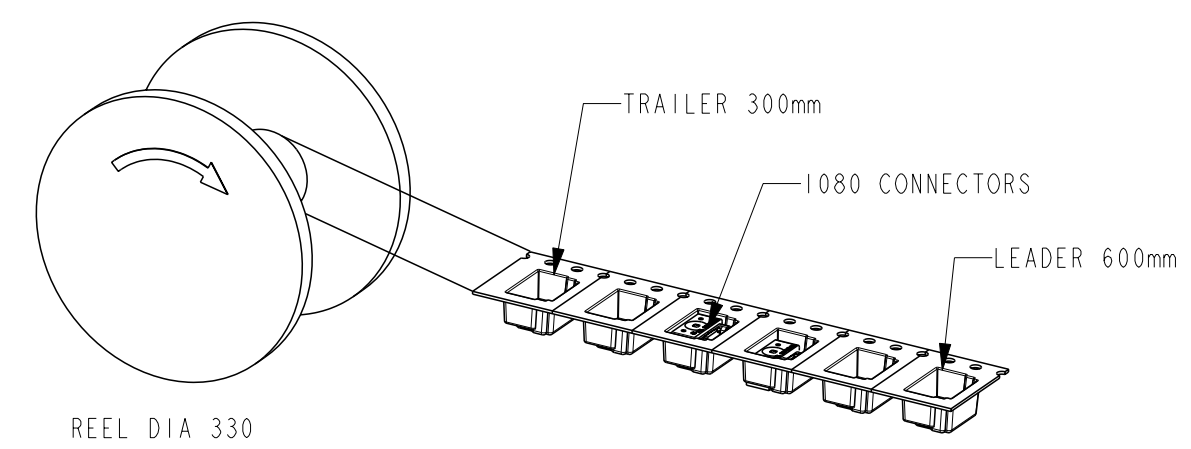
© COPYRIGHT 20 BY -

ALL RIGHTS RESERVED.

LOC	DIST	REVISIONS				
P	LTR	DESCRIPTION	DATE	DWN	APVD	
-	-	SEE SHEET 1	-	-	-	



SECTION B-B



SECTION C-C

NOTES: COVER, EMOSS TAPE AND REEL ACCODING EIA STANDARD 481-D

THIS DRAWING IS A CONTROLLED DOCUMENT.		DWN W. Jansen 04APR2010	<b>TE Connectivity</b>			
DIMENSIONS: mm		CHK W. Jansen 04APR2010				
TOLERANCES UNLESS OTHERWISE SPECIFIED:		APVD D. Halberstadt 04APR2010	NAME SPLASH-PROOF MICRO USB AB-TYPE 0,8 mm OFFSET			
		PRODUCT SPEC -	RESTRICTED TO -			
MATERIAL -		FINISH -	APPLICATION SPEC -	SIZE A3	CAGE CODE 00779	DRAWING NO C=1551629
WEIGHT 0,33 gr		Customer Drawing		SCALE 8:1	SHEET 2 OF 3	REV B2

THIS DRAWING IS UNPUBLISHED.

RELEASED FOR PUBLICATION

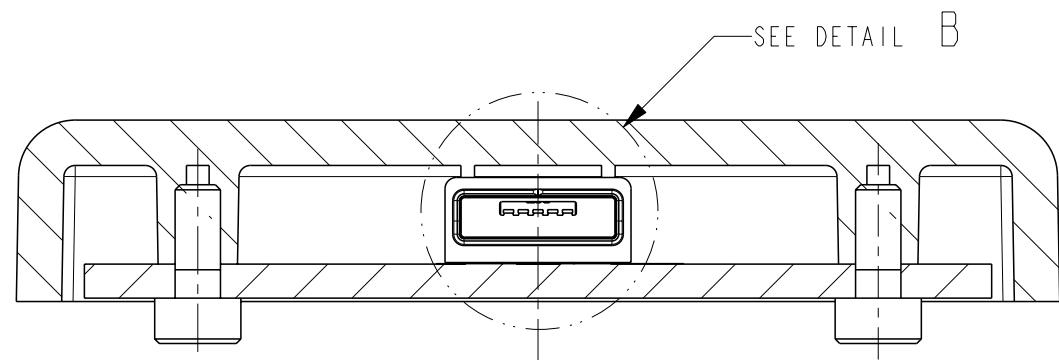
20

© COPYRIGHT 20 BY -

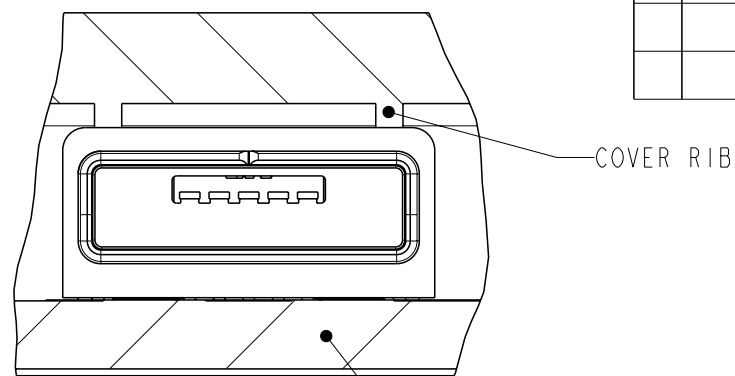
ALL RIGHTS RESERVED.

LOC	DIST
-	-

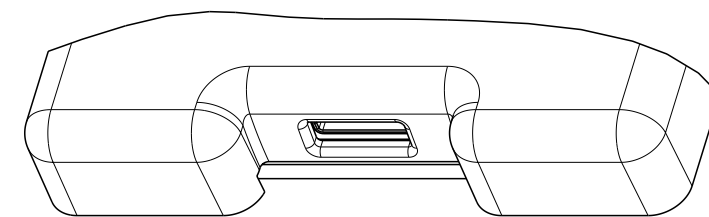
REVISIONS					
P	LTR	DESCRIPTION	DATE	DWN	APVD
-	-	SEE SHEET 1	-	-	-



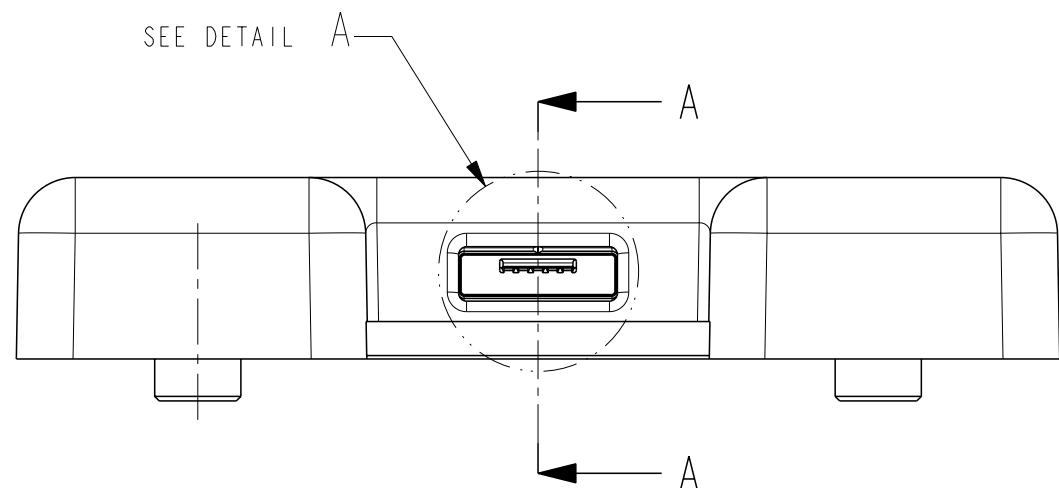
SECTION D-D



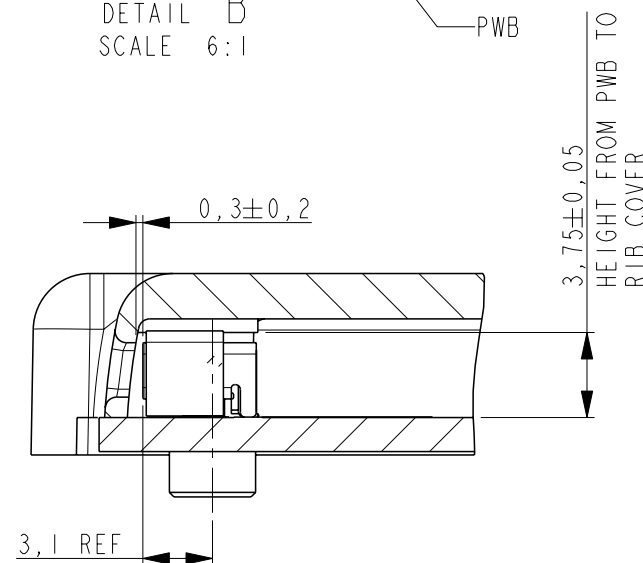
DETAIL B  
SCALE 6:1



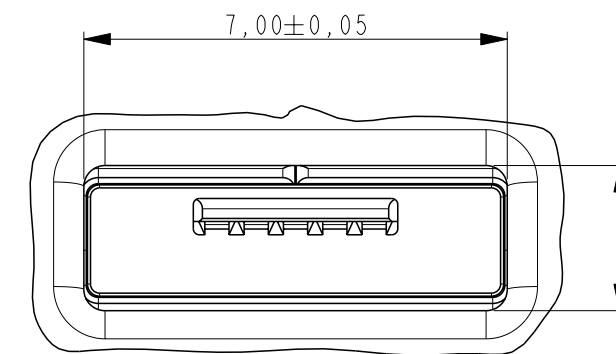
SCALE 2:1



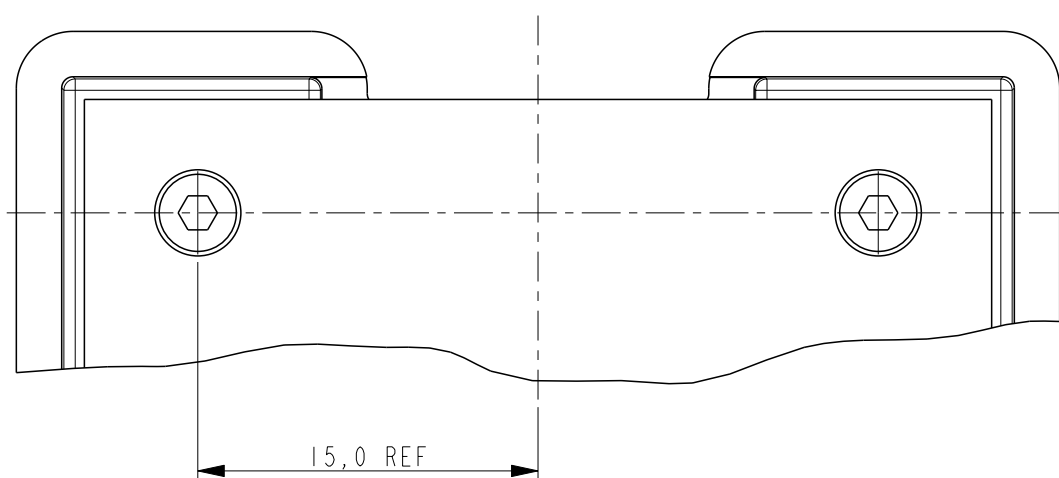
SEE DETAIL A



SECTION A-A



RECOMMENDED COVER HOLE SHAPE  
DETAIL A  
SCALE 8:1



RECOMMENDED PWB AND COVER ASSEMBLY

THIS DRAWING IS A CONTROLLED DOCUMENT.

DIMENSIONS: mm	TOLERANCES UNLESS OTHERWISE SPECIFIED:
	0 PLC ±0,2
	1 PLC ±0,1
	2 PLC ±0,1
	3 PLC ±0,025
	4 PLC ±0,001
	ANGLES ±2°
MATERIAL -	FINISH -

DWN W. Jansen	04APR2010
CHK W. Jansen	04APR2010
APVD D. Halberstadt	04APR2010
PRODUCT SPEC	-
APPLICATION SPEC	-
WEIGHT	0,33 gr
Customer Drawing	

		TE Connectivity	
NAME SPLASH-PROOF MICRO USB AB-TYPE 0,8 mm OFFSET			
SIZE A3	CAGE CODE 00779	DRAWING NO C-1551629	RESTRICTED TO -
SCALE 8:1		SHEET 3 OF 3 REV B2	