



Chipsmall Limited consists of a professional team with an average of over 10 year of expertise in the distribution of electronic components. Based in Hongkong, we have already established firm and mutual-benefit business relationships with customers from,Europe,America and south Asia,supplying obsolete and hard-to-find components to meet their specific needs.

With the principle of "Quality Parts,Customers Priority,Honest Operation,and Considerate Service",our business mainly focus on the distribution of electronic components. Line cards we deal with include Microchip,ALPS,ROHM,Xilinx,Pulse,ON,Everlight and Freescale. Main products comprise IC,Modules,Potentiometer,IC Socket,Relay,Connector.Our parts cover such applications as commercial,industrial, and automotives areas.

We are looking forward to setting up business relationship with you and hope to provide you with the best service and solution. Let us make a better world for our industry!



Contact us

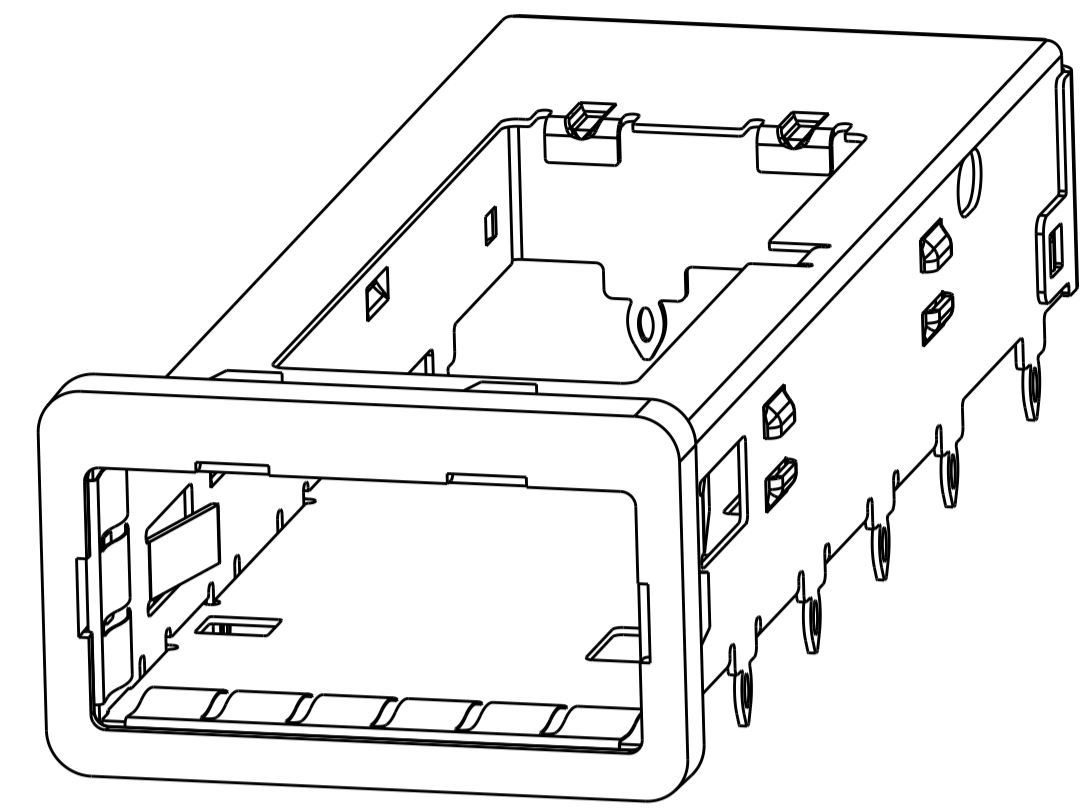
Tel: +86-755-8981 8866 Fax: +86-755-8427 6832

Email & Skype: info@chipsmall.com Web: www.chipsmall.com

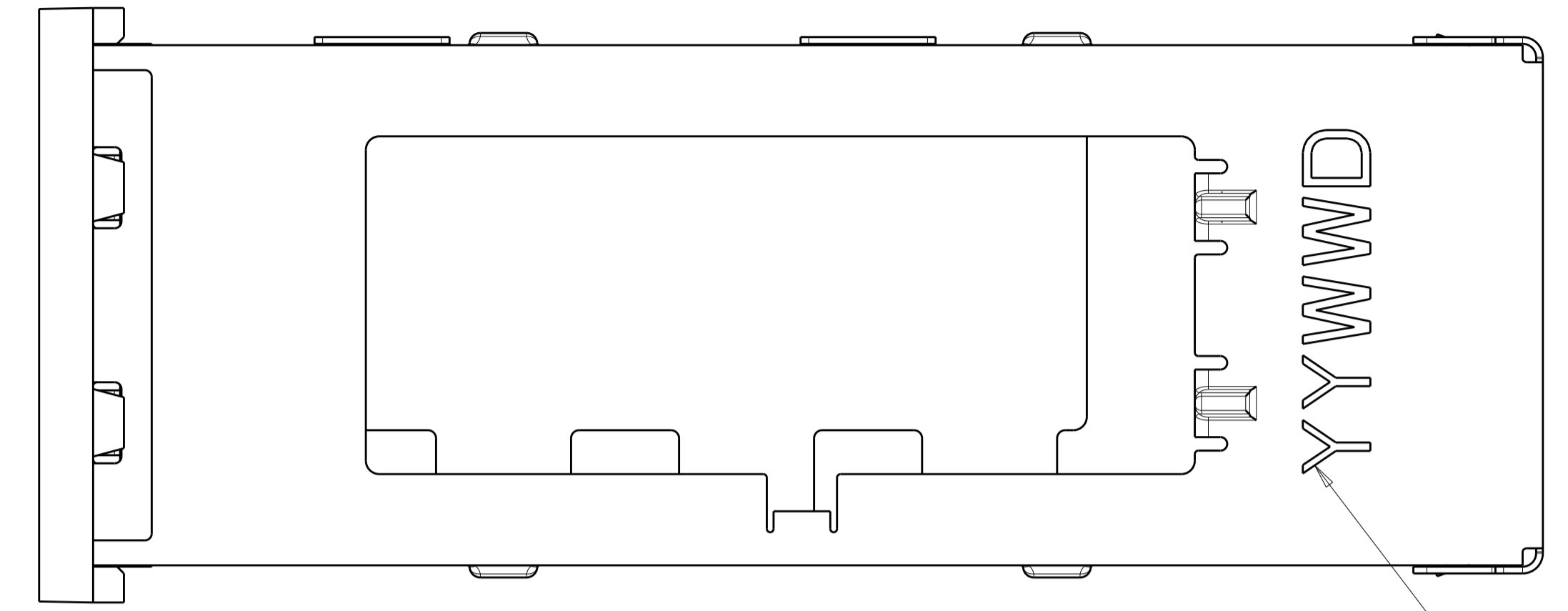
Address: A1208, Overseas Decoration Building, #122 Zhenhua RD., Futian, Shenzhen, China



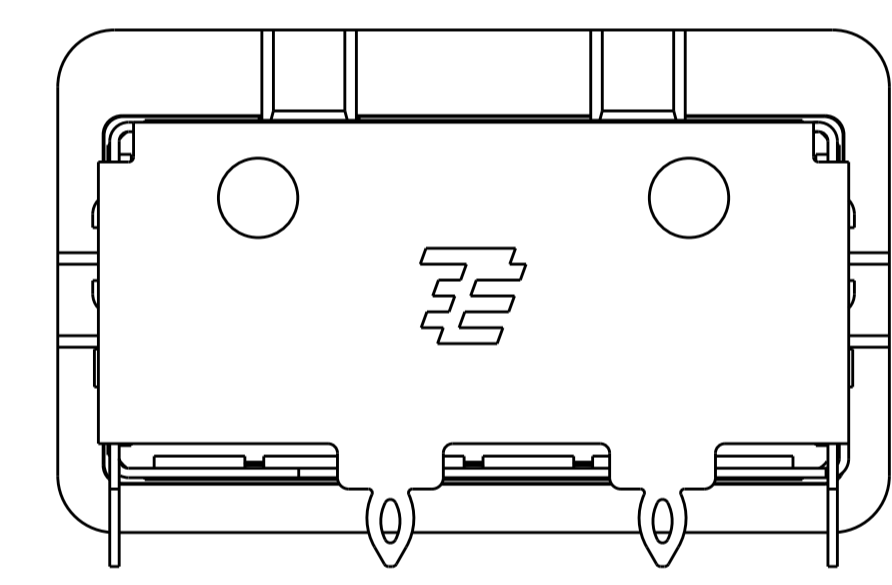
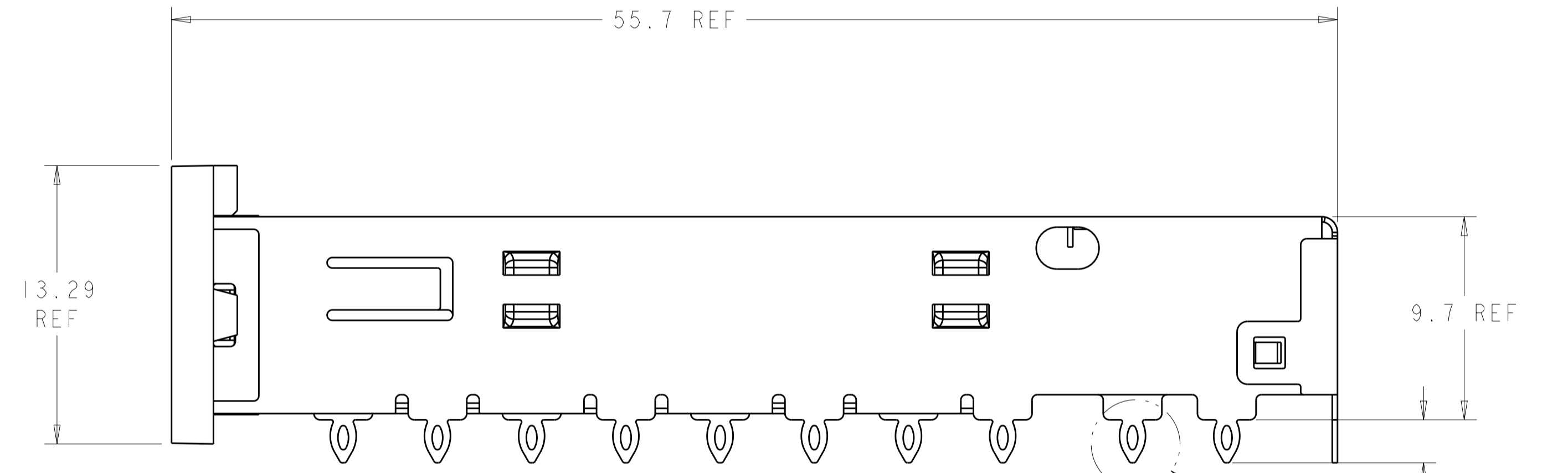
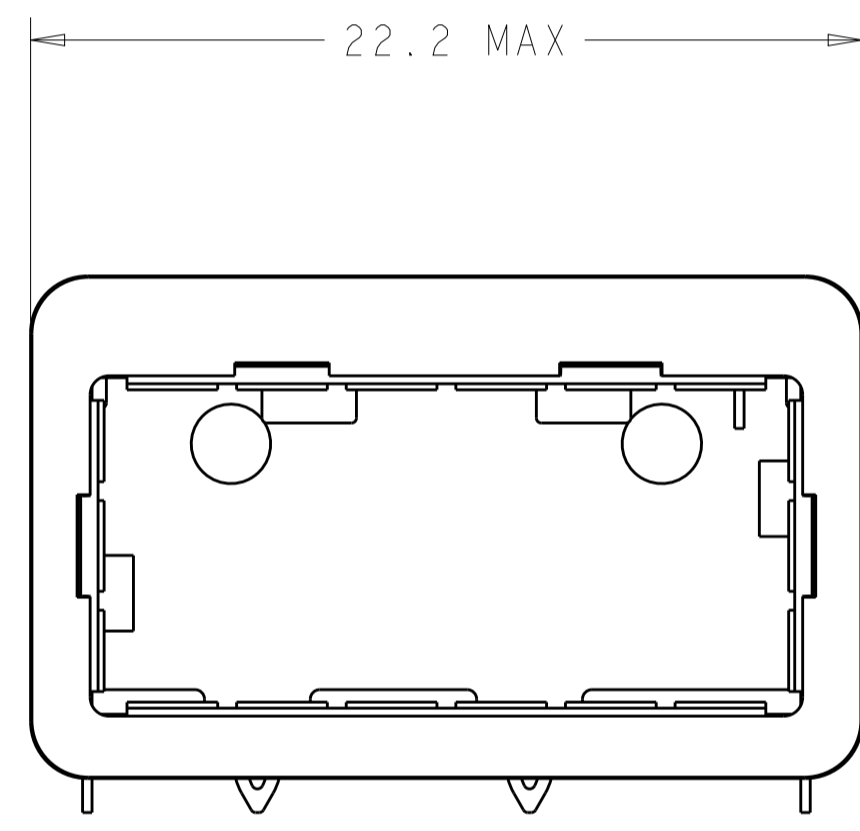
LOC	DIST	REVISIONS			
GP	00	REV	DATE	BY	APPV
		A	RELEASED PER ECO-13-000076	17JAN2013	CJV EDB



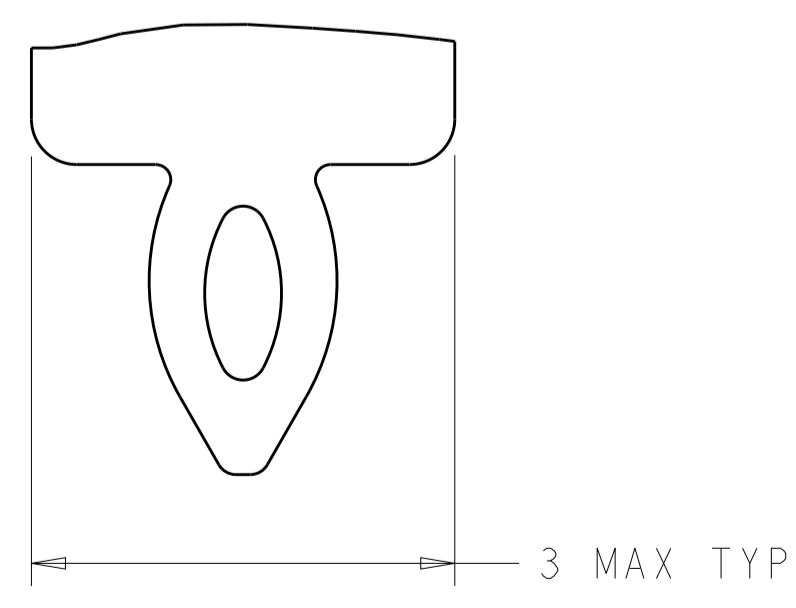
ISOMETRIC VIEW
SCALE 4:1



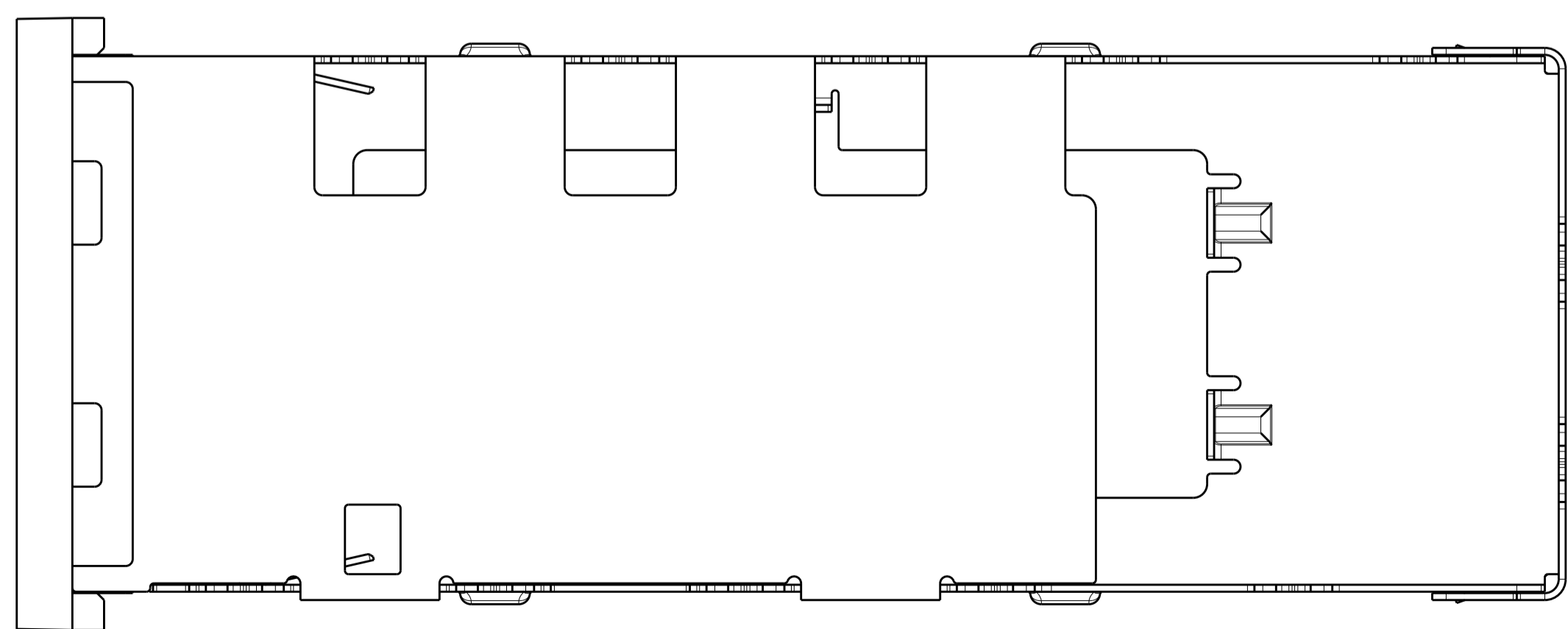
- 1. SURFACE TRACES PERMITTED WITHIN THIS LENGTH EXCEPT WHERE CAGE STANDOFFS, SHOWN IN DETAIL J, CONTACT PC BOARD.
- 2. MINIMUM PITCH DIMENSION.
- 3. MATES WITH QSFP MSA COMPATIBLE TRANSCEIVER.
- 4. REFERENCE APPLICATION SPEC 114-13218 FOR RECOMMENDED DRILL HOLE DIAMETER AND PLATING THICKNESS.
- 5. DATUM AND BASIC DIMENSIONS ESTABLISHED BY CUSTOMERS.
- 6. DIMENSION C IS THE NOMINAL THICKNESS OF CUSTOMER SUPPLIED PC BOARD,
SINGLE SIDED PC BOARD MINIMUM THICKNESS: 1.45
DOUBLE SIDED PC BOARD MINIMUM THICKNESS: 2.7.
- 7. DATUM A IS TOP SURFACE OF THE HOST BOARD.
- 8. DATE CODE (YYWWDD) MARKED APPROXIMATELY AS SHOWN.
- 9. CAGE MATERIAL: 0.25 THICK NICKEL SILVER
EMI SPRING MATERIAL: COPPER ALLOY
FRONT FLANGE MATERIAL: ZINC ALLOY.
- 10. EMI SPRING FINISH: 2µm MIN TIN
FRONT FLANGE FINISH: 3µm MIN THICK TIN OVER 1.27µm
MIN THICK NICKEL OVER 5.08µm
MIN THICK COPPER.



SEE DETAIL J



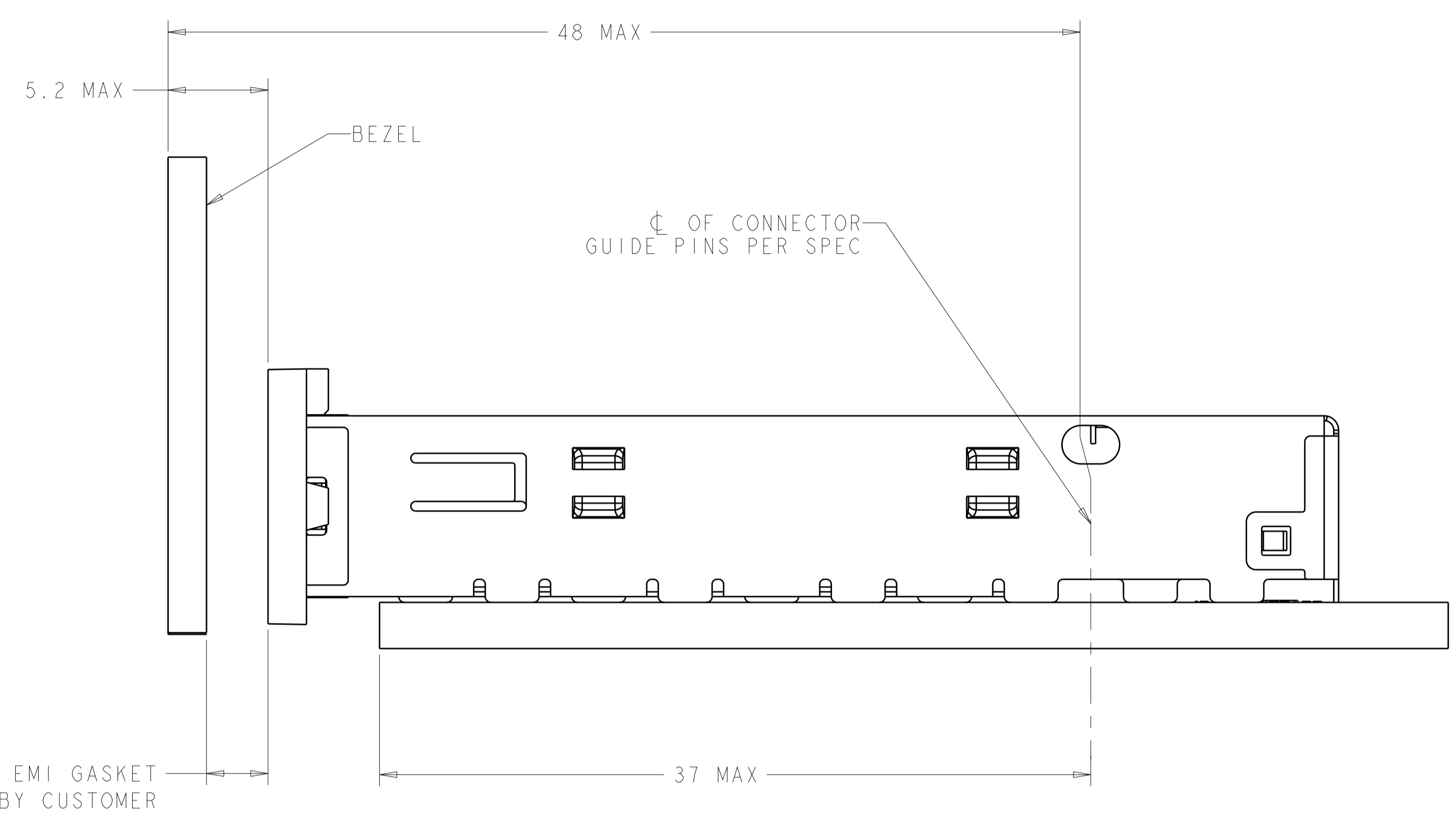
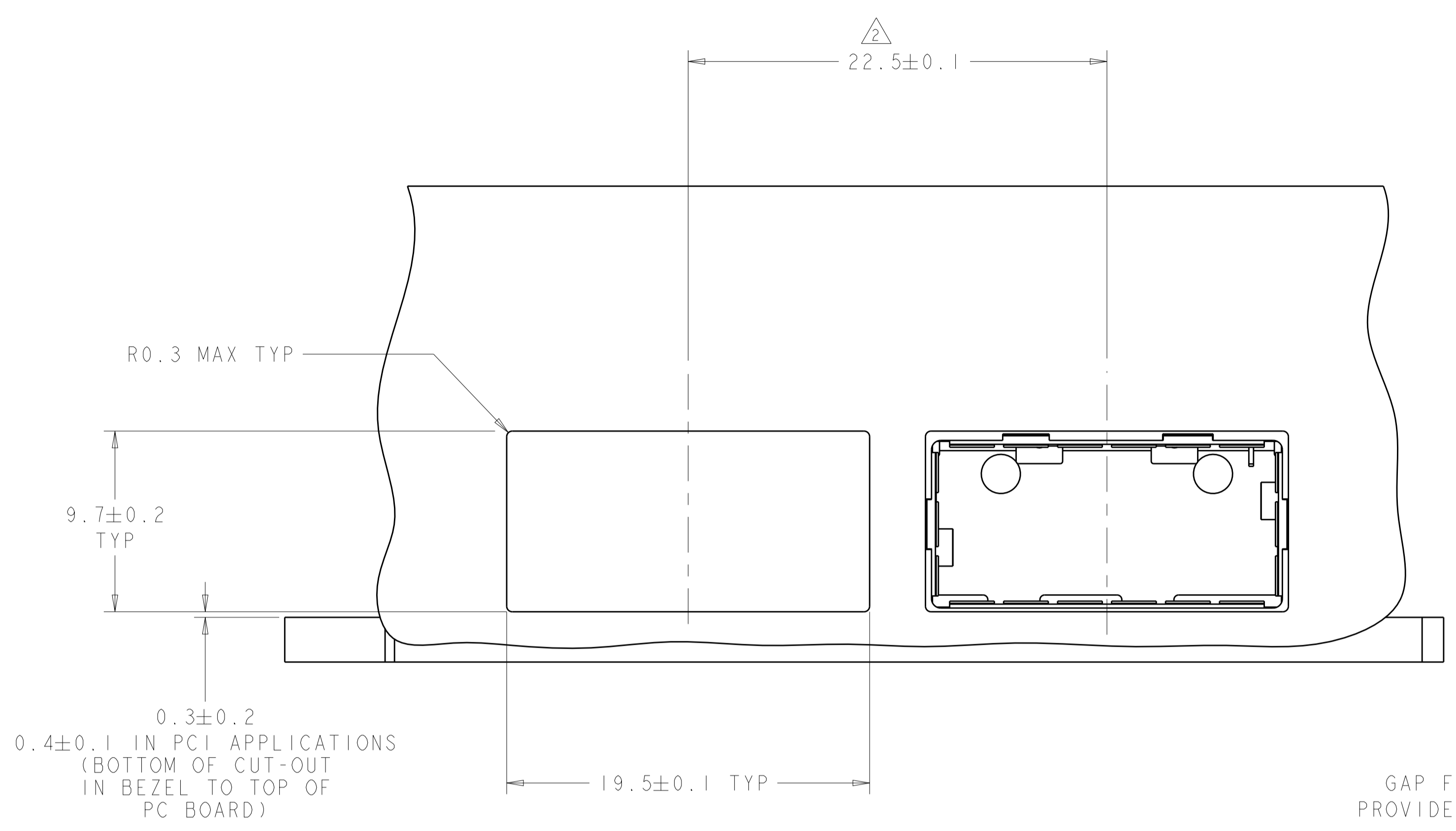
DETAIL J
SCALE 20:1



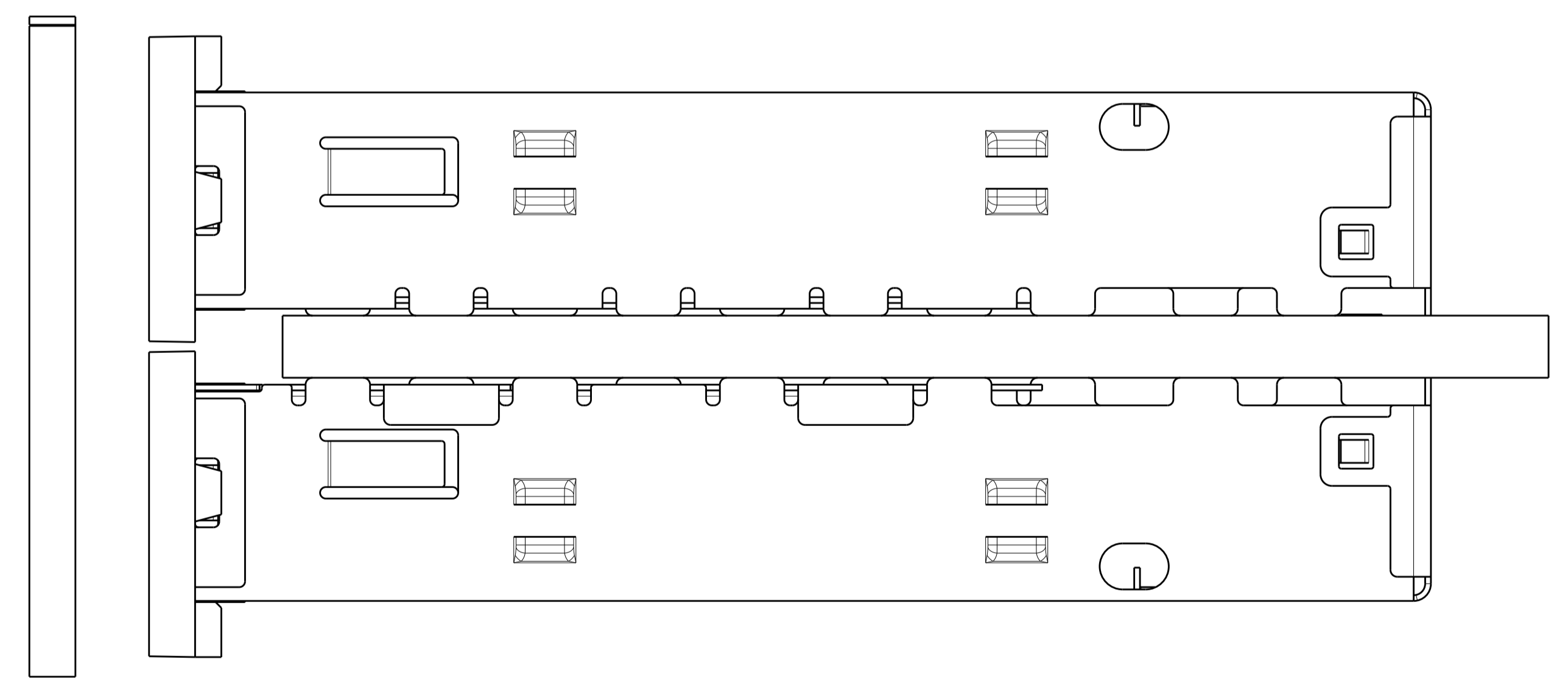
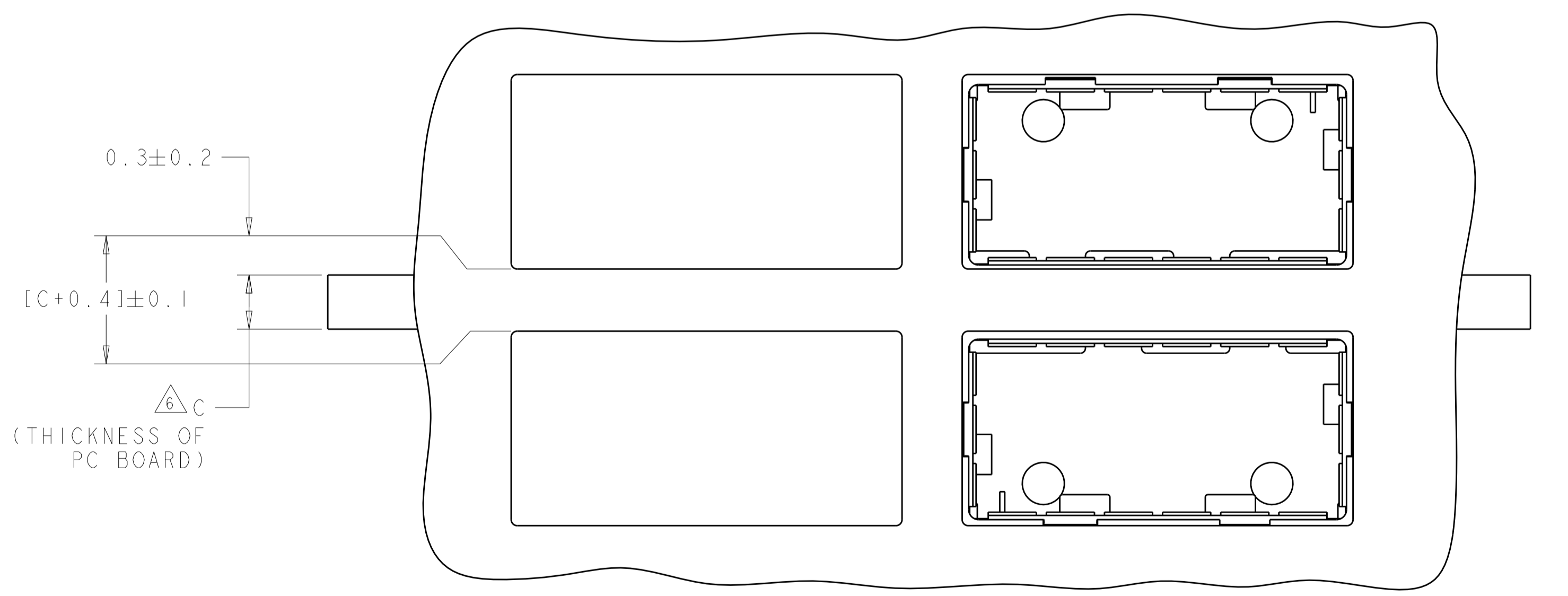
1551891-1
PART NUMBER

THIS DRAWING IS A CONTROLLED DOCUMENT. DIMENSIONING AND TOLERANCING PER ASME Y14.5M-2009.		DWG: E.ZIJLSTRA 08NOV2010 CHK: R.VERBEET 08NOV2010 APVD: T.D.ROER 08NOV2010	TE Connectivity
DIMENSIONS: mm 	TOLERANCES UNLESS OTHERWISE SPECIFIED: 0 PLC ±0.13 1 PLC ±0.13 2 PLC ±0.13 3 PLC ±0.13 4 PLC ±0.13 ANGLES ±0.13	NAME: CAGE ASSEMBLY, BEHIND BEZEL, QSFP PRODUCT SPEC: APPLICATION SPEC:	SIZE: A1 CAGE CODE: 00779 DRAWING NO: 1551891
MATERIAL: 9	FINISH: 10	WEIGHT: -	RESTRICTED TO: -
CUSTOMER DRAWING		SCALE: 5:1	SHEET 1 OF 4 REV A

LOC		DIST		REVISIONS			
GP	00	P	LTN	DESCRIPTION	DATE	DWN	APVD
-	-	-	-	SEE SHEET 1	-	-	-



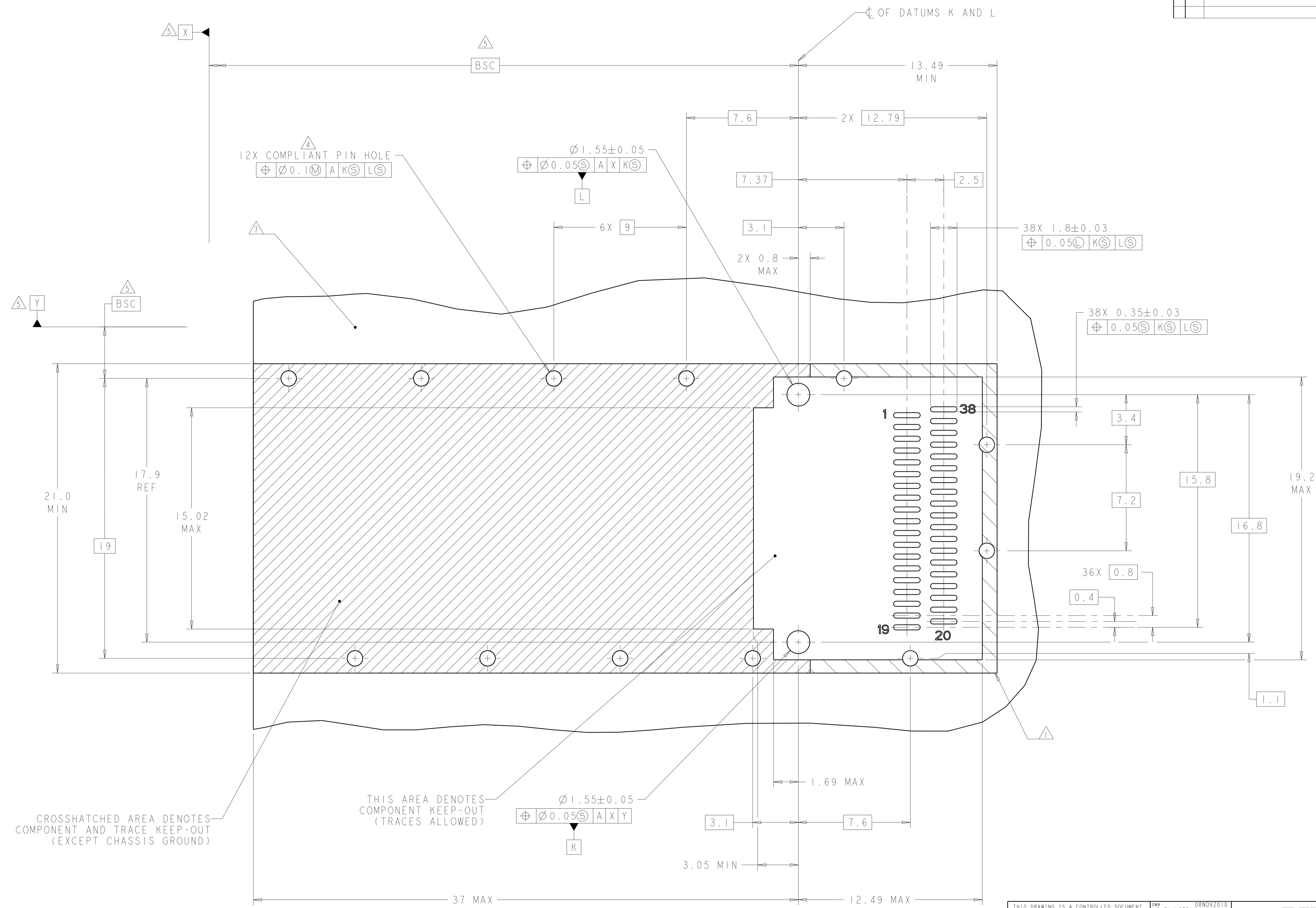
ONE SIDED CONFIGURATION



BELLY TO BELLY CONFIGURATION
 SIMILAR TO ONE SIDED EXCEPT
 WHERE NOTED

THIS DRAWING IS A CONTROLLED DOCUMENT. DIMENSIONING AND TOLERANCING PER ASME Y14.5M-2009.		DWN E. ZIJLSTRA 08NOV2010	TE Connectivity	
TOLERANCES UNLESS OTHERWISE SPECIFIED:		CHK R. VERBEET 08NOV2010	NAME CAGE ASSEMBLY, BEHIND BEZEL, ZQSF	
DIMENSIONS: mm		APVD T. D. ROER 08NOV2010	PRODUCT SPEC	
0 PLC ±0.13		APPLICATION SPEC		
1 PLC ±0.13		WEIGHT		
2 PLC ±0.13		SIZE CAGE CODE DRAWING NO		
3 PLC ±0.13		A100779C=1551891		
4 PLC ±0.13		RESTRICTED TO		
ANGLES ±0.13		CUSTOMER DRAWING		
FINISH		SCALE 5:1 SHEET 2 OF 4 REV A		

LOC	DIST	REV	DATE	BY	APPV
GP	00				
DESCRIPTION			REVISIONS		
SEE SHEET 1					



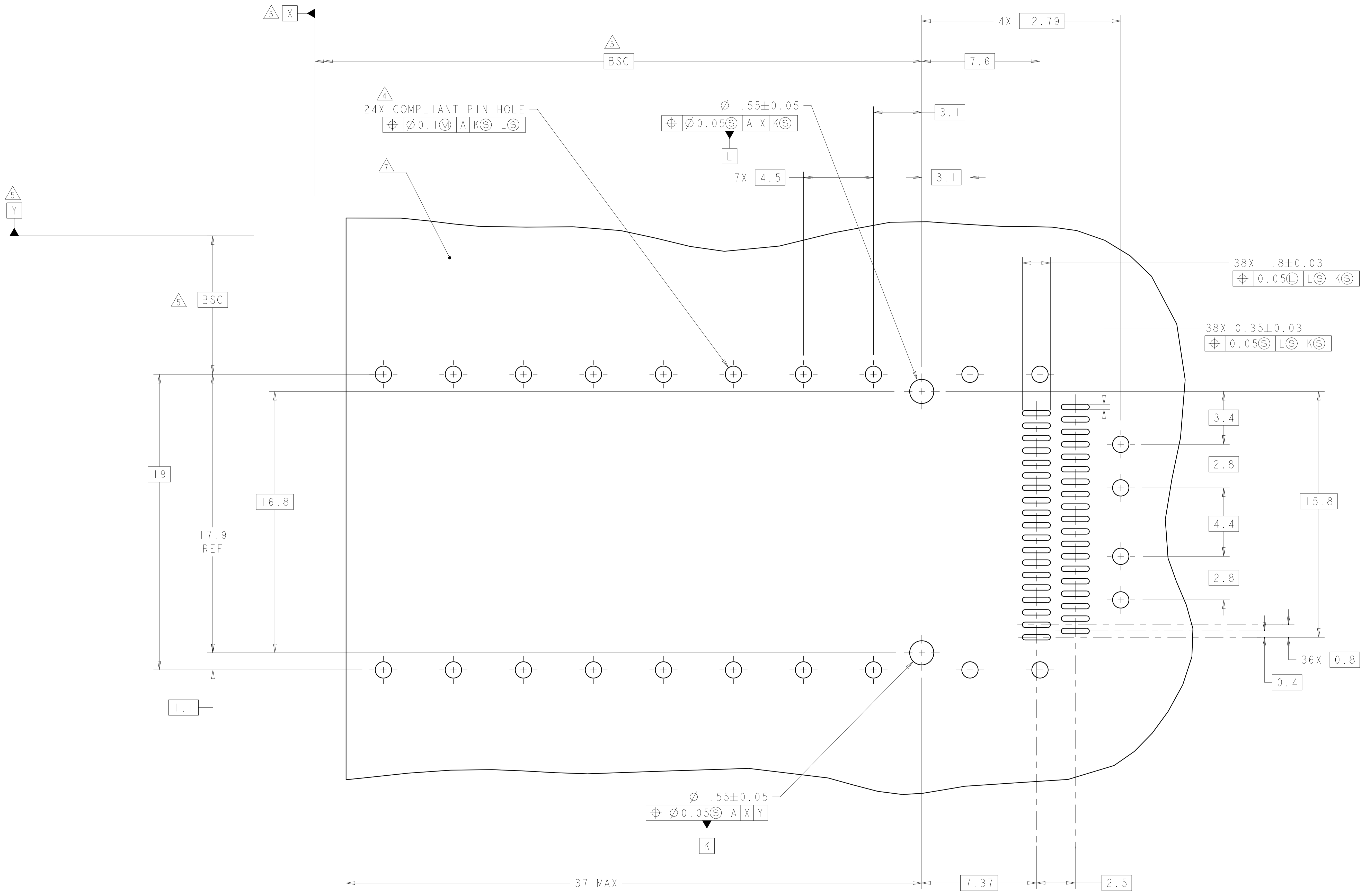
CROSSHATCHED AREA DENOTES COMPONENT AND TRACE KEEP-OUT (EXCEPT CHASSIS GROUND)

THIS AREA DENOTES COMPONENT KEEP-OUT (TRACES ALLOWED)

RECOMMENDED SINGLE-SIDE PC BOARD LAYOUT
 SCALE 8:1

THIS DRAWING IS A CONTROLLED DOCUMENT. DIMENSIONING AND TOLERANCING PER ASME Y14.5M-2009.		OWN: E. ZIJLSTRA 08NOV2010	TE Connectivity NAME: CAGE ASSEMBLY, BEHIND BEZEL, ZQSF PRODUCT SPEC: - APPLICATION SPEC: - SIZE: A100779 CAGE CODE: - DRAWING NO: 1551891 RESTRICTED TO: -
DIMENSIONS: mm		CHK: R. VERBEET 08NOV2010	
TOLERANCES UNLESS OTHERWISE SPECIFIED:		APPV: T. D. ROER 08NOV2010	SCALE: 5:1
0 PLC ±0.13 1 PLC ±0.13 2 PLC ±0.13 3 PLC ±0.13 4 PLC ±0.13 ANGLES ±0.13		WEIGHT: -	SHEET 3 OF 4
MATERIAL: FINISH: -		CUSTOMER DRAWING	REV A

LOC		DIST		REVISONS			
P	LTN	DESCRIPTION	DATE	DWN	APVD		
-	-	SEE SHEET 1	-	-	-		



RECOMMENDED PCB LAYOUT
 BELLY TO BELLY CONFIGURATION
 SEE SHEET 3 FOR KEEP OUT AREAS
 SCALE 8:1

THIS DRAWING IS A CONTROLLED DOCUMENT. DIMENSIONING AND TOLERANCING PER ASME Y14.5M-2009		DWN: E.ZIJLSTRA 08NOV2010	TE Connectivity
DIMENSIONS: mm		CHK: R.VERBEET 08NOV2010	
TOLERANCES UNLESS OTHERWISE SPECIFIED:		APVD: T.D.ROER 08NOV2010	NAME: CAGE ASSEMBLY, BEHIND BEZEL, ZQSFP
0 PLC	±0.13	PRODUCT SPEC	SIZE: CAGE CODE DRAWING NO
1 PLC	±0.13	APPLICATION SPEC	RESTRICTED TO
2 PLC	±0.13		
3 PLC	±0.13		
4 PLC	±0.13	WEIGHT	A100779C=1551891
ANGLES	±0.13	CUSTOMER DRAWING	SCALE 5:1 SHEET 4 OF 4 REV A
MATERIAL	FINISH		