



Chipsmall Limited consists of a professional team with an average of over 10 year of expertise in the distribution of electronic components. Based in Hongkong, we have already established firm and mutual-benefit business relationships with customers from,Europe,America and south Asia,supplying obsolete and hard-to-find components to meet their specific needs.

With the principle of “Quality Parts,Customers Priority,Honest Operation,and Considerate Service”,our business mainly focus on the distribution of electronic components. Line cards we deal with include Microchip,ALPS,ROHM,Xilinx,Pulse,ON,Everlight and Freescale. Main products comprise IC,Modules,Potentiometer,IC Socket,Relay,Connector.Our parts cover such applications as commercial,industrial, and automotives areas.

We are looking forward to setting up business relationship with you and hope to provide you with the best service and solution. Let us make a better world for our industry!



Contact us

Tel: +86-755-8981 8866 Fax: +86-755-8427 6832

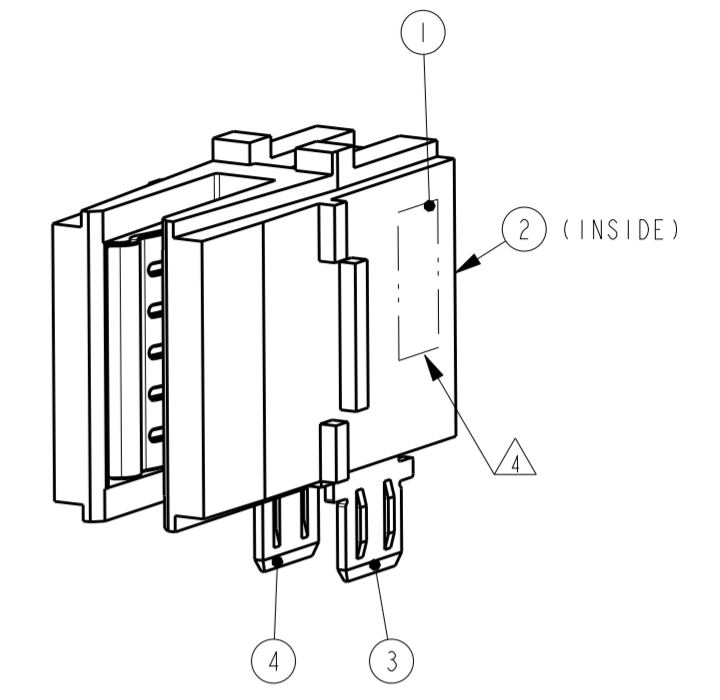
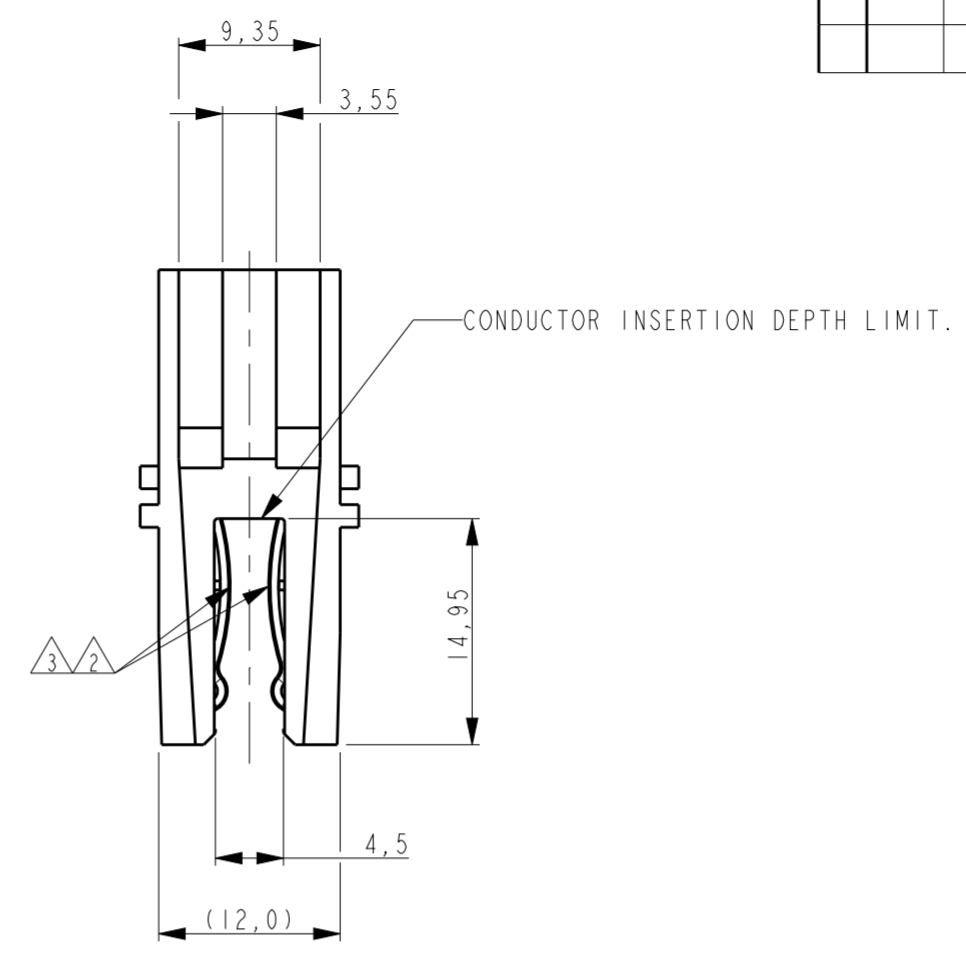
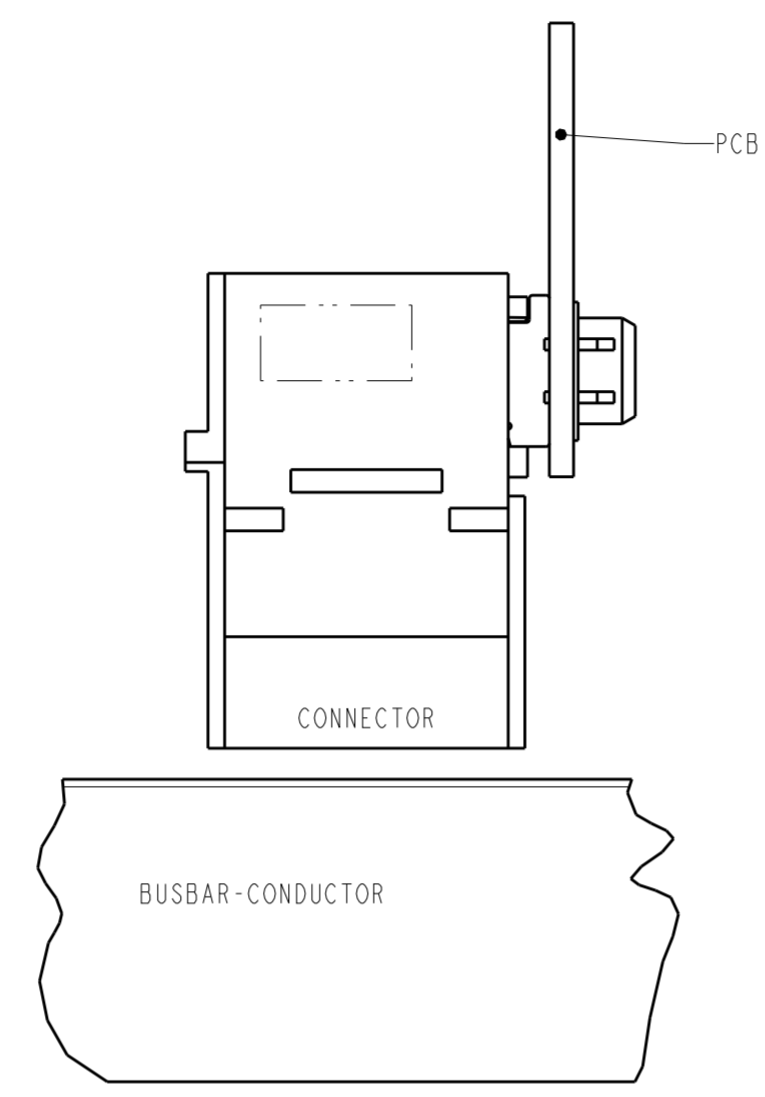
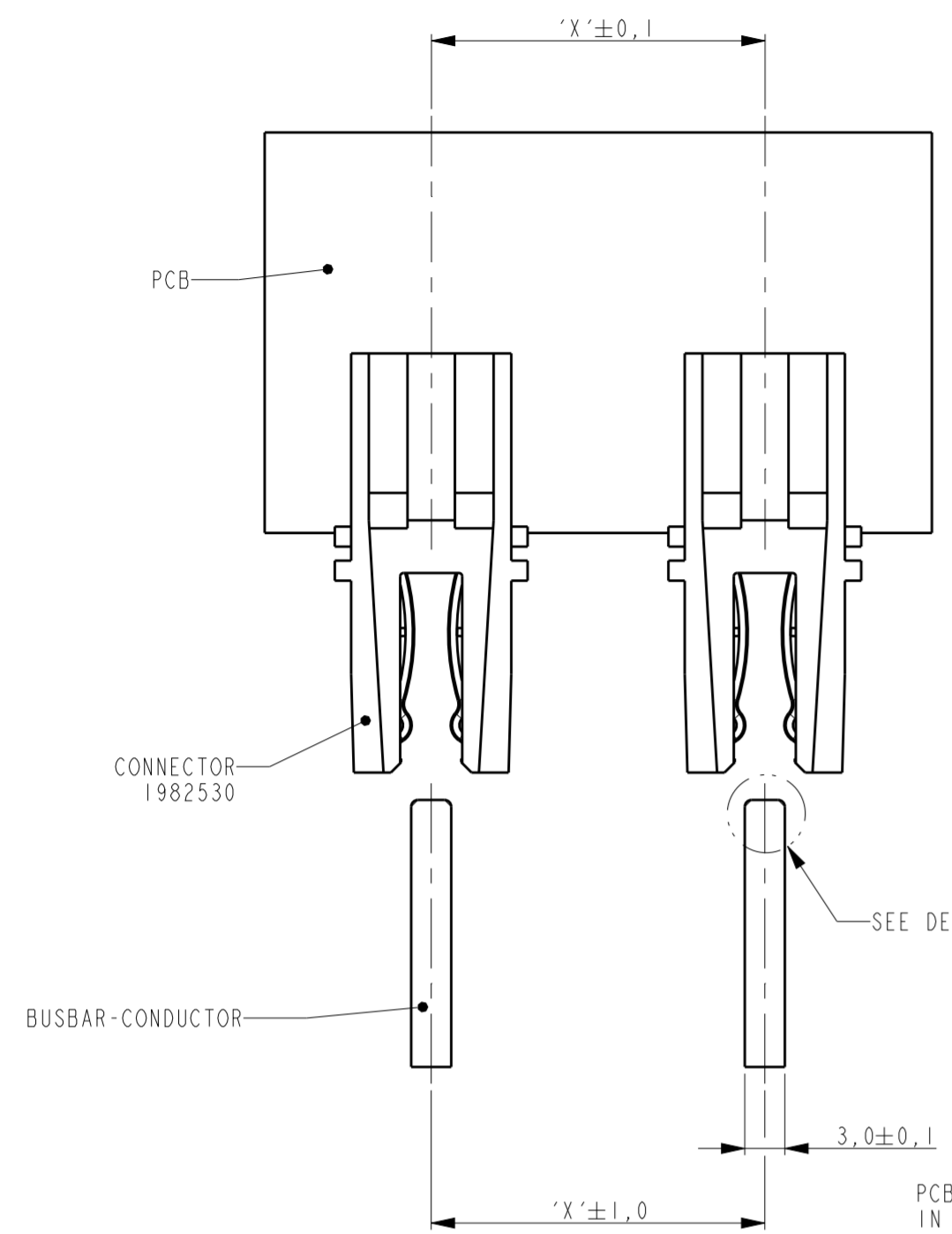
Email & Skype: info@chipsmall.com Web: www.chipsmall.com

Address: A1208, Overseas Decoration Building, #122 Zhenhua RD., Futian, Shenzhen, China

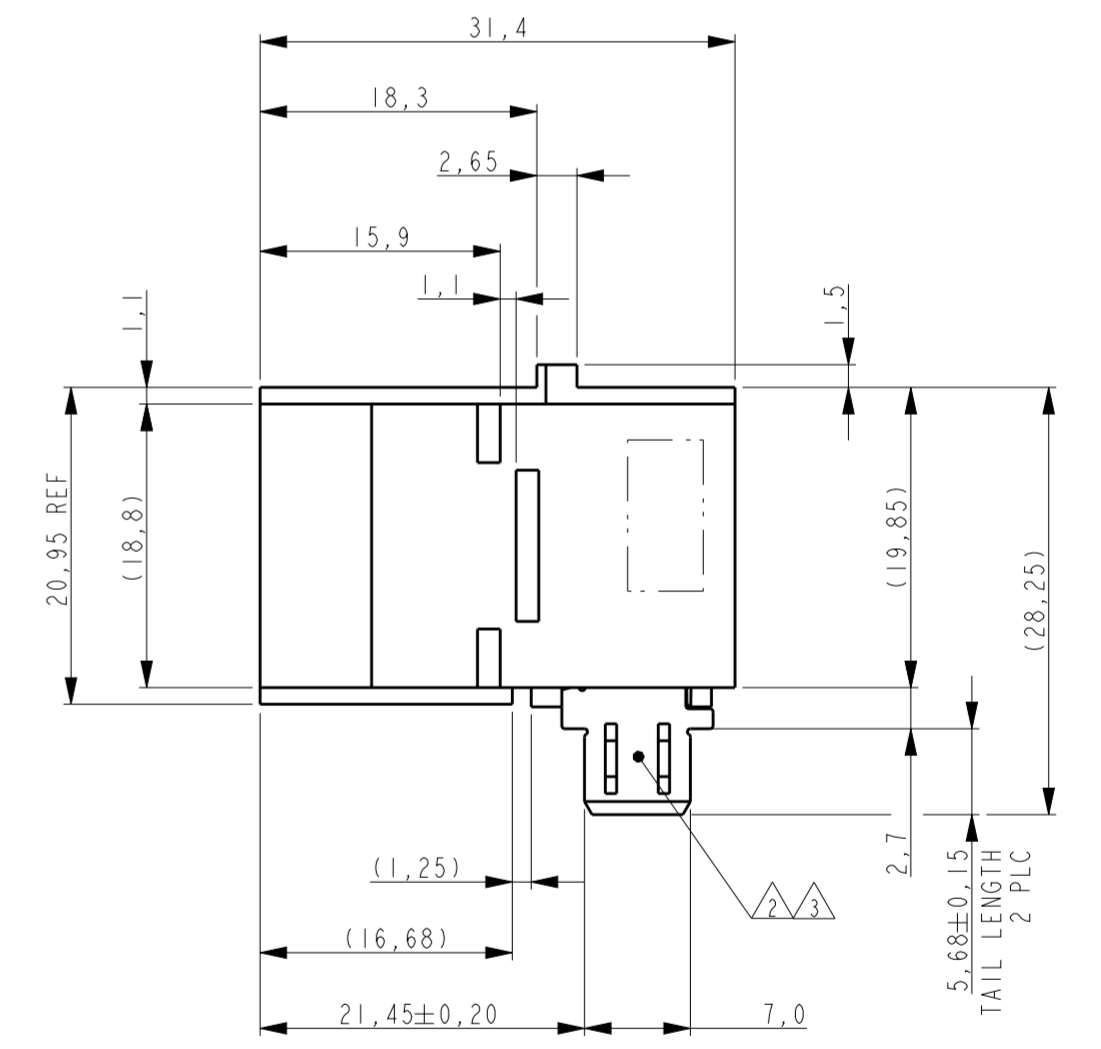
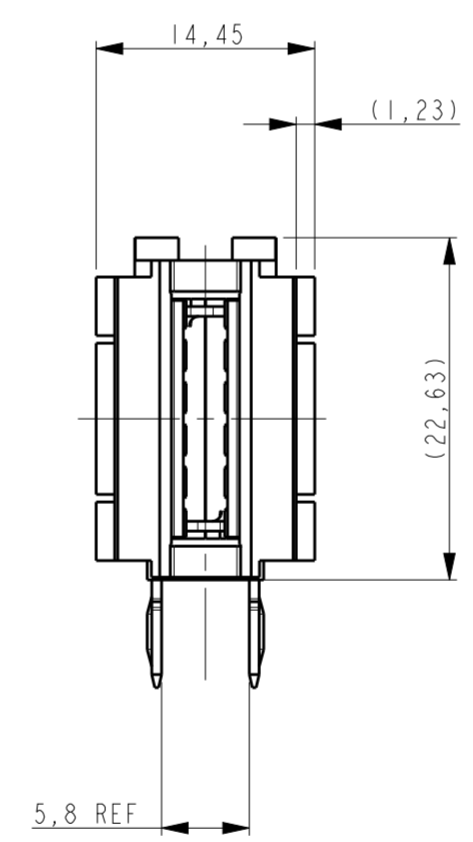


THIS DRAWING IS UNPUBLISHED. RELEASED FOR PUBLICATION
 © COPYRIGHT - BY - ALL RIGHTS RESERVED.

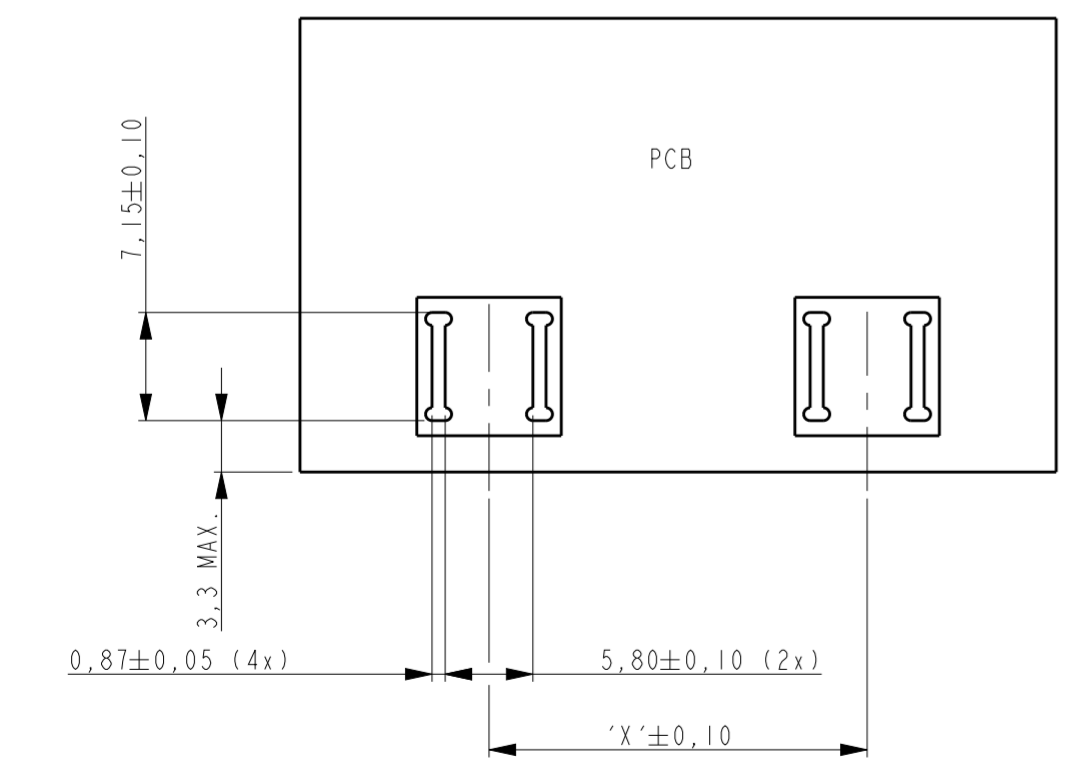
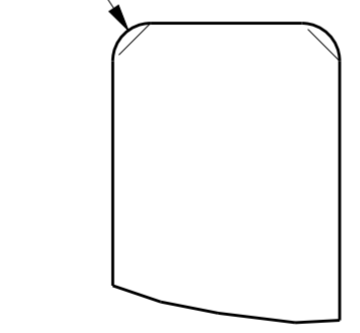
REVISIONS					
P	LTR	DESCRIPTION	DATE	DWN	APVD
A5		REV PER ECR-15-005882	20APR2015	ML	SZ



PCB AND BUSBAR-CONDUCTORS, IN THESE VIEWS ARE SHOWN FOR REFERENCE ONLY.



RADIUSED OR CHAMFERED EDGE ON BUSBAR-CONDUCTOR RECOMMENDED



RECOMMENDED PCB LAY-OUT
 THICKNESS: 4,8mm MAX

- NOTES:
- 1 PCB MUST BE SUPPORTED WHILE INSERTING THE CONNECTOR IN THE SLOTS TO AVOID BENDING OF THE BOARD.
 - △ PLATING: 1,2µm MIN. NICKEL UNDERLAYER ALLOVER.
 - △ 3,0µm MIN. TIN IN INDICATED AREA'S.
 - △ AREA FOR DATE-CODE.
 - △ MATERIAL:
 POWER CONTACT: HIGH CONDUCTIVITY COPPER ALLOY.
 HOUSING: THERMOPLASTIC, BLACK, UL94 V-0.

ITEM NO.	DESCRIPTION	MATERIAL	FINISH	QTY.
4	CONTACT LEFT	COPPER ALLOY		1
3	CONTACT RIGHT	COPPER ALLOY		1
2	CLIP	STAINLESS STEEL		1
1	HOUSING	PBT	BLACK	1

THIS DRAWING IS A CONTROLLED DOCUMENT.

DWN	RAVINDRA K	07DEC10
CHK	R. DAAMEN	10DEC10
APVD	T. D. BOER	10DEC10
PRODUCT SPEC	108-19360	
APPLICATION SPEC	114-19128	
WEIGHT	-	
MATERIAL	-	
TOLERANCES UNLESS OTHERWISE SPECIFIED:		
0 PLC	±	
1 PLC	±0,30	
2 PLC	±0,15	
3 PLC	±0,05	
4 PLC	±	
ANGLES	±2°	
FINISH	-	

Customer Drawing

SCALE 2:1 SHEET 1 OF 1 REV A5

1551953-1

STE TE Connectivity

NAME PLUGGABLE BUSBAR CONNECTOR
 SOLDER VERSION
 CROWN CLIP JUNIOR

SIZE A2 CAGE CODE 00779 DRAWING NO. C-1551953 RESTRICTED TO