



Chipsmall Limited consists of a professional team with an average of over 10 year of expertise in the distribution of electronic components. Based in Hongkong, we have already established firm and mutual-benefit business relationships with customers from,Europe,America and south Asia,supplying obsolete and hard-to-find components to meet their specific needs.

With the principle of “Quality Parts,Customers Priority,Honest Operation,and Considerate Service”,our business mainly focus on the distribution of electronic components. Line cards we deal with include Microchip,ALPS,ROHM,Xilinx,Pulse,ON,Everlight and Freescale. Main products comprise IC,Modules,Potentiometer,IC Socket,Relay,Connector.Our parts cover such applications as commercial,industrial, and automotives areas.

We are looking forward to setting up business relationship with you and hope to provide you with the best service and solution. Let us make a better world for our industry!



## Contact us

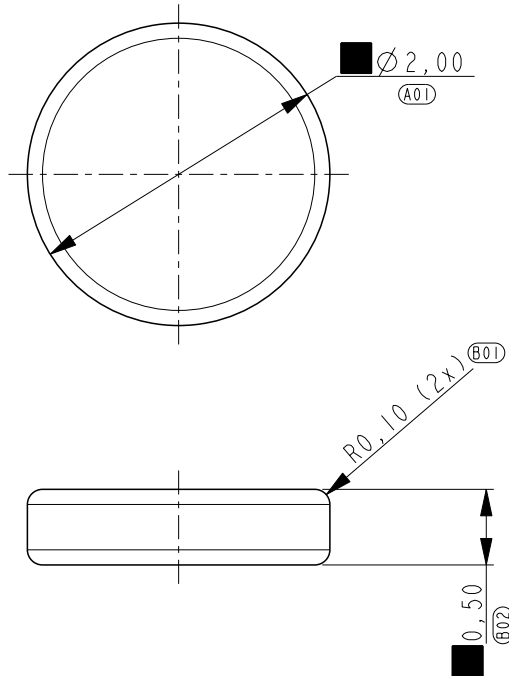
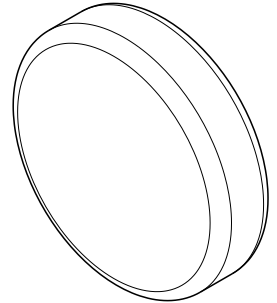
Tel: +86-755-8981 8866 Fax: +86-755-8427 6832

Email & Skype: info@chipsmall.com Web: www.chipsmall.com

Address: A1208, Overseas Decoration Building, #122 Zhenhua RD., Futian, Shenzhen, China



LOC	DIST	REVISIONS					
H	-	P	LTR	DESCRIPTION	DATE	DWN	APVD
			A	ECR-11-016509	25AUG2011	JvH	DH



NOTES:

- 1 PLATING: GOLD 0,1µm MIN. (SPEC. 112-162-5) ALL OVER  
OVER 1,2µm MIN. NICKEL (SPEC. 112-25-2) ALL OVER.
- 2 = CRITICAL DIMENSION

20  
RELEASED FOR PUBLICATION

ALL RIGHTS RESERVED.

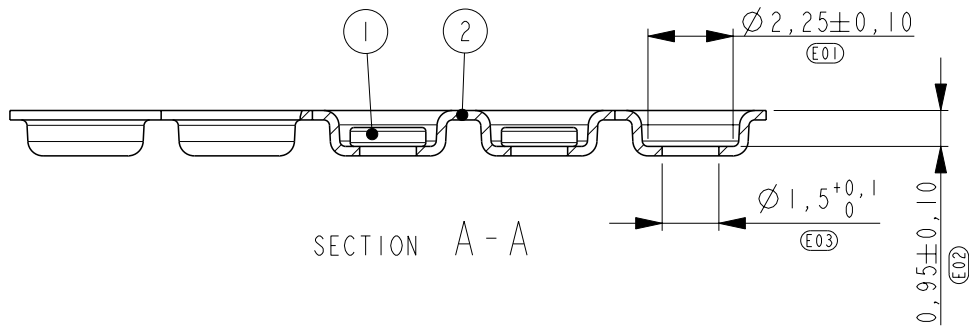
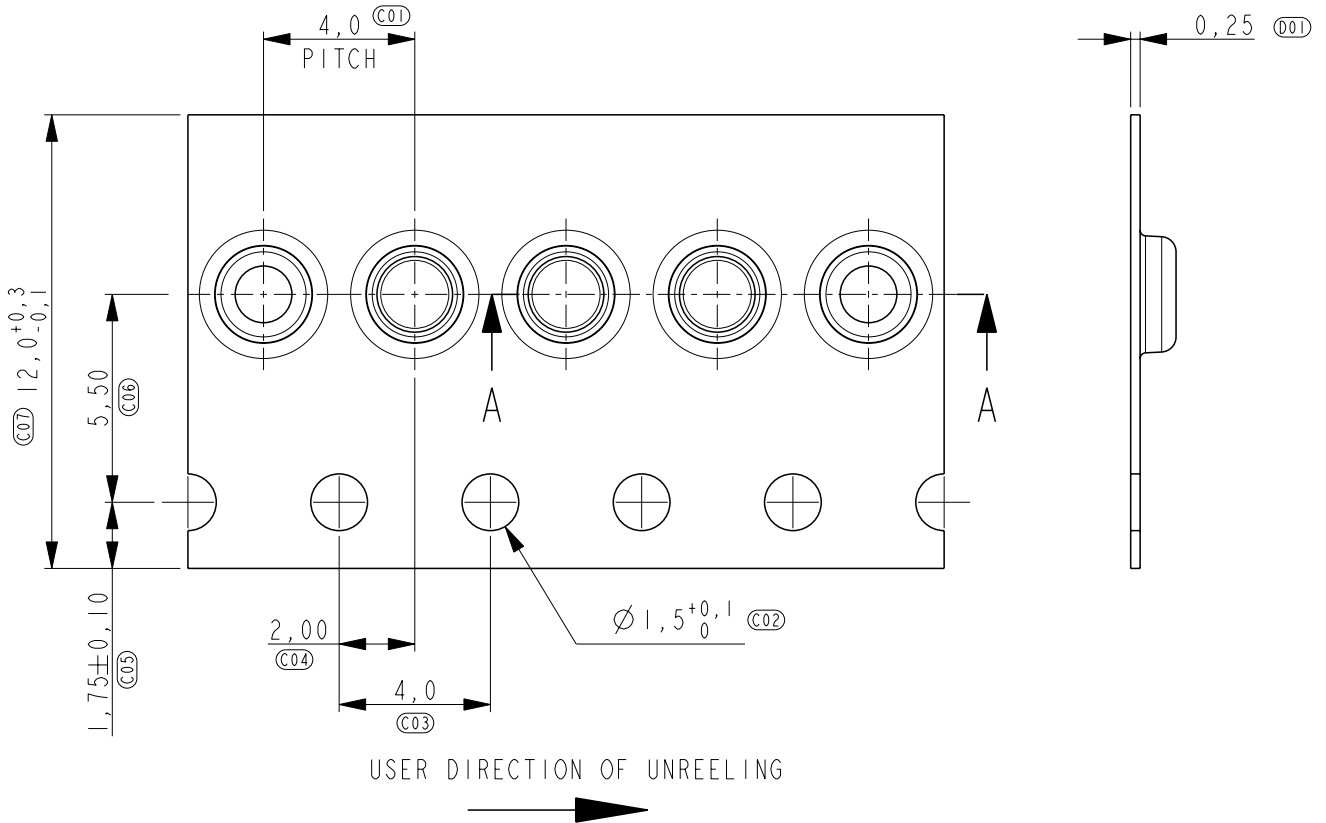
THIS DRAWING IS UNPUBLISHED.

BY -

© COPYRIGHT 20

1551962-3		SPACER		COPPER ALLOY				
PART NUMBER		DESCRIPTION		MATERIAL		FINISH		
DIMENSIONS: mm		DWN J. van Hoek 15DEC2010	MATERIAL -		FINISH -			
TOLERANCES UNLESS OTHERWISE SPECIFIED:		CHK T. Valkenburg 15DEC2010	TE Connectivity					
0 PLC ±0,2 1 PLC ±0,1 2 PLC ±0,05 3 PLC ±0,025 4 PLC ±0,005 ANGLES ±2°		APVD D. Halberstadt 15DEC2010						
PRODUCT SPEC 108-19415		NAME SPACER PAD 0,5mm						
APPLICATION SPEC -		SIZE A 4	CAGE CODE 00779	DRAWING NO C-1551962		RESTRICTED TO -		
WEIGHT -		CUSTOMER DRAWING				SCALE 20:1	SHEET 1 OF 2	REV A

LOC	DIST	REVISIONS					
H	-	P	LTR	DESCRIPTION	DATE	DWN	APVD
		-		SEE SHEET 1	-	-	-



2	EMBOSSED CARRIER TAPE
1	SPACER
ITEM NO.	DESCRIPTION

20

RELEASED FOR PUBLICATION

ALL RIGHTS RESERVED.


THIS DRAWING IS UNPUBLISHED.

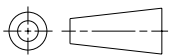
BY -

© COPYRIGHT 20

DIMENSIONS:	
mm	
TOLERANCES UNLESS OTHERWISE SPECIFIED:	
0 PLC	±0,2
1 PLC	±0,1
2 PLC	±0,05
3 PLC	±0,025
4 PLC	±0,005
ANGLES	±2°

DWN	J. van Hoek	15DEC2010
CHK	T. Valkenburg	15DEC2010
APVD	D. Halberstadt	15DEC2010
PRODUCT SPEC	108-19415	
APPLICATION SPEC	-	
WEIGHT	-	

MATERIAL	-		FINISH	-
 <b>TE Connectivity</b>				
NAME				
SPACER PAD 0,5mm				
SIZE	CAGE CODE	DRAWING NO	RESTRICTED TO	
A4	00779	©-1551962	-	



CUSTOMER DRAWING	SCALE	20:1	SHEET	2	OF	2	REV	A
------------------	-------	------	-------	---	----	---	-----	---