



Chipsmall Limited consists of a professional team with an average of over 10 year of expertise in the distribution of electronic components. Based in Hongkong, we have already established firm and mutual-benefit business relationships with customers from,Europe,America and south Asia,supplying obsolete and hard-to-find components to meet their specific needs.

With the principle of “Quality Parts,Customers Priority,Honest Operation,and Considerate Service”,our business mainly focus on the distribution of electronic components. Line cards we deal with include Microchip,ALPS,ROHM,Xilinx,Pulse,ON,Everlight and Freescale. Main products comprise IC,Modules,Potentiometer,IC Socket,Relay,Connector.Our parts cover such applications as commercial,industrial, and automotives areas.

We are looking forward to setting up business relationship with you and hope to provide you with the best service and solution. Let us make a better world for our industry!



## Contact us

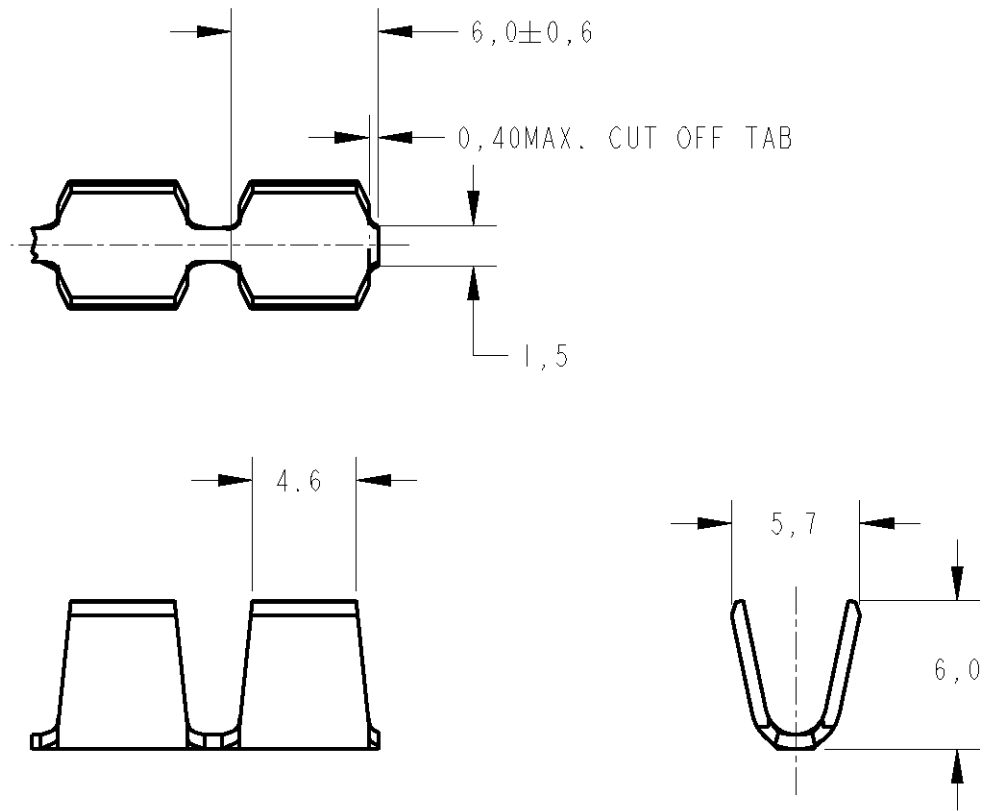
Tel: +86-755-8981 8866 Fax: +86-755-8427 6832

Email & Skype: info@chipsmall.com Web: www.chipsmall.com

Address: A1208, Overseas Decoration Building, #122 Zhenhua RD., Futian, Shenzhen, China



LOC	DIST	REVISIONS				
P	LTR	DESCRIPTION	DATE	DWN	APVD	
AP	-	B	REDRAW BY ECO-06-013605	09AUG2006	HC	WLS



RELEASED FOR PUBLICATION

THIS DRAWING IS UNPUBLISHED.  
 COPYRIGHT © BY TYCO ELECTRONICS CORPORATION. ALL RIGHTS RESERVED.

7000/12000CMA	TIN PLATED	BRASS	155353-2
	—	BRASS	155353-1
	<b>FINISH</b>	<b>MATERIAL</b>	<b>PART NUMBER</b>

DIMENSIONS: mm	DWN H.C. Canteri	09August2006	MATERIAL	-	FINISH	-
	CHK W.L. STEFANI	09August2006	Tyco Electronics - Ltda São Paulo - Brasil			
TOLERANCES UNLESS OTHERWISE SPECIFIED:	APVD	-	NAME Splice			
	PRODUCT SPEC	-	SIZE	A4	CAGE CODE	-
0 PLC ± -	APPLICATION SPEC	-	DRAWING NO	C= 155353		RESTRICTED TO
1 PLC ± 0,3	WEIGHT	-	CUSTOMER DRAWING		SCALE	5/1
2 PLC ± -			SHEET		1	OF
3 PLC ± -			REV		B	
4 PLC ± -						
ANGLES ± -						