



Chipsmall Limited consists of a professional team with an average of over 10 year of expertise in the distribution of electronic components. Based in Hongkong, we have already established firm and mutual-benefit business relationships with customers from,Europe,America and south Asia,supplying obsolete and hard-to-find components to meet their specific needs.

With the principle of “Quality Parts,Customers Priority,Honest Operation,and Considerate Service”,our business mainly focus on the distribution of electronic components. Line cards we deal with include Microchip,ALPS,ROHM,Xilinx,Pulse,ON,Everlight and Freescale. Main products comprise IC,Modules,Potentiometer,IC Socket,Relay,Connector.Our parts cover such applications as commercial,industrial, and automotives areas.

We are looking forward to setting up business relationship with you and hope to provide you with the best service and solution. Let us make a better world for our industry!



Contact us

Tel: +86-755-8981 8866 Fax: +86-755-8427 6832

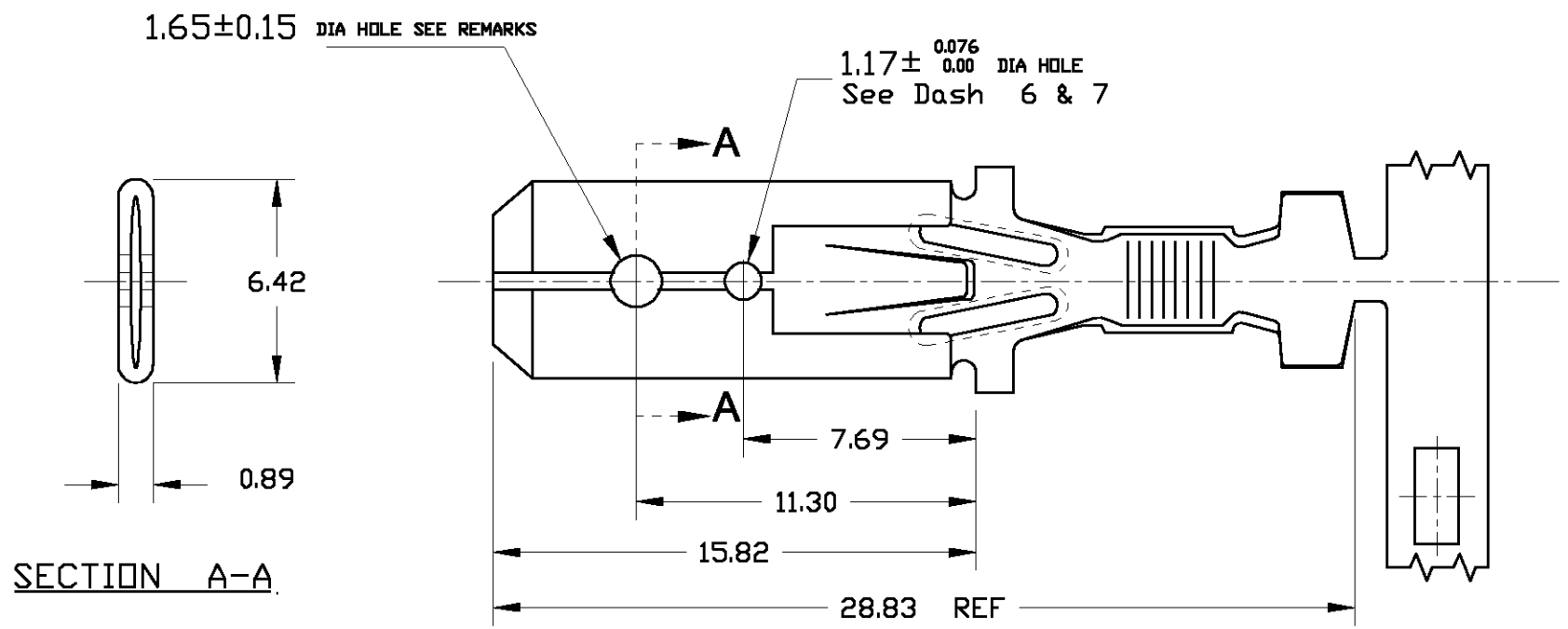
Email & Skype: info@chipsmall.com Web: www.chipsmall.com

Address: A1208, Overseas Decoration Building, #122 Zhenhua RD., Futian, Shenzhen, China



USED ON _____

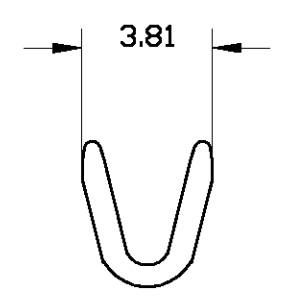
DVG NO 155378
 THIS DRAWING IS A CONTROLLED DOCUMENT



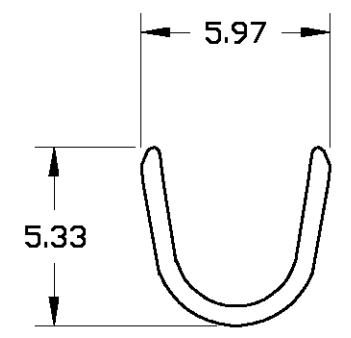
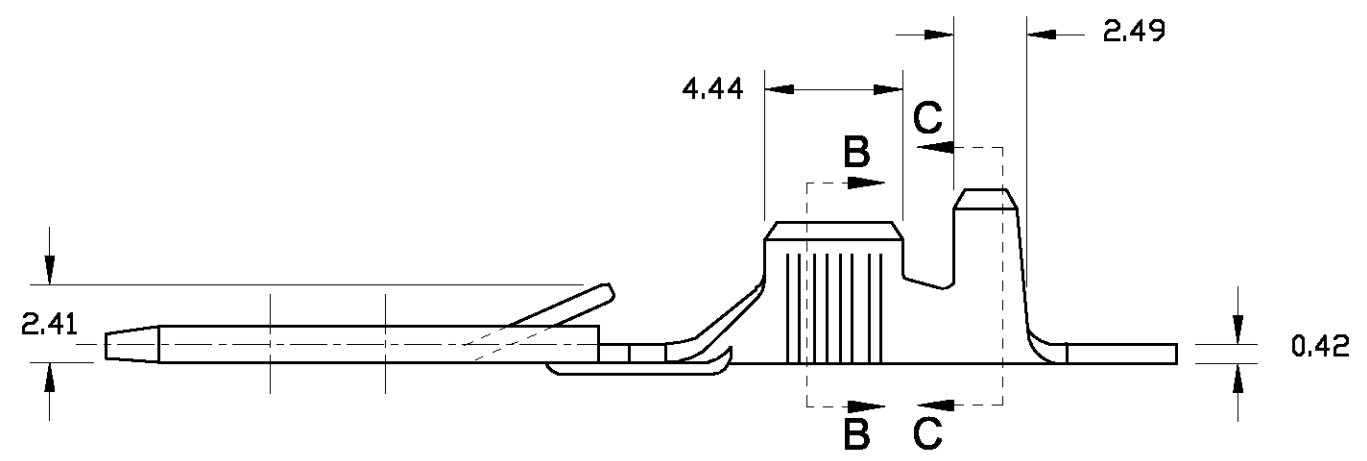
SECTION A-A

NOTES:

- 1 DIMENSIONS WITH MAX. TOLERANCES (DIMENSIONES CON TOLERANCIAS MAX)
- 2 FOR REVERSE REAL SEE DWG. 155098 DASHES 1 - 2 - 3 AND 4 ONLY. (PARA ENROLLADO OPUESTO VER DIDUJO 155098- 1, 2, 3 Y 4 SOLEMANTE.)



SECTION B-B



SECTION C-C

WITH BOTH LOCKING HOLES 1.65 AND 1.17 DIA.	NONE (NINGUNO)	PHOS. BRONZE	155378-8
WITH BOTH LOCKING HOLES 1.65 AND 1.17 DIA.	TIN PLATED (ESTAND)	BRASS (LATON)	155378-7
	NONE (NINGUNO)	BRASS (LATON)	155378-6
WITH BOTH LOCKING HOLES	NONE (NINGUNO)	PHOS. BRONZE	155378-5
WITH LOCKING HOLE 1.65 ONLY	TIN PLATED (ESTAND)	BRASS (LATON)	155378-4
	NONE (NINGUNO)	BRASS (LATON)	155378-3
WITH BOTH LOCKING HOLES	TIN PLATED (ESTAND)	BRASS (LATON)	155378-2
	NONE (NINGUNO)	BRASS (LATON)	155378-1
REMARKS (OBSERVS.)	FINISH (TERMINADO)	MATERIAL	PART NUMBER

WIRE RANGE 18-14	DIMENSIONS: mm -DIMENSIONS APPLY BEFORE PLATING- TOLERANCES UNLESS OTHERWISE SPECIFIED: 2 PLC ± 0.10 3 PLC ± 0.25 ANGLES ± 1°	
INSUL RANGE -	CHK J ELIAS	
SURF AREA -	DWN A LOPEZ	APVD J ELIAS

Tyco Electronics México, SA Tlanepantla, MEX 54060			
NAME FASTIN FASTON TAB .250 SERIES			
SCALE NTS	SIZE A3	DRAWING NO C - 155378	REV L
SHEET 1 OF 1			

LOC AF						APPL FEED -	TRIMMING BURR -
DIST 50	P	LTR	REV PER 063A-0553-02	DATE	JR DWN	NO APVD	REELING -
REVISION RECORD							SPLICE -

THIS INFORMATION IS CONFIDENTIAL AND PROPRIETARY TO TYCO ELECTRONICS CORPORATION AND ITS WORLDWIDE SUBSIDIARIES AND AFFILIATES. IT MAY NOT BE DISCLOSED TO ANYONE OTHER THAN TYCO ELECTRONICS PERSONNEL WITHOUT WRITTEN AUTHORIZATION FROM TYCO ELECTRONICS CORPORATION, HARRISBURG, PENNSYLVANIA USA.