



Chipsmall Limited consists of a professional team with an average of over 10 year of expertise in the distribution of electronic components. Based in Hongkong, we have already established firm and mutual-benefit business relationships with customers from,Europe,America and south Asia,supplying obsolete and hard-to-find components to meet their specific needs.

With the principle of “Quality Parts,Customers Priority,Honest Operation,and Considerate Service”,our business mainly focus on the distribution of electronic components. Line cards we deal with include Microchip,ALPS,ROHM,Xilinx,Pulse,ON,Everlight and Freescale. Main products comprise IC,Modules,Potentiometer,IC Socket,Relay,Connector.Our parts cover such applications as commercial,industrial, and automotives areas.

We are looking forward to setting up business relationship with you and hope to provide you with the best service and solution. Let us make a better world for our industry!



Contact us

Tel: +86-755-8981 8866 Fax: +86-755-8427 6832

Email & Skype: info@chipsmall.com Web: www.chipsmall.com

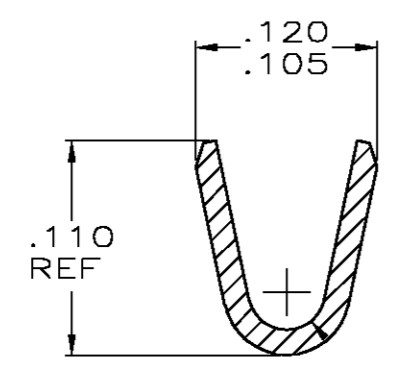
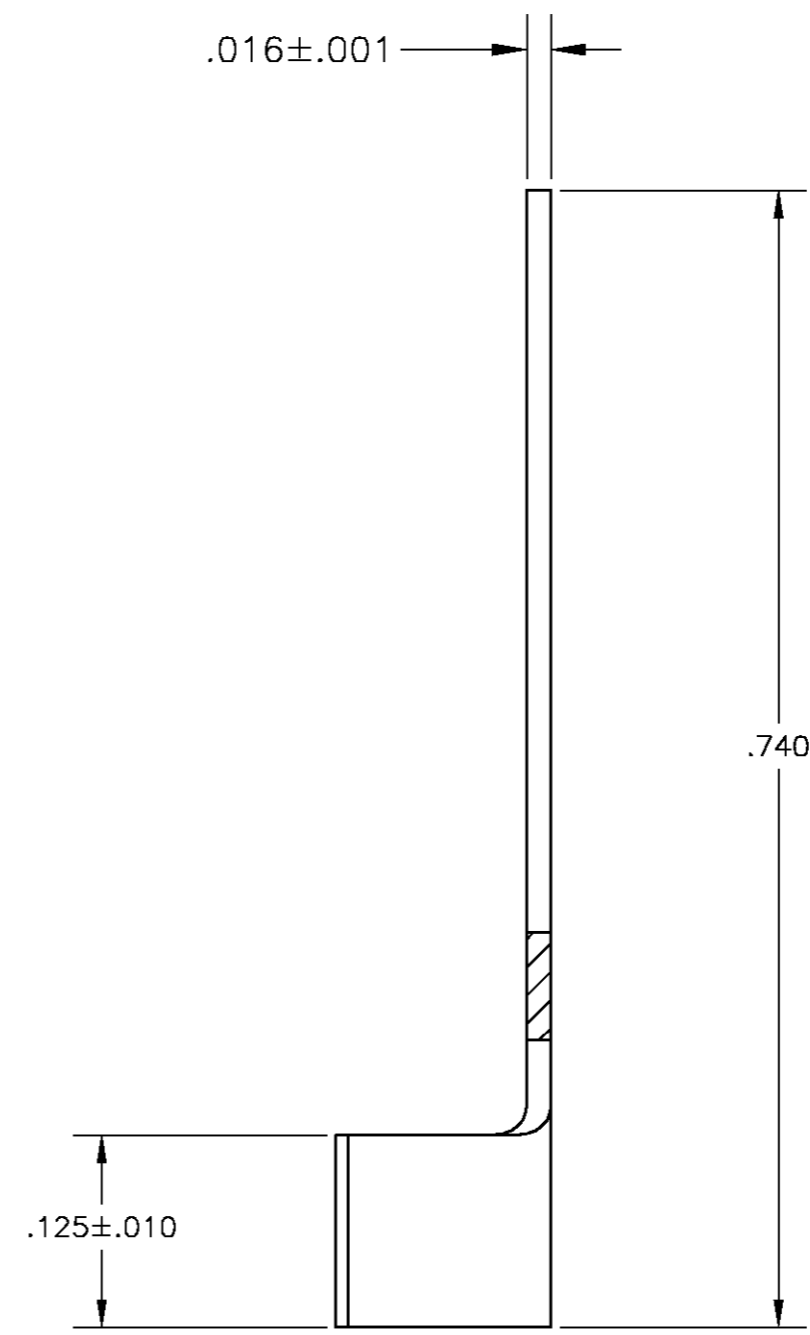
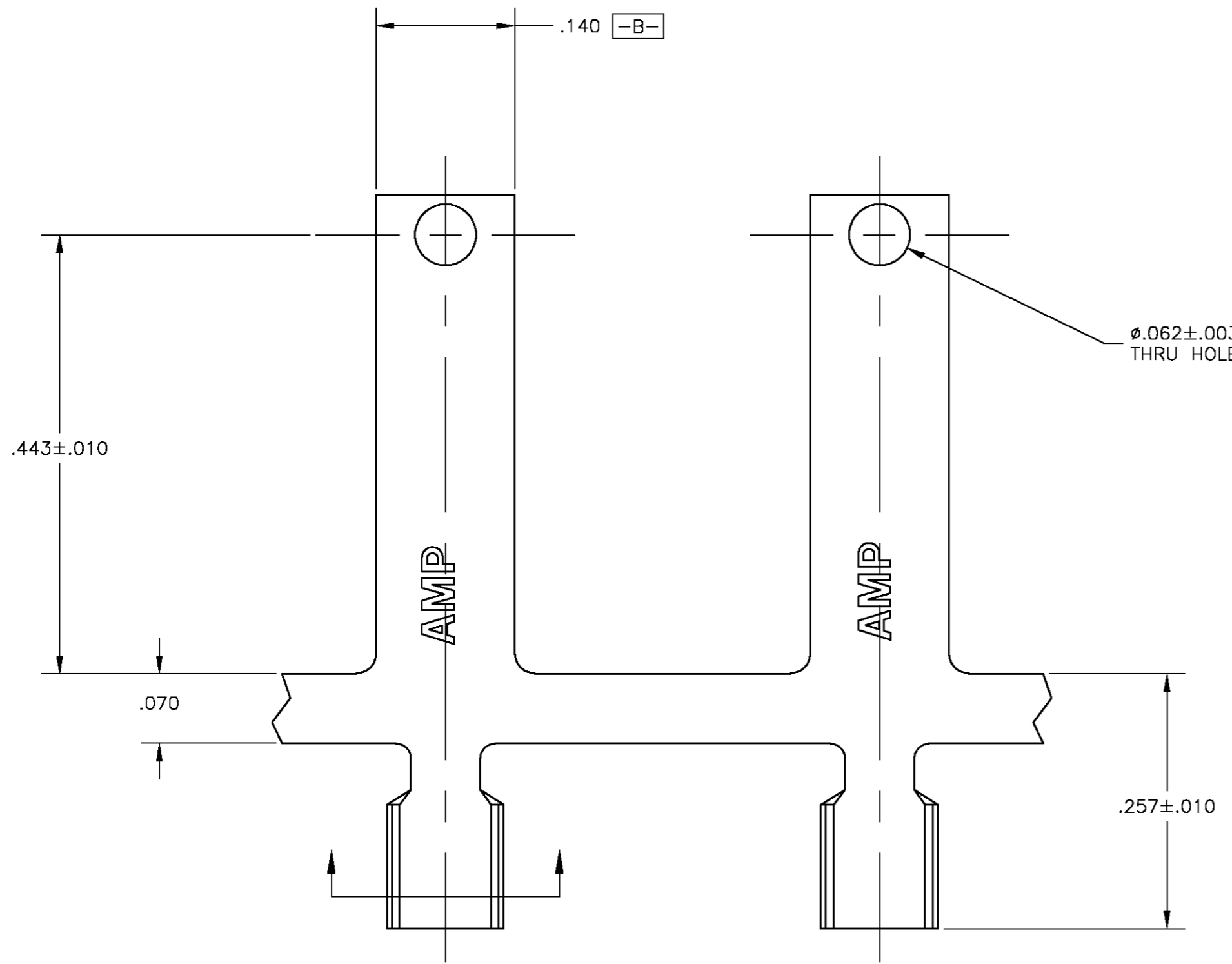
Address: A1208, Overseas Decoration Building, #122 Zhenhua RD., Futian, Shenzhen, China



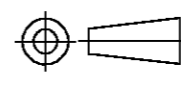
THIS DRAWING IS UNPUBLISHED. RELEASED FOR PUBLICATION
 © COPYRIGHT BY TYCO ELECTRONICS CORPORATION. ALL RIGHTS RESERVED.

LOC	DIST	REVISIONS			
P	LTR	DESCRIPTION	DATE	DWN	APVD
AF	50	D	REVISED PER 0G3A-0167-04	22MAR04	MF GP

- ① REELING DIRECTION FOR STANDARD APPLICATOR.
- ② REELING DIRECTION FOR MINI APPLICATOR.
- 3 CONTINUOUS STRIP ON REELS.
- 4 WIRE RANGE: #22-#18 AWG.



②	-	155386-3
①	TIN PLATED	155386-2
①	-	155386-1
REELING	FINISH	PART NUMBER

THIS DRAWING IS A CONTROLLED DOCUMENT.		DWN MICHAEL S. FEHER 22MAR2004	Tyco Electronics Corporation Harrisburg, Pa 17105-3608	
DIMENSIONS: INCHES	TOLERANCES UNLESS OTHERWISE SPECIFIED:	CHK GARY D. PORTA 22MAR2004	NAME - CONTACT, SPRING	
	0 PLC ± -	APVD GARY D. PORTA 22MAR2004	SIZE A2	
	1 PLC ± -	PRODUCT SPEC	CAGE CODE 00779	
	2 PLC ± -	APPLICATION SPEC	DRAWING NO C=155386	
	3 PLC ± .010		RESTRICTED TO -	
	4 PLC ± -		SCALE 10:1	
	ANGLES ± -		SHEET 1 OF 1	
MATERIAL 4M BRASS	FINISH SEE TABLE	WEIGHT -	REV D	
CUSTOMER DRAWING				

155386