



Chipsmall Limited consists of a professional team with an average of over 10 year of expertise in the distribution of electronic components. Based in Hongkong, we have already established firm and mutual-benefit business relationships with customers from,Europe,America and south Asia,supplying obsolete and hard-to-find components to meet their specific needs.

With the principle of “Quality Parts,Customers Priority,Honest Operation,and Considerate Service”,our business mainly focus on the distribution of electronic components. Line cards we deal with include Microchip,ALPS,ROHM,Xilinx,Pulse,ON,Everlight and Freescale. Main products comprise IC,Modules,Potentiometer,IC Socket,Relay,Connector.Our parts cover such applications as commercial,industrial, and automotives areas.

We are looking forward to setting up business relationship with you and hope to provide you with the best service and solution. Let us make a better world for our industry!



Contact us

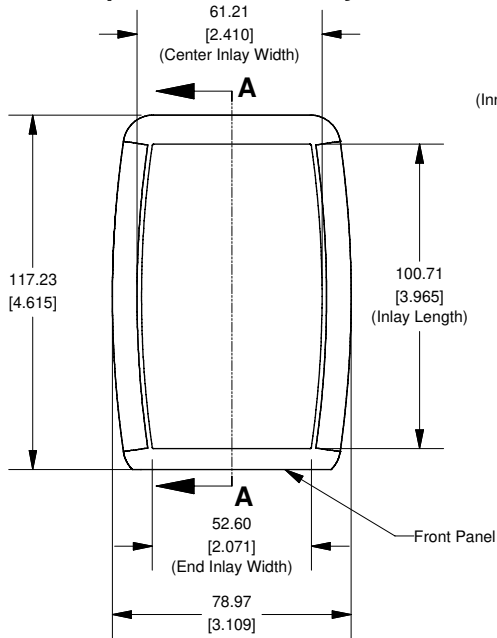
Tel: +86-755-8981 8866 Fax: +86-755-8427 6832

Email & Skype: info@chipsmall.com Web: www.chipsmall.com

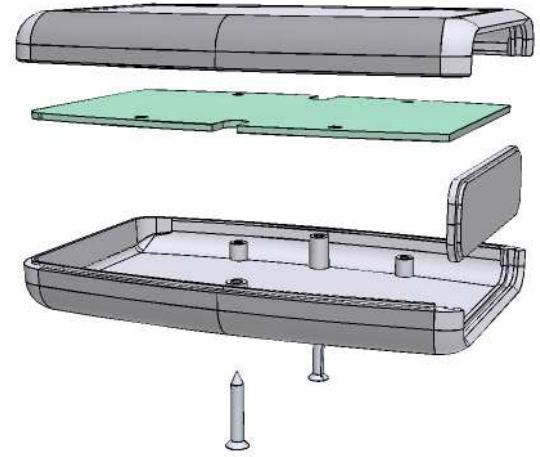
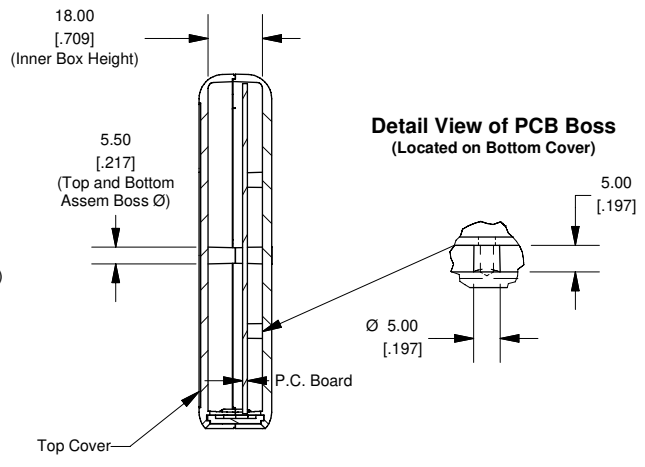
Address: A1208, Overseas Decoration Building, #122 Zhenhua RD., Futian, Shenzhen, China



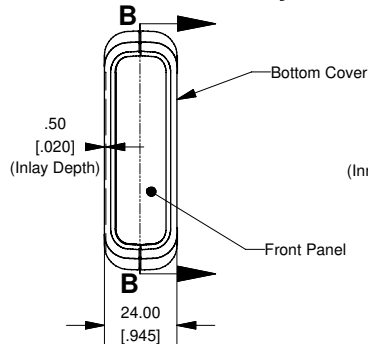
Top View of Assembly



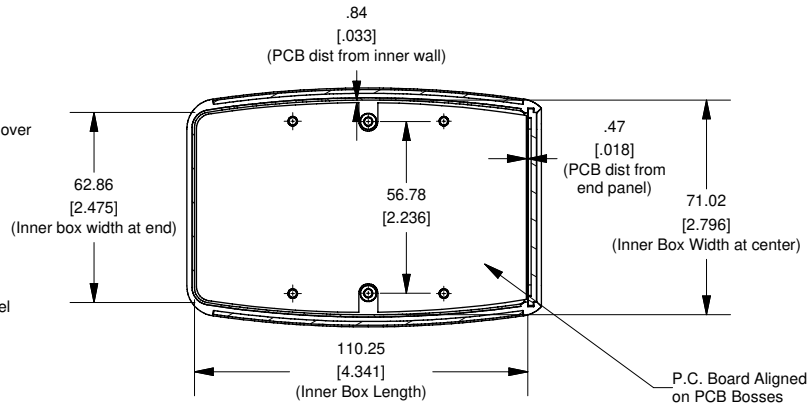
SECTION A-A (Side View Inside Assembly)



End View of Assembly



SECTION B-B (Inside of Bottom Cover)



Enclosures can be Factory Modified (Milling, Drilling, Printing etc.)
 Solid models of this enclosure available in STEP or IGES.
 Contact Factory mjm@hammondmfg.com

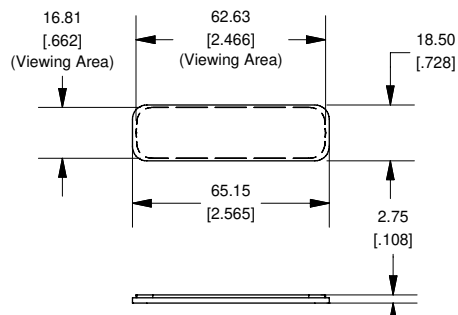
NOTE

Enclosure molded from GP ABS (UL94-HB) plastic.
 Purchased assembly includes top and bottom cover, front plastic panel and 2 cover screws.

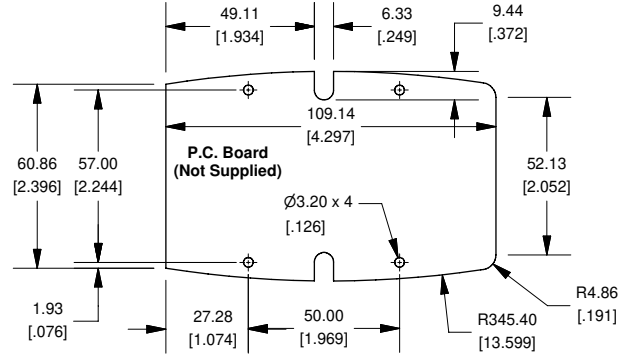
PART NUMBERS

1553B Enclosure	
Black Enclosure/Grey Over-mold	1553BBK
Red Enclosure/Black Over-mold	1553BGY
Translucent Blue Enclosure/Black Over-mold	1553BTBUBK
Yellow Enclosure/Black Over-mold	1553BYLKB
Grey Enclosure/Grey Over-mold	1553BGYBAT
ACCESSORIES	
Cover Screws (Pkg 100)	1593MS100 (Silver)
#4 x 5/8" self-tapping oval head (15.9mm)	1593MS100BK (Black)
P.C. Board Screws	1593ATS50 (Pkg 50)
#4 x 1/4" self-tapping (6.4mm)	1593ATS100 (Pkg 100)
Belt or Pocket Clip	1599CLIP (Black) 1599CLIPGY (Grey)

Front/Rear Panel (Dashed Line Indicates Viewing Area)



Maximum P.C. Board Size



HAMMOND MANUFACTURING™
1553B
www.hammondmfg.com