



Chipsmall Limited consists of a professional team with an average of over 10 year of expertise in the distribution of electronic components. Based in Hongkong, we have already established firm and mutual-benefit business relationships with customers from,Europe,America and south Asia,supplying obsolete and hard-to-find components to meet their specific needs.

With the principle of “Quality Parts,Customers Priority,Honest Operation,and Considerate Service”,our business mainly focus on the distribution of electronic components. Line cards we deal with include Microchip,ALPS,ROHM,Xilinx,Pulse,ON,Everlight and Freescale. Main products comprise IC,Modules,Potentiometer,IC Socket,Relay,Connector.Our parts cover such applications as commercial,industrial, and automotives areas.

We are looking forward to setting up business relationship with you and hope to provide you with the best service and solution. Let us make a better world for our industry!



Contact us

Tel: +86-755-8981 8866 Fax: +86-755-8427 6832

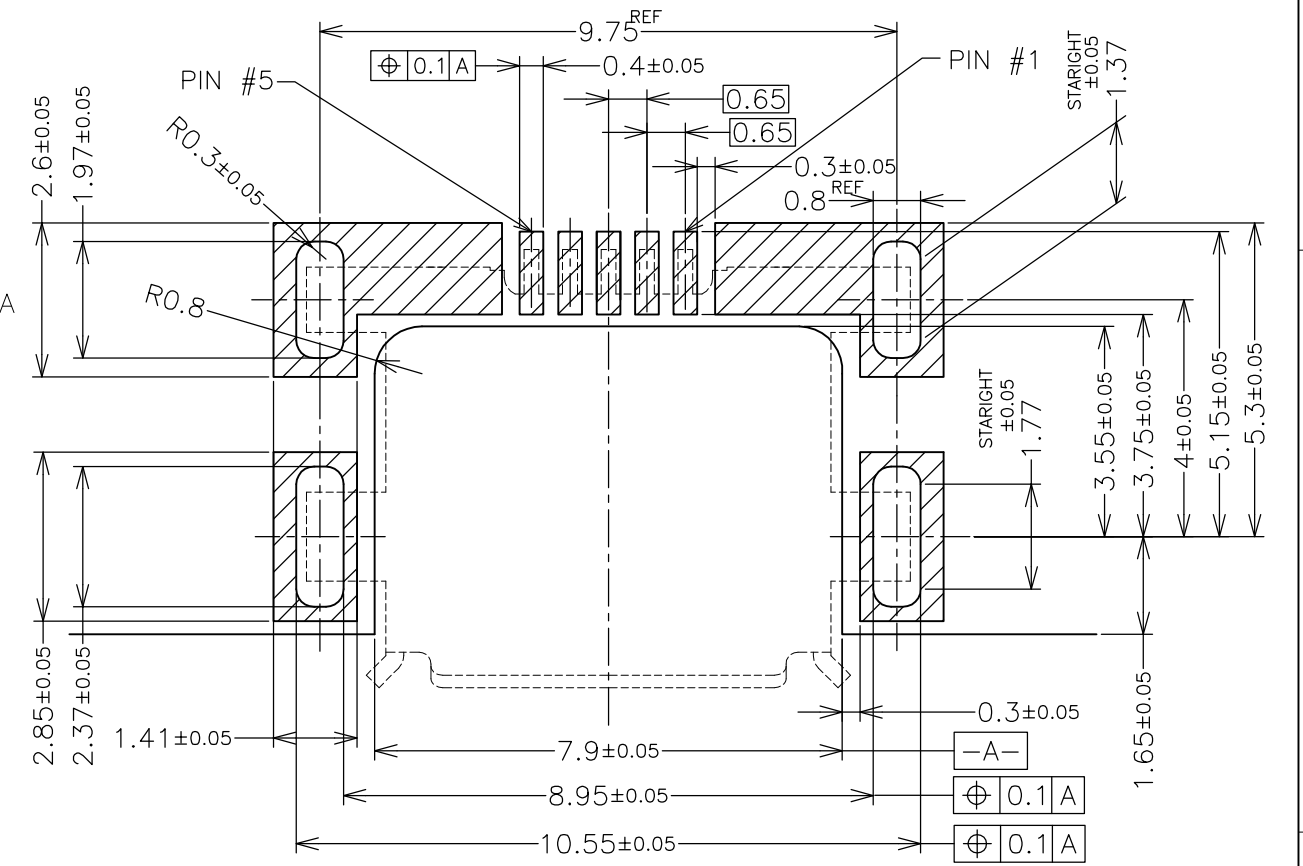
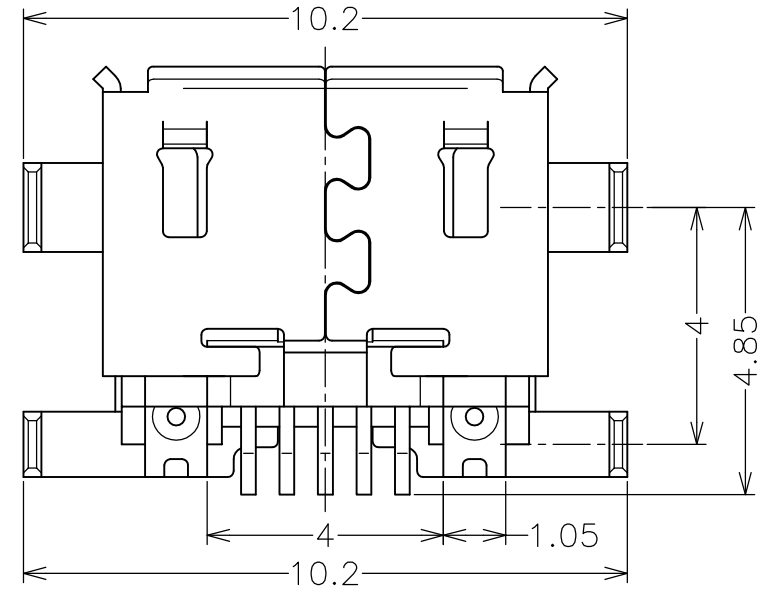
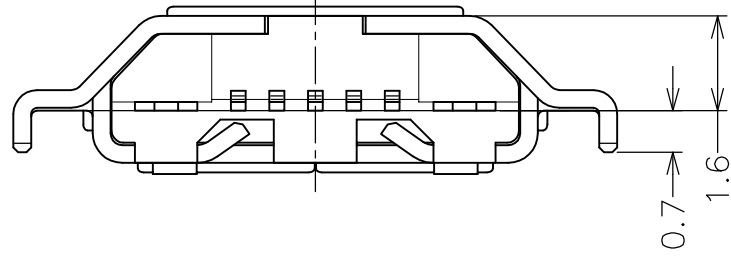
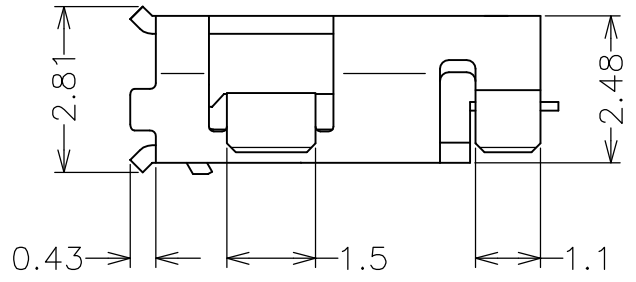
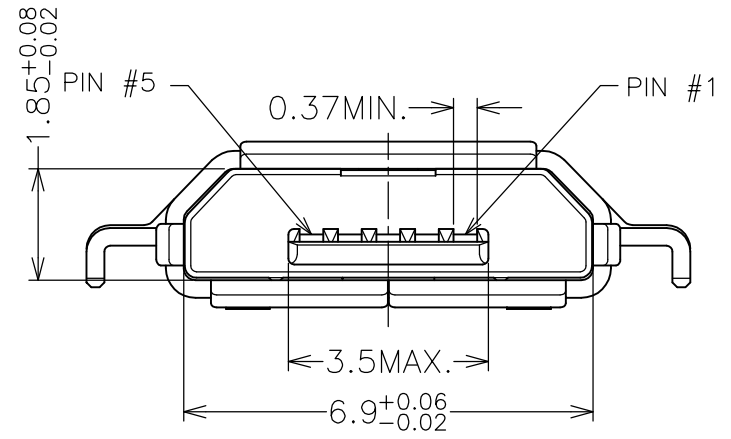
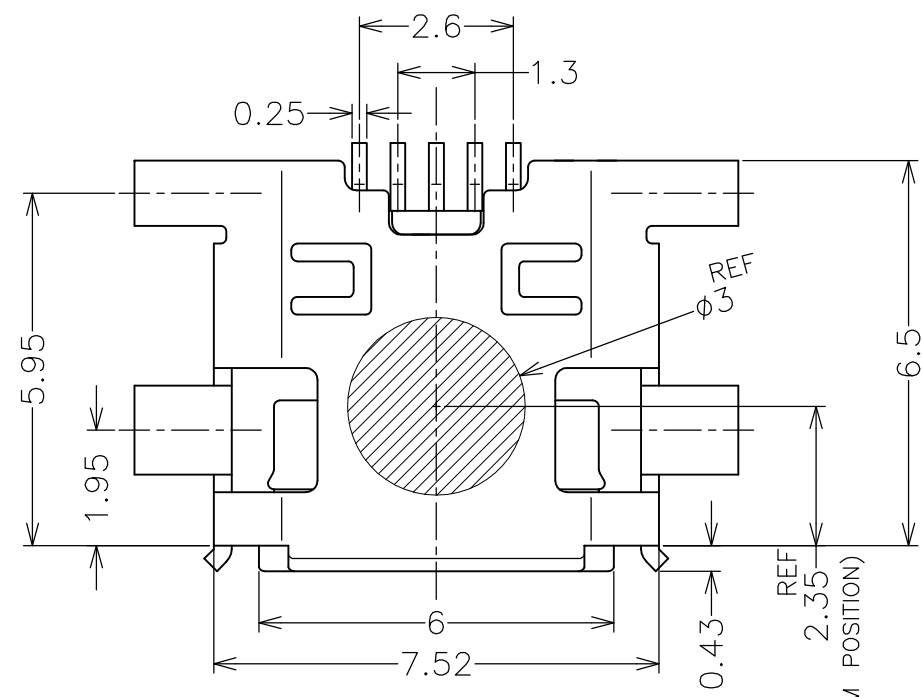
Email & Skype: info@chipsmall.com Web: www.chipsmall.com

Address: A1208, Overseas Decoration Building, #122 Zhenhua RD., Futian, Shenzhen, China



LOC		DIST		REVISIONS			
P	LTR	DESCRIPTION		DATE	DWN	APVD	
ES	00	B		RELEASED PER ECR-11-023984	22DEC10	T.Q	S.Y

- 1 GENERAL TOLERANCE : ±0.3
- 2 CONTACT TINE COPLANALITY ; 0.08mmMAX
- 3 MATERIAL
 HOUSING: THERMO-PLASTICS,UL94V-0
 CONTACT: COPPER ALLOY
 SHELL: COPPER ALLOY
- 4 FINISH
 CONTACT ; Ni UNDER PLATING ALL OVER
 Au PLATING ON SOLDERING AREA
 Au PLATING ON CONTACT AREA
 SHELL ; Ni UNDER PLATING ALL OVER
 Sn PLATING ALL OVER
- 5 PREVENTION OF WRENCHING
 PLEASE SET THE CASE TO TOP SIDE AND
 BOTTOM SIDE OF CONNECTOR.



RECOMMENDED PATTERN LAYOUT

THIS DRAWING IS A CONTROLLED DOCUMENT.		DWN	Tommy Qian	22DEC2010	Tyco Electronics Corporation Shanghai, P.R.China 200233
DIMENSIONS: mm		CHK	Martin Li	22DEC2010	
TOLERANCES UNLESS OTHERWISE SPECIFIED:		APVD	Steven Yao	22DEC2010	
0 PLC ± 0.3 1 PLC ± 0.3 2 PLC ± 0.3 3 PLC ± 0.3 4 PLC ± 0.3 ANGLES ± 3°		PRODUCT SPEC 108-78434		NAME MICRO USB CONNECTOR MID-MOUNT DIP REVERSE TYPE	
MATERIAL		FINISH		APPLICATION SPEC WEIGHT A300779	RESTRICTED TO —
CUSTOMER DRAWING				DRAWING NO C=1554266	SCALE 8:1 SHEET 1 of 2 REV B

4

3

2

1

THIS DRAWING IS UNPUBLISHED.

RELEASED FOR PUBLICATION

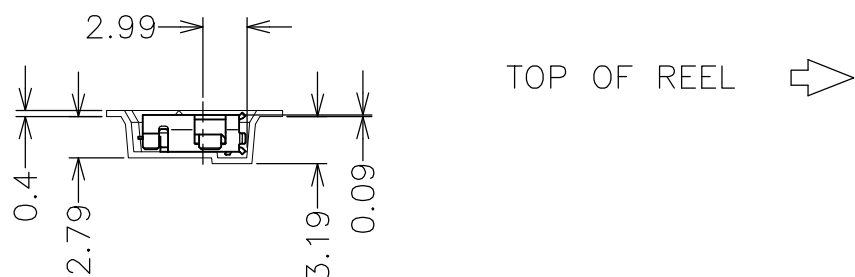
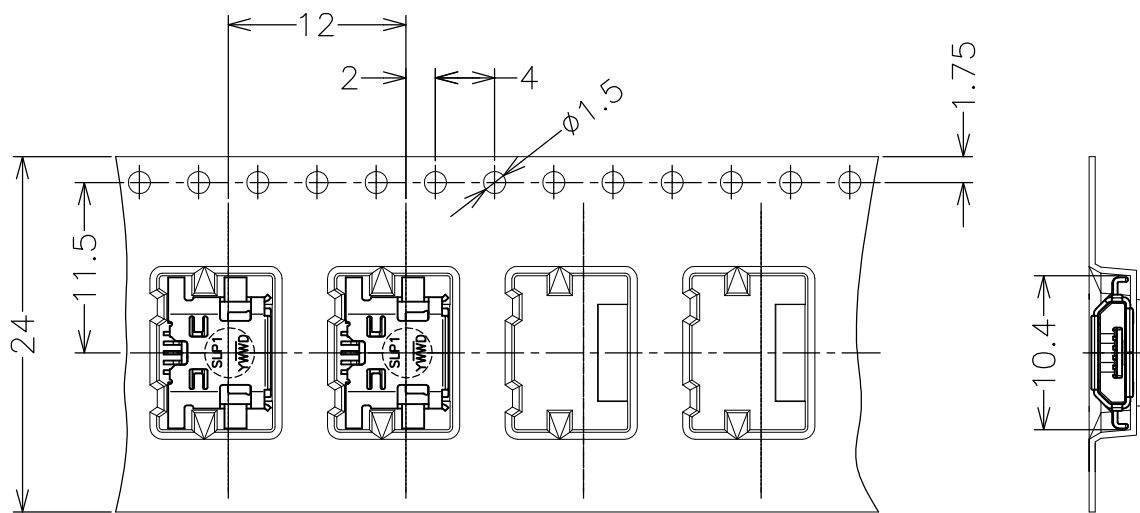
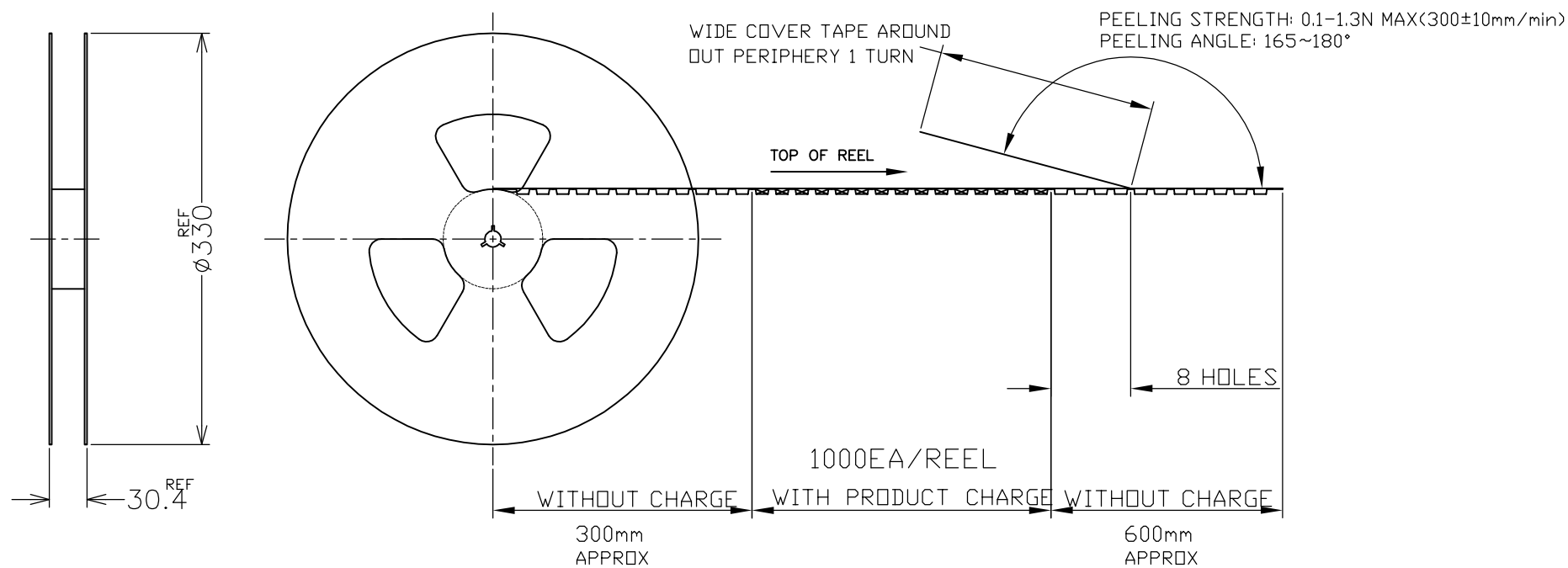
© COPYRIGHT BY TYCO ELECTRONICS CORPORATION.

ALL RIGHTS RESERVED.

LOC ES DIST 00

REVISIONS

P	LTR	DESCRIPTION	DATE	DWN	APVD
-	-	SEE SHEET 1	-	-	-



THIS DRAWING IS A CONTROLLED DOCUMENT.		DWN	Tyco Electronics Corporation Shanghai, P.R.China 200233		
DIMENSIONS: mm		CHK	NAME		
TOLERANCES UNLESS OTHERWISE SPECIFIED:		APVD	MICRO USB CONNECTOR MID-MOUNT DIP REVERSE TYPE		
0 PLC ± -		PRODUCT SPEC	SIZE	CAGE CODE	DRAWING NO
1 PLC ± -		APPLICATION SPEC	A3	00779	C=1554266
2 PLC ± -		WEIGHT	RESTRICTED TO		
3 PLC ± -		CUSTOMER DRAWING	-		
4 PLC ± -		SCALE	8:1	SHEET	2 of 2
ANGLES ± -		REV	B		
MATERIAL					
FINISH					