



Chipsmall Limited consists of a professional team with an average of over 10 year of expertise in the distribution of electronic components. Based in Hongkong, we have already established firm and mutual-benefit business relationships with customers from,Europe,America and south Asia,supplying obsolete and hard-to-find components to meet their specific needs.

With the principle of “Quality Parts,Customers Priority,Honest Operation,and Considerate Service”,our business mainly focus on the distribution of electronic components. Line cards we deal with include Microchip,ALPS,ROHM,Xilinx,Pulse,ON,Everlight and Freescale. Main products comprise IC,Modules,Potentiometer,IC Socket,Relay,Connector.Our parts cover such applications as commercial,industrial, and automotives areas.

We are looking forward to setting up business relationship with you and hope to provide you with the best service and solution. Let us make a better world for our industry!



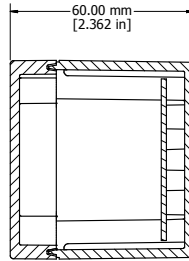
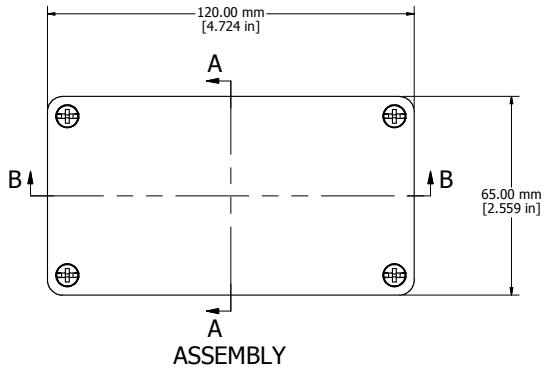
## Contact us

Tel: +86-755-8981 8866 Fax: +86-755-8427 6832

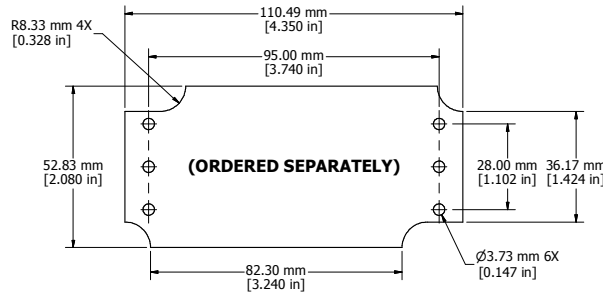
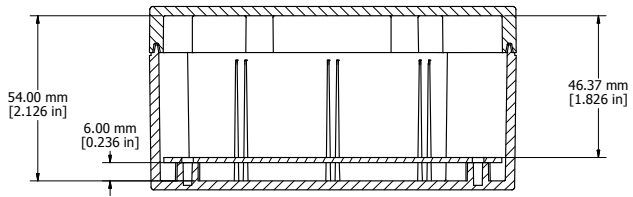
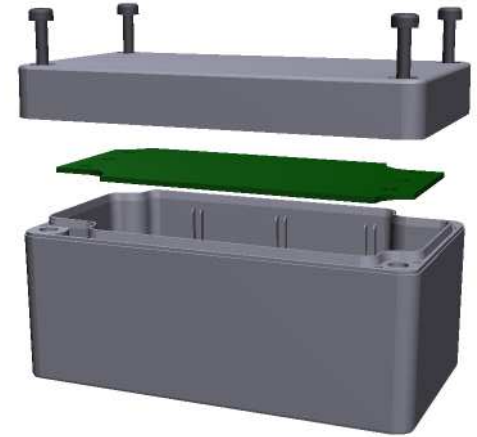
Email & Skype: info@chipsmall.com Web: www.chipsmall.com

Address: A1208, Overseas Decoration Building, #122 Zhenhua RD., Futian, Shenzhen, China



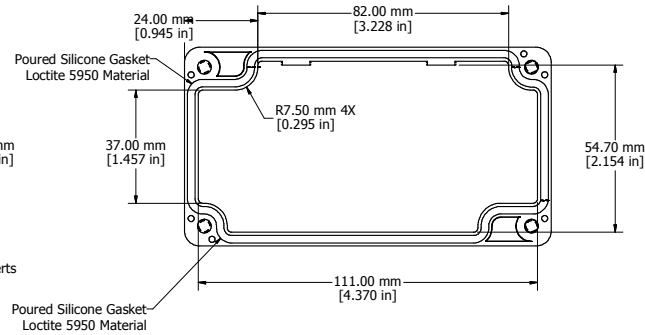
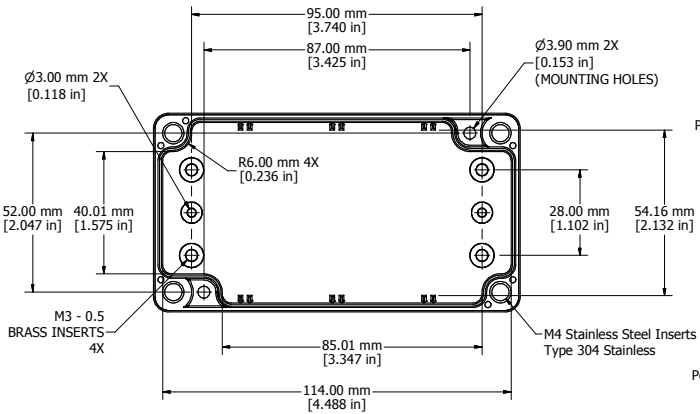


UL LISTED  
File #E65324  
NEMA 4, 4X



Enclosures can be Factory Modified ( Milling, Drilling, Printing etc. )  
Solid models of this enclosure available in STEP or IGES.  
Contact Factory [mjm@hammondmg.com](mailto:mjm@hammondmg.com)

| NOTE  |  |
|---|--|
| Purchased assembly includes box, lid, and 4 cover screws            |  |
| Recommended Cover screw torque -- 2.5 lbf-in (30 cN-m)              |  |
| Polycarbonate version is UL 508 approved Matl UL94 - V0 / 5VA @ 3mm |  |



| 1554D   |            |
|---|------------|
| 1554D Regular Enclosure   |            |
| General Purpose ABS RAL-7035  | 1554DGY    |
| Polycarbonate RAL-7035  | 1554D2GY   |
| 1554D Clear / Smoke Lid Enclosure   |            |
| Polycarbonate Box / Clear Polycarbonate Lid                                   | 1554D2GYCL |
| Polycarbonate Box / Smoke Polycarbonate Lid                                   | 1554D2GYSL |
| ACCESSORIES   |            |
| Heavy Duty 16 Gauge Galvanized Steel Panels                                   | 1554CPL    |
| Steel Panel / P.C. Board Machine Screw [M3 x 8mm Nickel Plated]               | 1591MM100  |
| Steel Panel / P.C. Board Self Tapping Screw [#6 X 1/4" (6.4mm) Nickel Plated] | 1598ATS100 |
| Cover Screws (Pkg 4) [M4 X 20mm Type 304 Stainless Steel]                     | SC1554     |

