



Chipsmall Limited consists of a professional team with an average of over 10 year of expertise in the distribution of electronic components. Based in Hongkong, we have already established firm and mutual-benefit business relationships with customers from,Europe,America and south Asia,supplying obsolete and hard-to-find components to meet their specific needs.

With the principle of “Quality Parts,Customers Priority,Honest Operation,and Considerate Service”,our business mainly focus on the distribution of electronic components. Line cards we deal with include Microchip,ALPS,ROHM,Xilinx,Pulse,ON,Everlight and Freescale. Main products comprise IC,Modules,Potentiometer,IC Socket,Relay,Connector.Our parts cover such applications as commercial,industrial, and automotives areas.

We are looking forward to setting up business relationship with you and hope to provide you with the best service and solution. Let us make a better world for our industry!



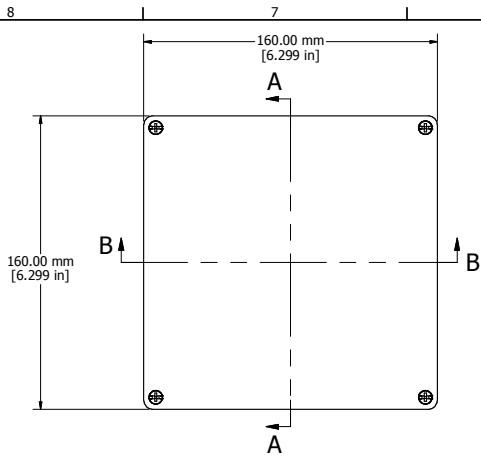
## Contact us

Tel: +86-755-8981 8866 Fax: +86-755-8427 6832

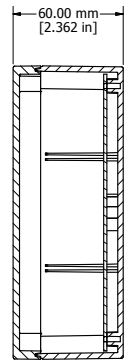
Email & Skype: info@chipsmall.com Web: www.chipsmall.com

Address: A1208, Overseas Decoration Building, #122 Zhenhua RD., Futian, Shenzhen, China

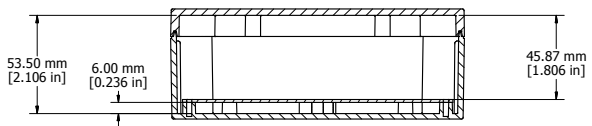




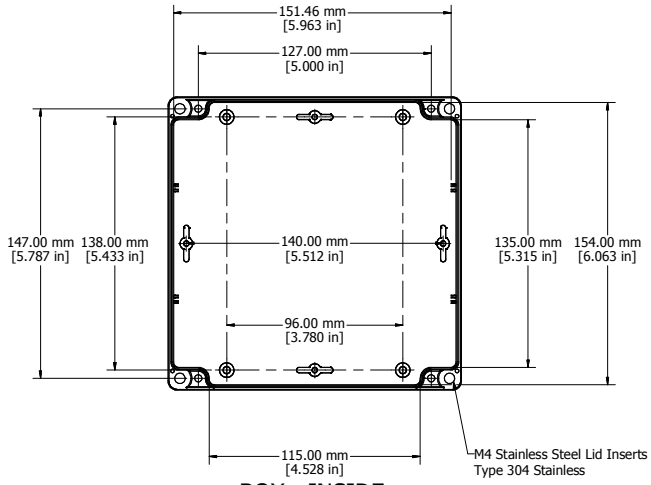
ASSEMBLY



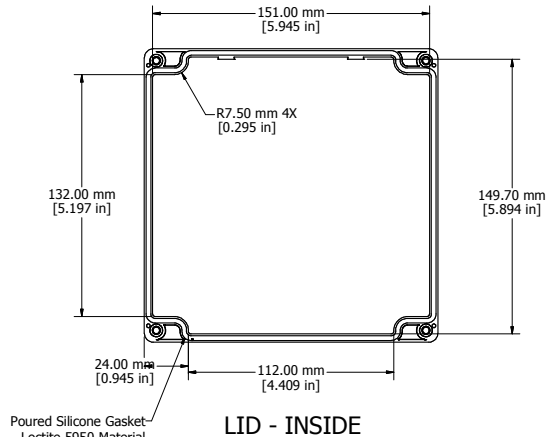
SECTION A-A



SECTION B-B

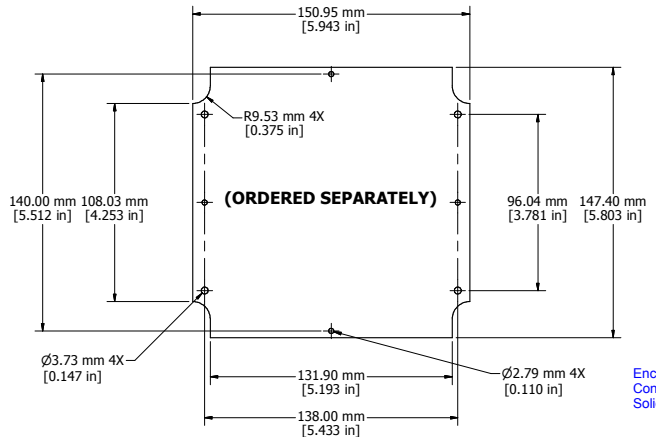
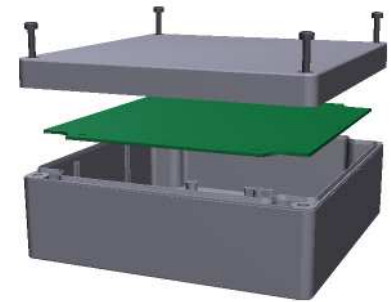


BOX - INSIDE



LID - INSIDE

File #E65324  
NEMA 4, 4X



STEEL INNER PANEL

Enclosures can be Factory Modified ( Milling, Drilling, Printing etc. )  
Contact [mjm@hammondmg.com](mailto:mjm@hammondmg.com) for Quotes.  
Solid models of this enclosure available in STEP or IGES see Web.

NOTE	
Purchased assembly includes box, lid, and 4 cover screws	
Recommended Cover screw torque -- 2.5 lbf-in (30 cN-m)	
Polycarbonate version is UL 508 approved Matl UL94 - V0 / 5VA @ 3mm	

1554R	
<b>1554R Regular Enclosure</b>	
General Purpose ABS RAL-7035	1554RGY
Polycarbonate RAL-7035	1554R2GY
<b>1554R Clear / Smoke Lid Enclosure</b>	
Polycarbonate Box / Clear Polycarbonate Lid	1554R2GYCL
Polycarbonate Box / Smoke Polycarbonate Lid	1554R2GYSL
<b>ACCESSORIES</b>	
Heavy Duty 16 Gauge Galvanized Steel Panels	1554RPL
Steel Panel / P.C. Board Machine Screw [M3 x 8mm Nickel Plated]	1591MM100
Steel Panel / P.C. Board Self Tapping Screw [#6 X 1/4" (6.4mm) Nickel Plated]	1598ATS100
Cover Screws (Pkg 4) [M4 X 20mm Type 304 Stainless Steel]	SC1554

