



Chipsmall Limited consists of a professional team with an average of over 10 year of expertise in the distribution of electronic components. Based in Hongkong, we have already established firm and mutual-benefit business relationships with customers from,Europe,America and south Asia,supplying obsolete and hard-to-find components to meet their specific needs.

With the principle of “Quality Parts,Customers Priority,Honest Operation,and Considerate Service”,our business mainly focus on the distribution of electronic components. Line cards we deal with include Microchip,ALPS,ROHM,Xilinx,Pulse,ON,Everlight and Freescale. Main products comprise IC,Modules,Potentiometer,IC Socket,Relay,Connector.Our parts cover such applications as commercial,industrial, and automotives areas.

We are looking forward to setting up business relationship with you and hope to provide you with the best service and solution. Let us make a better world for our industry!



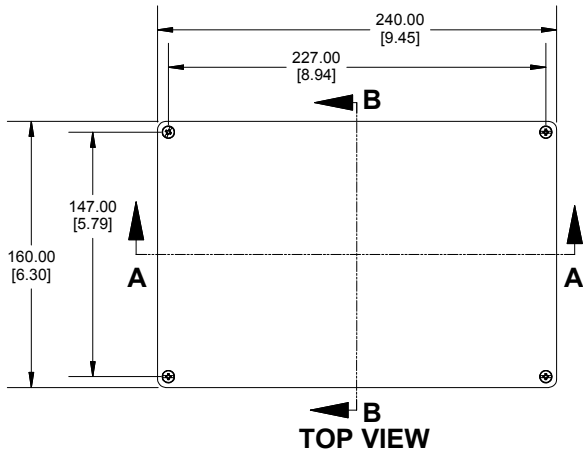
## Contact us

Tel: +86-755-8981 8866 Fax: +86-755-8427 6832

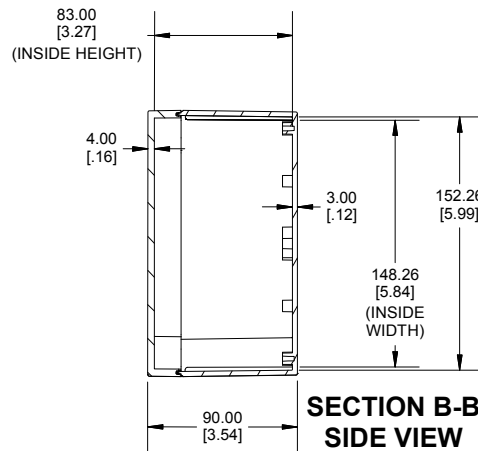
Email & Skype: info@chipsmall.com Web: www.chipsmall.com

Address: A1208, Overseas Decoration Building, #122 Zhenhua RD., Futian, Shenzhen, China

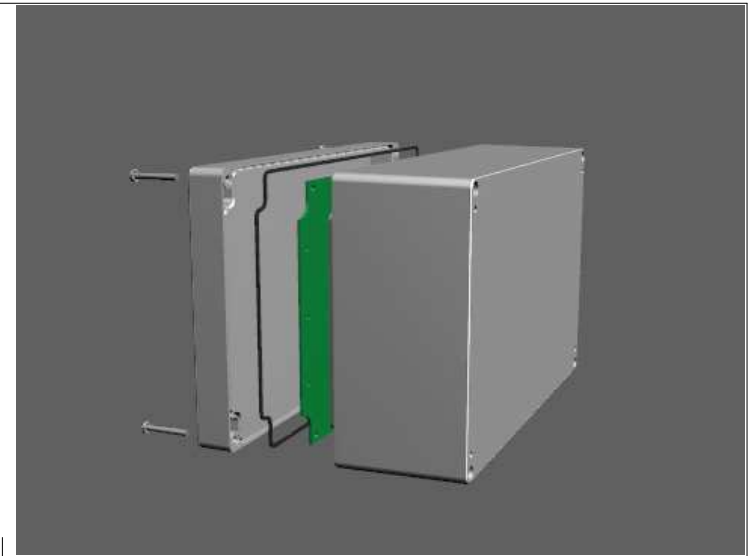




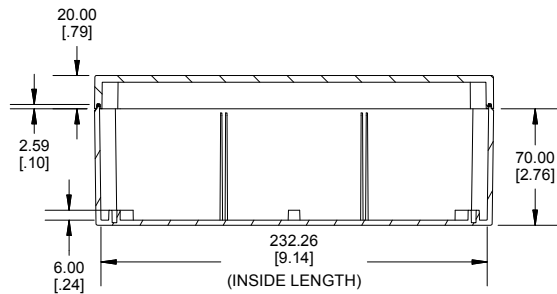
**TOP VIEW**



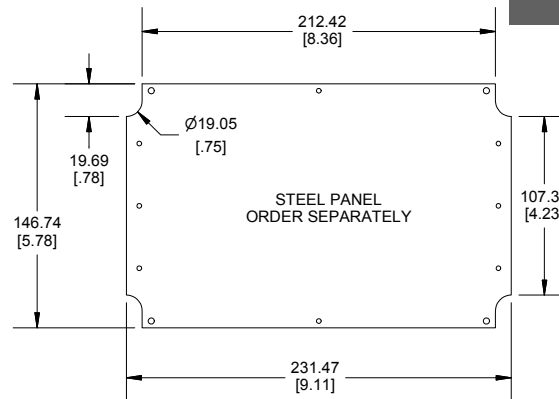
**SECTION B-B  
SIDE VIEW**



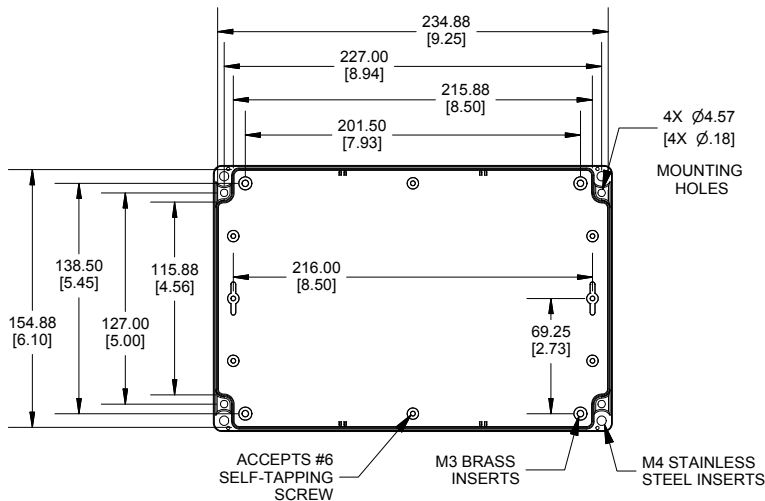
POLYCARBONATE  
VERSION ONLY  
 **US LISTED**  
 FILE #E65324  
 TYPE 4, 4X



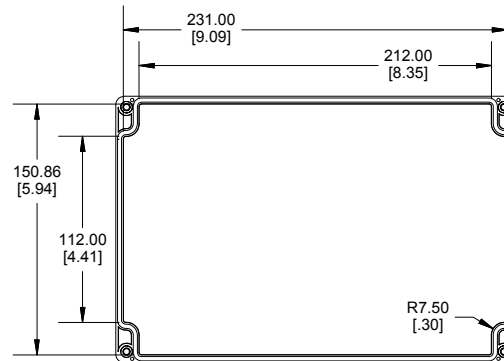
**SECTION A-A  
SIDE VIEW**



**STEEL PANEL  
ORDER SEPARATELY**



**INSIDE BOX**



**INSIDE LID**

Enclosures can be Factory Modified ( Milling, Drilling, Printing etc.)  
 Contact Factory [mjm@hammondmg.com](mailto:mjm@hammondmg.com) for quotes  
 Solid models of this enclosure available in STEP or IGES.  
 (Part number and text placement/orientation on our products are subject to change,  
 we do not recommend using them as a locating reference for modification purposes)

**NOTE**  
 Purchased assembly includes box, lid, 4 cover screws, and preformed silicone gasket.  
 General Purpose ABS version is not UL approved. (Matl UL94 - HB)  
 Polycarbonate version is UL 508A approved. (Matl UL94 - 5VA @ 3mm)  
**Recommended Cover screw torque -- 71-85 ozf-in (50-60 cN-m)**

| 1554V  |             |
|--|-------------|
| 1554V Regular Enclosure  |             |
| General Purpose ABS RAL-7035   | 1554VGY     |
| Polycarbonate RAL-7035   | 1554V2GY    |
| 1554V Clear / Smoke Lid Enclosure  |             |
| Polycarbonate Box / Clear Polycarbonate Lid                                      | 1554V2GYCL  |
| Polycarbonate Box / Smoke Polycarbonate Lid                                      | 1554V2GYSL  |
| ACCESSORIES  |             |
| Steel Inner Panels   | 1554VPL     |
| Steel Panel / P.C. Board Screw [M3-0.5 x 8mm Plated] (Pkg 100)                   | 1591MM100   |
| Steel Panel / P.C. Board Self Tapping Screw [#6 X 1/4" (6.4mm) Plated] (Pkg 100) | 1598ATS100  |
| Stainless Steel Cover Screws [M4-0.7 X 25mm] (Pkg 50)                            | SC583-50    |
| Silicone Pre-formed Gasket Black (Pkg 2)   | 1554VGASKET |

Dimensions:  
mm  
[inches]



**1554V**  
[www.hammondmg.com](http://www.hammondmg.com)