



Chipsmall Limited consists of a professional team with an average of over 10 year of expertise in the distribution of electronic components. Based in Hongkong, we have already established firm and mutual-benefit business relationships with customers from,Europe,America and south Asia,supplying obsolete and hard-to-find components to meet their specific needs.

With the principle of “Quality Parts,Customers Priority,Honest Operation,and Considerate Service”,our business mainly focus on the distribution of electronic components. Line cards we deal with include Microchip,ALPS,ROHM,Xilinx,Pulse,ON,Everlight and Freescale. Main products comprise IC,Modules,Potentiometer,IC Socket,Relay,Connector.Our parts cover such applications as commercial,industrial, and automotives areas.

We are looking forward to setting up business relationship with you and hope to provide you with the best service and solution. Let us make a better world for our industry!



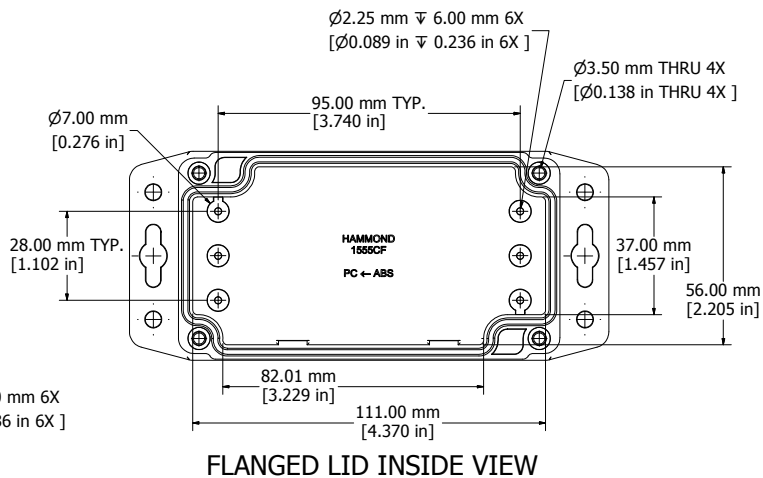
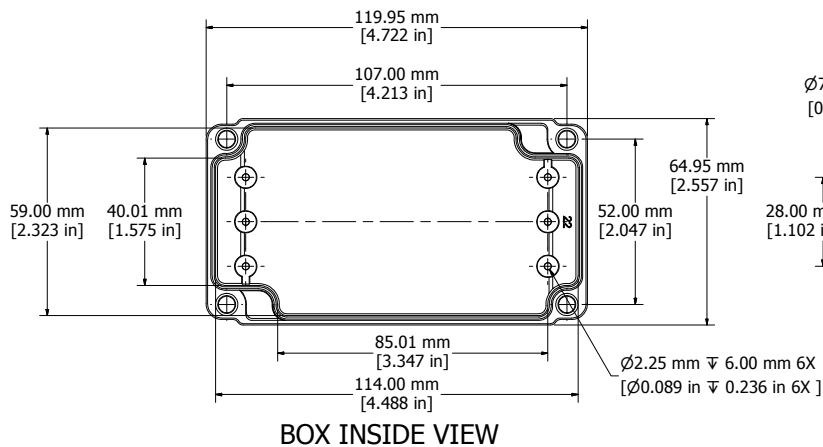
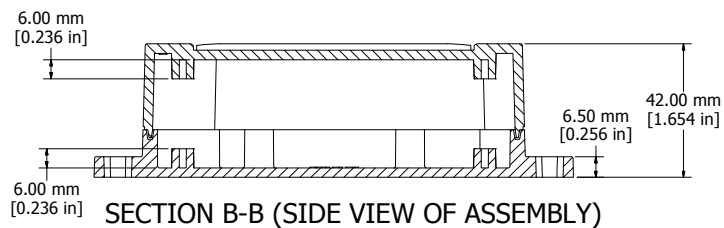
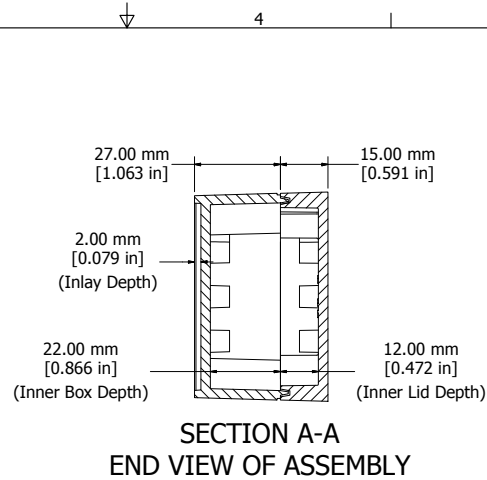
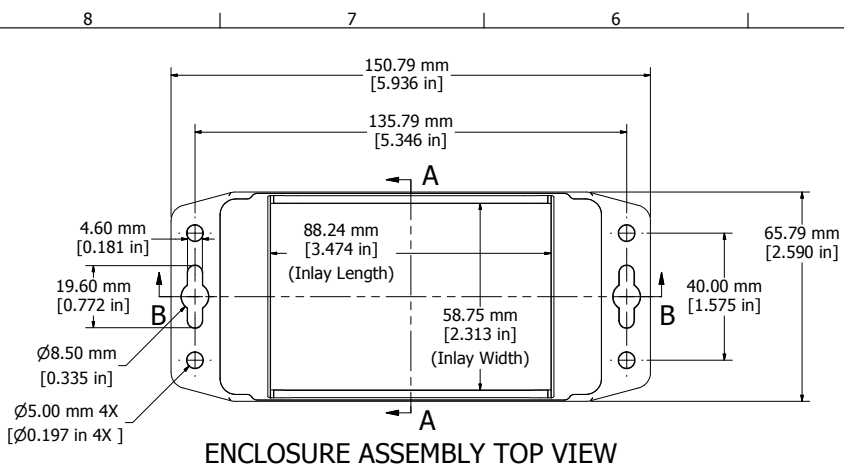
Contact us

Tel: +86-755-8981 8866 Fax: +86-755-8427 6832

Email & Skype: info@chipsmall.com Web: www.chipsmall.com

Address: A1208, Overseas Decoration Building, #122 Zhenhua RD., Futian, Shenzhen, China





Enclosures can be Factory Modified (Milling, Drilling, Printing etc.)
Solid models of this enclosure available in STEP or IGES.
Contact Factory mjm@hammondmfg.com

NOTE	
Purchased Assembly Includes Box, Lid, 4 x M4 x 20 SS Cover Screws & Preformed Silicone Gasket. Steel panel not supplied.	
Cover screws should be torqued to 2.5 lbf-in (30 cN-m)	

1555CF22	
1555CF22 Flanged Enclosure	
General Purpose ABS RAL-7035 UL94-HB	1555CF22GY
Poycarbonate RAL-7035 UL94 - V0 / 5VA @ 3mm	1555C2F22GY
ACCESSORIES	
Heavy Duty 16 Gauge Galvanized Steel Panels	1555CFPL
Steel Panel / P.C. Board Self Tapping Screw [#4 X 1/4" (6.4mm) Nickel Plated]	1555TS100
Cover Screws (Pkg 4)	
[M4 X 20mm Type 304 Stainless Steel]	SC1554

HAMMOND MANUFACTURING™

1555CF22

www.hammondmfg.com