



Chipsmall Limited consists of a professional team with an average of over 10 year of expertise in the distribution of electronic components. Based in Hongkong, we have already established firm and mutual-benefit business relationships with customers from,Europe,America and south Asia,supplying obsolete and hard-to-find components to meet their specific needs.

With the principle of “Quality Parts,Customers Priority,Honest Operation,and Considerate Service”,our business mainly focus on the distribution of electronic components. Line cards we deal with include Microchip,ALPS,ROHM,Xilinx,Pulse,ON,Everlight and Freescale. Main products comprise IC,Modules,Potentiometer,IC Socket,Relay,Connector.Our parts cover such applications as commercial,industrial, and automotives areas.

We are looking forward to setting up business relationship with you and hope to provide you with the best service and solution. Let us make a better world for our industry!



Contact us

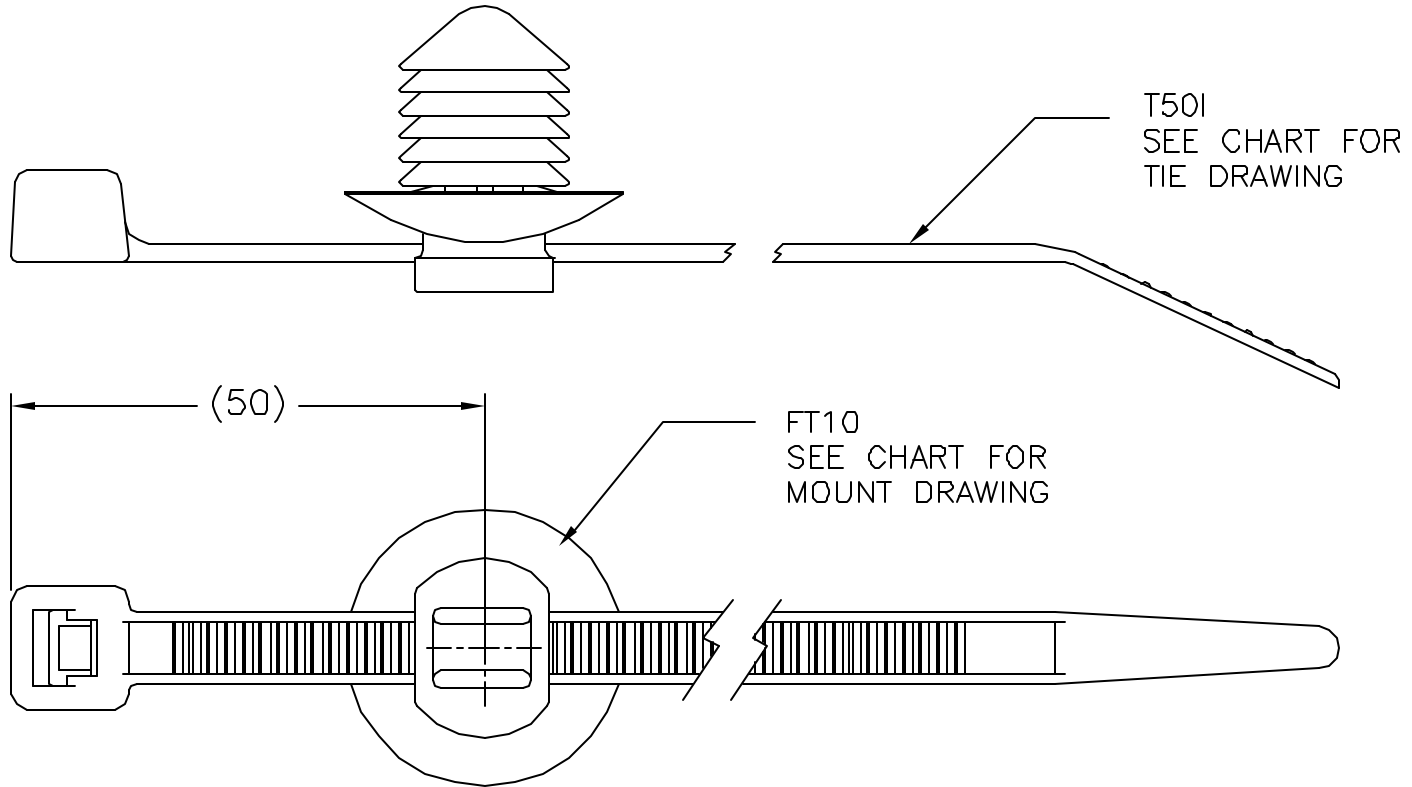
Tel: +86-755-8981 8866 Fax: +86-755-8427 6832

Email & Skype: info@chipsmall.com Web: www.chipsmall.com

Address: A1208, Overseas Decoration Building, #122 Zhenhua RD., Futian, Shenzhen, China



Revision level		Revision Record	Changed	Date	Approved	Date
part	drawing					
-	01	See ECN 010302	A.A.C.	01/03/06	KEN C.	01/06/06



PRODUCT CODE DESCRIPTION

T50IFT10_HS

TIE COLOR
(CONSULT FACTORY FOR AVAILABLE COLORS)

PRODUCT CODE	TIE MATERIAL	BUNDLE RANGE	TIE DRAWING	MOUNT DRAWING
T50IFT10_	PA66HS	1.5 to 85	CT2050008CST	XMT-INSL006CST

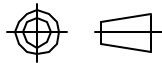
Dimension tolerances unless otherwise specified

- .XXXX = ± .0130
- .XXX = ± .130
- .XX = ± .30
- X = ± .8
- ∠ = ± 0.5°

Dimension Units mm

PERFORMANCE SPECIFICATION

ACAD MECH
2006



ALL PROPRIETARY RIGHTS IN THE SUBJECT MATTER SHOWN ON THIS DRAWING ARE EXCLUSIVE PROPERTY OF HELLERMANN TYTON

Drawn A.A.C. 01/03/06
Approved K.A.C. 01/06/06

HellermannTyton

7930 N. Faulkner Rd.
Milwaukee, WI 53224
Ph: (414) 355-1130
Fx: (414) 362-8338

Scale 2:1 Computer File Number CT\CST\2050051_01

Title **T50IFT10
STANDARD CABLE TIE
WITH FT10 MOUNT**

Drawing-No **CT2050051CST**

Format
AH
Sheet 1 of 1