



Chipsmall Limited consists of a professional team with an average of over 10 year of expertise in the distribution of electronic components. Based in Hongkong, we have already established firm and mutual-benefit business relationships with customers from,Europe,America and south Asia,supplying obsolete and hard-to-find components to meet their specific needs.

With the principle of “Quality Parts,Customers Priority,Honest Operation,and Considerate Service”,our business mainly focus on the distribution of electronic components. Line cards we deal with include Microchip,ALPS,ROHM,Xilinx,Pulse,ON,Everlight and Freescale. Main products comprise IC,Modules,Potentiometer,IC Socket,Relay,Connector.Our parts cover such applications as commercial,industrial, and automotives areas.

We are looking forward to setting up business relationship with you and hope to provide you with the best service and solution. Let us make a better world for our industry!



## Contact us

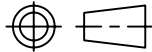
Tel: +86-755-8981 8866 Fax: +86-755-8427 6832

Email & Skype: info@chipsmall.com Web: www.chipsmall.com

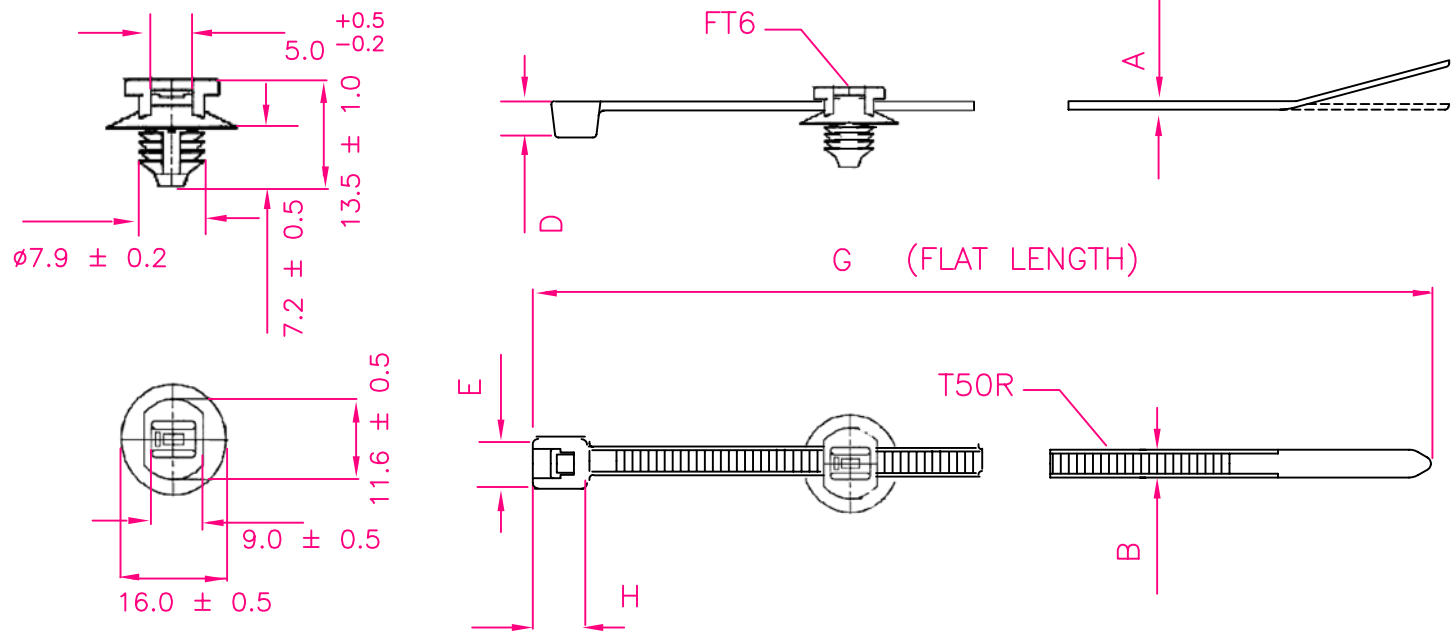
Address: A1208, Overseas Decoration Building, #122 Zhenhua RD., Futian, Shenzhen, China



ACAD



Revision level		Revision Record	Changed	Date	Approved	Date
Part	Drawing					
	01	Bundle (mm) was 1.5 to 110	Mandy Ong	25/04/08	Edward Tan	25/04/08
	02	Product dimensions update (Group Standard – July'08)	Mandy Ong	17/12/08	Edward Tan	17/12/08
	03	Remove bundle diameter	Mandy Ong	28/01/09	Edward Tan	28/01/09
	04	Group Standard revision (July'10) – 202.0 ± 11.0 was 202.0 ± 10.0	Mandy Ong	01/07/10	Edward Tan	01/07/10



Hole size (mm)  
6.5 to 7.0

Panel thickness (mm)  
0.75 to 3.0

Tensile strength  
225N

A	B	D	E	G	H
1.2 ± 0.2	4.6 ± 0.2	5.8 ± 0.3	7.8 ± 0.3	202.0 ± 11.0	7.3 ± 0.7

Material P.A. 66

Dimension without tolerances details to:  
DIN 16901

Tolerances

PERFORMANCE SPECIFICATION

The copyright of this drawing is reserved by HELLERMANN TYTON. It is issued on condition that it is not reproduced, copied or disclosed to a third party, either wholly or in part, without the consent of HELLERMANN TYTON.

Drawn MANDY ONG 10/10/07  
Approved. EDWARD TAN 10/10/07

**HellermannTyton**

545, Yishun Industrial Park A  
Yishun Avenue 7  
Singapore 768741  
Tel: (+65) 6852 8585  
Fax: (+65) 6756 6798

Scale: not to scale Reference:

Title

T50RFT6

Drawing-No

SG07030-04

Uncontrolled Document

Format

A4

Sheet 1 of 1

**Product Number**  
**Cross Reference Record**

Uncontrolled Document

<b>Pre-UNS Number System</b>	<b>(New) UNS Universal Number System</b>	<b>Customer Part Number</b>
Product Number  T50RFT6	Product Number  156-00157	Product Number  -
Reference Drawing Number: XCT-HTS031CST(SG07030-04)		

Issued By:	(New) UNS Product Number	Issue Date:
<b>HellermannTyton</b>	<b>Universal Numbering System</b>	July 26, 2011