



Chipsmall Limited consists of a professional team with an average of over 10 year of expertise in the distribution of electronic components. Based in Hongkong, we have already established firm and mutual-benefit business relationships with customers from,Europe,America and south Asia,supplying obsolete and hard-to-find components to meet their specific needs.

With the principle of “Quality Parts,Customers Priority,Honest Operation,and Considerate Service”,our business mainly focus on the distribution of electronic components. Line cards we deal with include Microchip,ALPS,ROHM,Xilinx,Pulse,ON,Everlight and Freescale. Main products comprise IC,Modules,Potentiometer,IC Socket,Relay,Connector.Our parts cover such applications as commercial,industrial, and automotives areas.

We are looking forward to setting up business relationship with you and hope to provide you with the best service and solution. Let us make a better world for our industry!



## Contact us

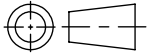
Tel: +86-755-8981 8866 Fax: +86-755-8427 6832

Email & Skype: info@chipsmall.com Web: www.chipsmall.com

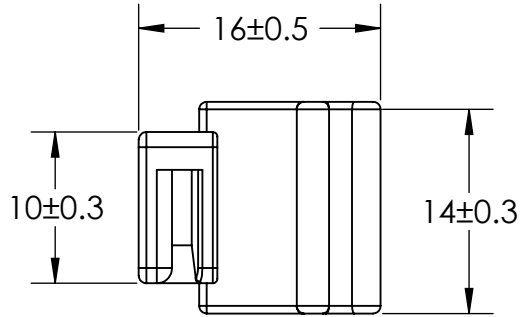
Address: A1208, Overseas Decoration Building, #122 Zhenhua RD., Futian, Shenzhen, China



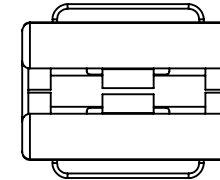
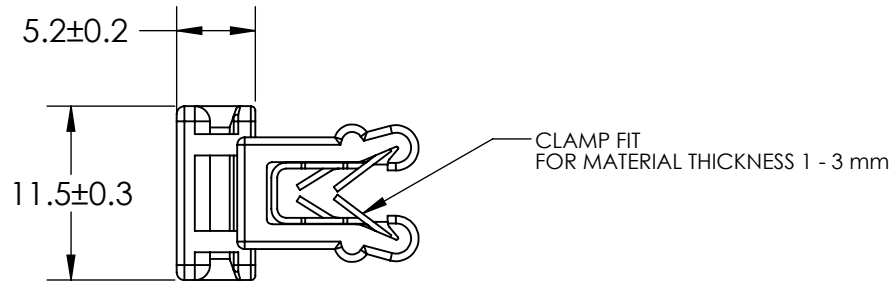
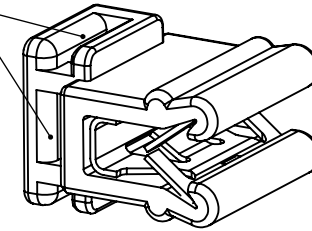
SW2009



Revision level		Revision Record	Changed	Date	Approved	Date
Drawing	Part					
01	-	SEE ECN# 012054	AAC	11/12/2010	AAC	03/20/2012



BI-DIRECTIONAL TIE ENTRY



01

Material  
PA66HIRHSUV

Units inches

Dimension without tolerances details to:

- .xxxx = ±.0005
- .xxx = ±.005
- .xx = ±.01
- .x = ±.03
- None = ±.06
- ∠ = ±0.5°

The copyright of this drawing is reserved by HellermannTyton. It is issued on condition that it is not reproduced, copied, or disclosed to a third party, either wholly or in part, without the consent of HellermannTyton.

Drawn	AAC	10/27/2010	Article/Type-No	EC4	Scale	2:1
Approved	AAC	11/12/2010	Title	EC4 EDGE CLIP	Project Number	PRP10-0831
<p><b>HellermannTyton</b></p> <p>North America Email: corp@htamericas.com Web: www.hellermann.tyton.com</p>			Drawing-No	Production : Phase	Format	AH
			<b>CL10-0831-002CST</b>		Sheet	1/1