



Chipsmall Limited consists of a professional team with an average of over 10 year of expertise in the distribution of electronic components. Based in Hongkong, we have already established firm and mutual-benefit business relationships with customers from,Europe,America and south Asia,supplying obsolete and hard-to-find components to meet their specific needs.

With the principle of “Quality Parts,Customers Priority,Honest Operation,and Considerate Service”,our business mainly focus on the distribution of electronic components. Line cards we deal with include Microchip,ALPS,ROHM,Xilinx,Pulse,ON,Everlight and Freescale. Main products comprise IC,Modules,Potentiometer,IC Socket,Relay,Connector.Our parts cover such applications as commercial,industrial, and automotives areas.

We are looking forward to setting up business relationship with you and hope to provide you with the best service and solution. Let us make a better world for our industry!



Contact us

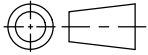
Tel: +86-755-8981 8866 Fax: +86-755-8427 6832

Email & Skype: info@chipsmall.com Web: www.chipsmall.com

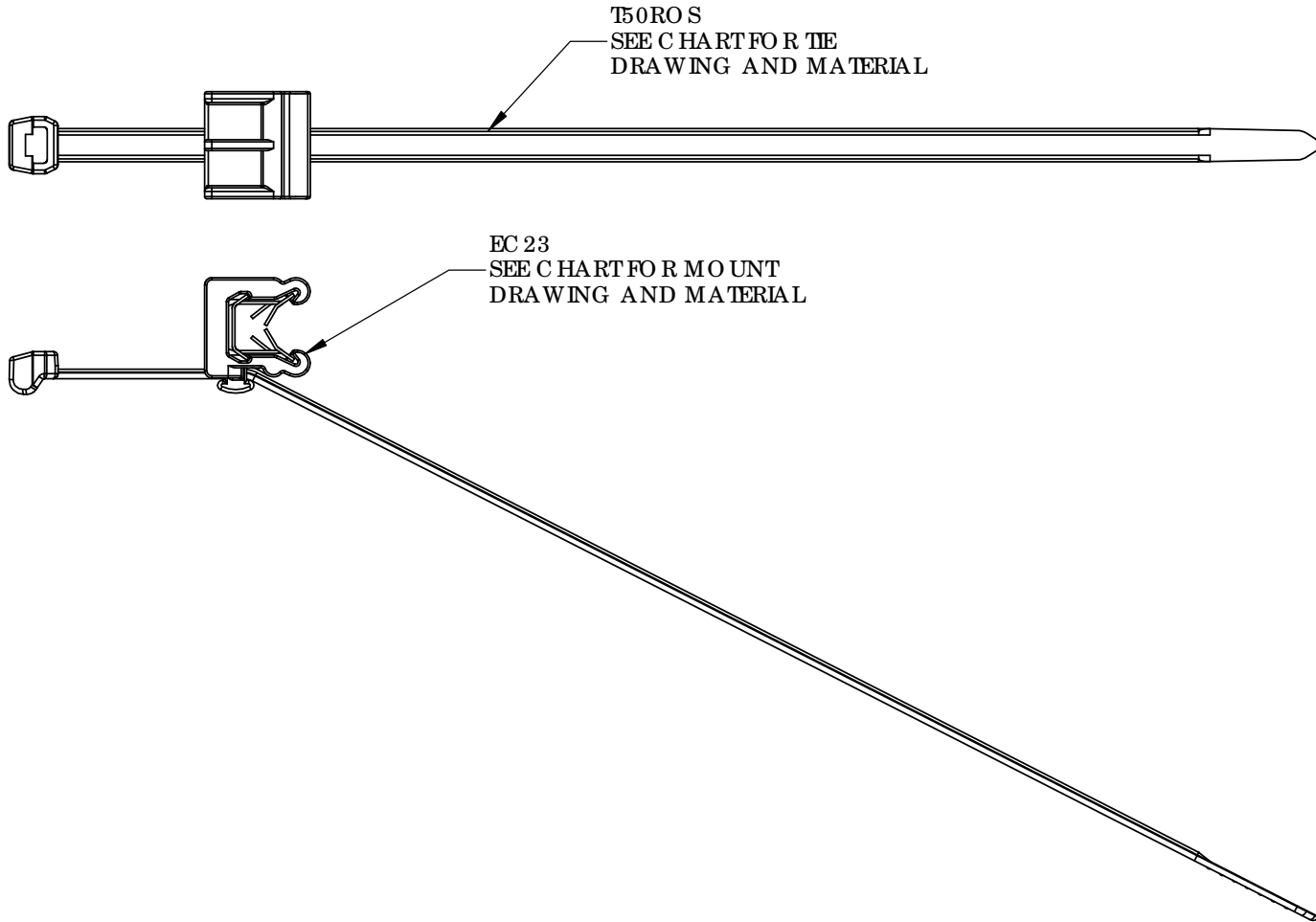
Address: A1208, Overseas Decoration Building, #122 Zhenhua RD., Futian, Shenzhen, China



SW2010



Revision level		Revision Record	Changed	Date	Approved	Date
Drawing	Part					
00	-	SEE ECN# 011829	AAC	05/19/2011	AAC	05/19/2011



Material SEE CHART	TYPE	BUNDLE RANGE	CABLE TIE		MO UNT		
			DRAWING	MATERIAL	DRAWING	MATERIAL	
	T50RO SEC 23	5 TO 50	CT10-0737-002C ST	PA66HS	XC L-HIG 157C ST	PA66	
Units millimeters Dimension without tolerances details to: .XXXX = ± .0025 .XXX = ± .013 .XX = ± .13 .X = ± .3 None = ± .8 < = ±0.5°	Drawn	AAC	05/11/2011	Article/Type-No T50ROSEC23		Scale 1:1	
	Approved	AAC	05/19/2011	Title T50ROS OUTSIDE SERRATED CABLE TIE WITH EC23 MOUNT		Project Number PRPNT827-04	
	HellermannTyton North America Email: corp@htamericas.com Web: www.hellermann.tyton.com			Drawing-No		Production : Phase	Format AH
				04-0827-003-CSU			Sheet 1/1

The copyright of this drawing is reserved by HellermannTyton. It is issued on condition that it is not reproduced, copied, or disclosed to a third party, either wholly or in part, without the consent of HellermannTyton.

Product Number
Cross Reference Record

Uncontrolled Document

Pre-UNS Number System	(New) UNS Universal Number System	Customer Part Number
Product Number T50ROSEC23	Product Number 156-00877	Product Number -
Reference Drawing Number: 04-0827-003-CSU		

Issued By:	(New) UNS Product Number	Issue Date:
HellermannTyton	Universal Numbering System	April 30, 2012