



Chipsmall Limited consists of a professional team with an average of over 10 year of expertise in the distribution of electronic components. Based in Hongkong, we have already established firm and mutual-benefit business relationships with customers from,Europe,America and south Asia,supplying obsolete and hard-to-find components to meet their specific needs.

With the principle of “Quality Parts,Customers Priority,Honest Operation,and Considerate Service”,our business mainly focus on the distribution of electronic components. Line cards we deal with include Microchip,ALPS,ROHM,Xilinx,Pulse,ON,Everlight and Freescale. Main products comprise IC,Modules,Potentiometer,IC Socket,Relay,Connector.Our parts cover such applications as commercial,industrial, and automotives areas.

We are looking forward to setting up business relationship with you and hope to provide you with the best service and solution. Let us make a better world for our industry!



Contact us

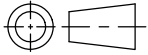
Tel: +86-755-8981 8866 Fax: +86-755-8427 6832

Email & Skype: info@chipsmall.com Web: www.chipsmall.com

Address: A1208, Overseas Decoration Building, #122 Zhenhua RD., Futian, Shenzhen, China

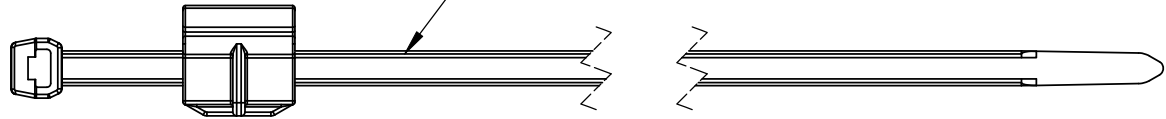


SW2010

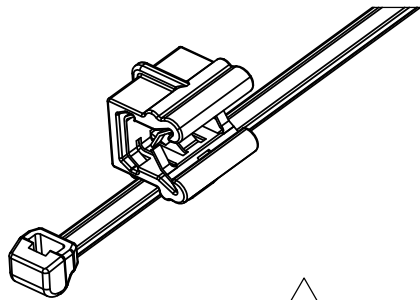


Revision level		Revision Record	Changed	Date	Approved	Date
Drawing	Part					
01	-	SEE ECN# 011893	AAC	07/13/2011	AAC	07/13/2011

T50ROS
SEE CHART FOR TIE
DRAWING AND MATERIAL

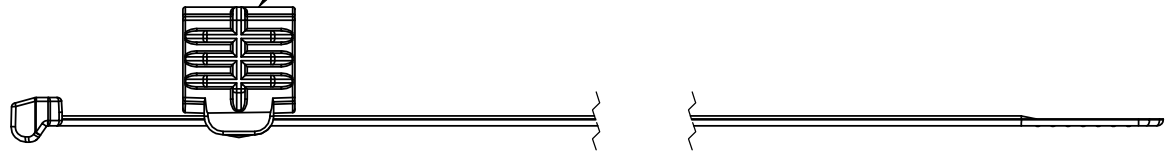


EC 24
SEE CHART FOR MOUNT
DRAWING AND MATERIAL



01

DELIVERY CONDITION:
CABLE TIE HEAD COULD BE AT THE LEFT
OR RIGHT SIDE OF EDGE CLIP



Material SEE CHART	TYPE	BUNDLE RANGE	CABLE TIE		MOUNT		
			DRAWING	MATERIAL	DRAWING	MATERIAL	
	T50RO SEC 24	5 TO 50	CT10-0737-002C ST	PA66HS	04-832-001-C SG	PA66HIRHS	
Units millimeters Dimension without tolerances details to: .XXXX = ±.0025 .XXX = ±.013 .XX = ±.13 .X = ±.3 None = ±.8 ∠ = ±0.5°	Drawn AAC 05/11/2011 Approved AAC 07/13/2011		Article/Type-No T50ROSEC24 Title T50ROS OUTSIDE SERRATED CABLE TIE WITH EC24 MOUNT			Scale 1:1 Project Number PRPNT832-04	
	The copyright of this drawing is reserved by HellermannTyton. It is issued on condition that it is not reproduced, copied, or disclosed to a third party, either wholly or in part, without the consent of HellermannTyton.		HellermannTyton North America Email: corp@htamericas.com Web: www.hellermann.tyton.com			Drawing-No 04-0832-003-CSU Production : Phase	Format AH Sheet 1/1
						04-0832-003-CSU	

Product Number
Cross Reference Record

Uncontrolled Document

Pre-UNS Number System	(New) UNS Universal Number System	Customer Part Number
Product Number T50ROSEC24	Product Number 156-00878	Product Number -
Reference Drawing Number: 04-0832-003-CSU		

Issued By:	(New) UNS Product Number	Issue Date:
HellermannTyton	Universal Numbering System	November 30, 2011