



Chipsmall Limited consists of a professional team with an average of over 10 year of expertise in the distribution of electronic components. Based in Hongkong, we have already established firm and mutual-benefit business relationships with customers from,Europe,America and south Asia,supplying obsolete and hard-to-find components to meet their specific needs.

With the principle of "Quality Parts,Customers Priority,Honest Operation,and Considerate Service",our business mainly focus on the distribution of electronic components. Line cards we deal with include Microchip,ALPS,ROHM,Xilinx,Pulse,ON,Everlight and Freescale. Main products comprise IC,Modules,Potentiometer,IC Socket,Relay,Connector.Our parts cover such applications as commercial,industrial, and automotives areas.

We are looking forward to setting up business relationship with you and hope to provide you with the best service and solution. Let us make a better world for our industry!



Contact us

Tel: +86-755-8981 8866 Fax: +86-755-8427 6832

Email & Skype: info@chipsmall.com Web: www.chipsmall.com

Address: A1208, Overseas Decoration Building, #122 Zhenhua RD., Futian, Shenzhen, China



4

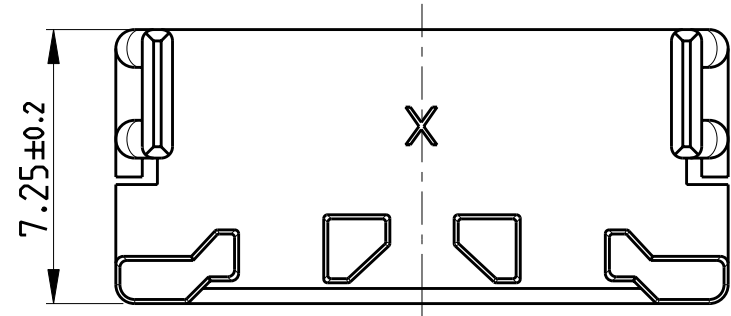
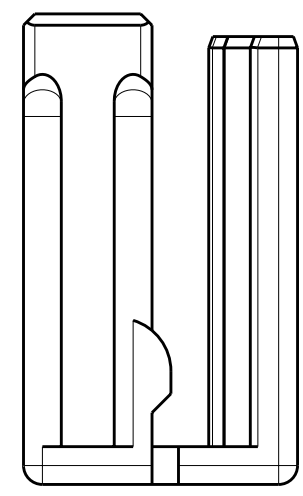
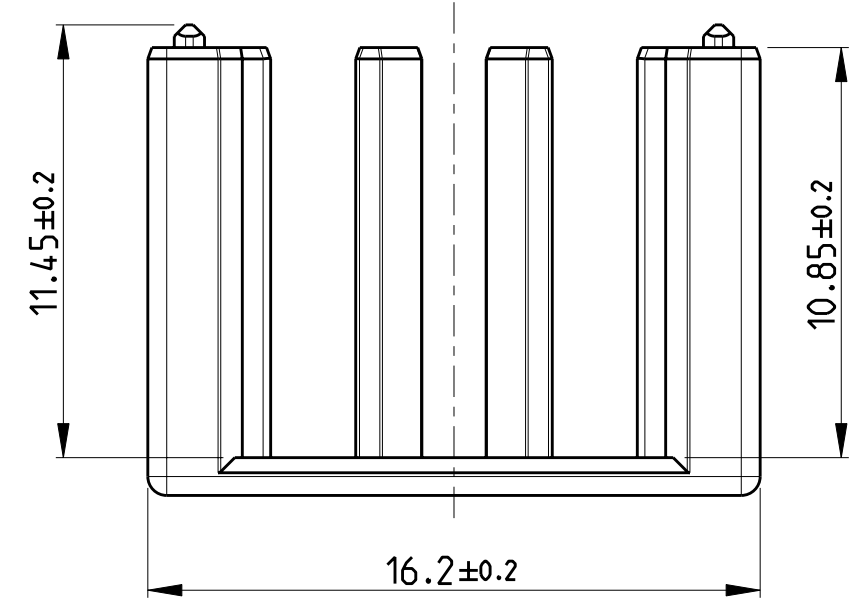
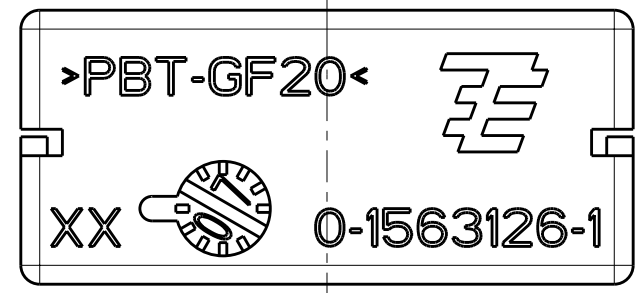
3

2

1

THIS DRAWING IS UNPUBLISHED. RELEASED FOR PUBLICATION 2008
 © COPYRIGHT 2008 BY TYCO ELECTRONICS CORPORATION. ALL RIGHTS RESERVED.

LOC	DIST	REVISIONS			
P	LTR	DESCRIPTION	DATE	DWN	APVD
A1	-	A	NEW DRAWING	30JAN2008	GP GM



NOTES:
Bemerkungen:

- 1 DELIVERY CONDITION: LOOSE PIECES
Anlieferungszustand: Teile lose beigelegt
- 2 MATED WITH TE-PN: 0-1563125-1
Verwendet mit TE-PN: 0-1563125-1
- 3 MATED WITH TE-PN: 0-2112416-1
Verwendet mit TE-PN: 0-2112416-1

<small>THIS DRAWING IS A CONTROLLED DOCUMENT FOR TYCO ELECTRONICS CORPORATION IT IS SUBJECT TO CHANGE AND THE CONTROLLING ENGINEERING ORGANIZATION SHOULD BE CONTACTED FOR THE LATEST REVISION.</small>		DWN G.PUCKEL 30JAN2008 CHK K.ROTH 30JAN2008 APVD G.MUMPER 30JAN2008	Tyco Electronics AMP GmbH 64625 Bensheim (Germany)
DIMENSIONS: mm	TOLERANCES UNLESS OTHERWISE SPECIFIED: 0 PLC ±0.30 1 PLC ±0.30 2 PLC ±0.30 3 PLC ± 4 PLC ± ANGLES ±2°	PRODUCT SPEC - APPLICATION SPEC - WEIGHT -	NAME SECONDARY LOCK FOR 10 POS. MIXED TAB HOUSING 8 x MCON1.2 AND 2 x MCP2.8
MATERIAL -	FINISH -	SIZE A3 CAGE CODE 00779 DRAWING NO C=1563126 RESTRICTED TO -	SCALE 5:1 SHEET 1 OF 1 REV A
CUSTOMER DRAWING			