



Chipsmall Limited consists of a professional team with an average of over 10 year of expertise in the distribution of electronic components. Based in Hongkong, we have already established firm and mutual-benefit business relationships with customers from,Europe,America and south Asia,supplying obsolete and hard-to-find components to meet their specific needs.

With the principle of "Quality Parts,Customers Priority,Honest Operation,and Considerate Service",our business mainly focus on the distribution of electronic components. Line cards we deal with include Microchip,ALPS,ROHM,Xilinx,Pulse,ON,Everlight and Freescale. Main products comprise IC,Modules,Potentiometer,IC Socket,Relay,Connector.Our parts cover such applications as commercial,industrial, and automotives areas.

We are looking forward to setting up business relationship with you and hope to provide you with the best service and solution. Let us make a better world for our industry!



Contact us

Tel: +86-755-8981 8866 Fax: +86-755-8427 6832

Email & Skype: info@chipsmall.com Web: www.chipsmall.com

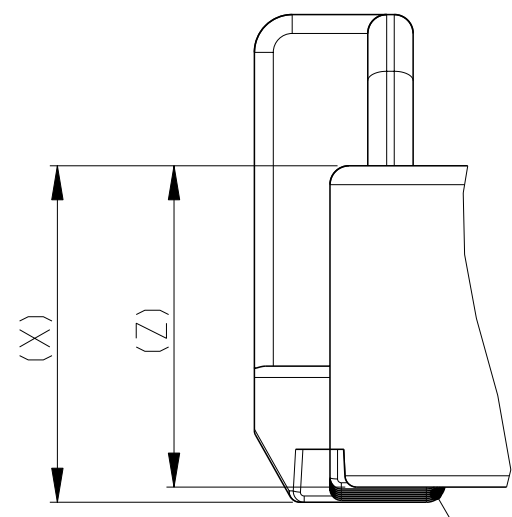
Address: A1208, Overseas Decoration Building, #122 Zhenhua RD., Futian, Shenzhen, China



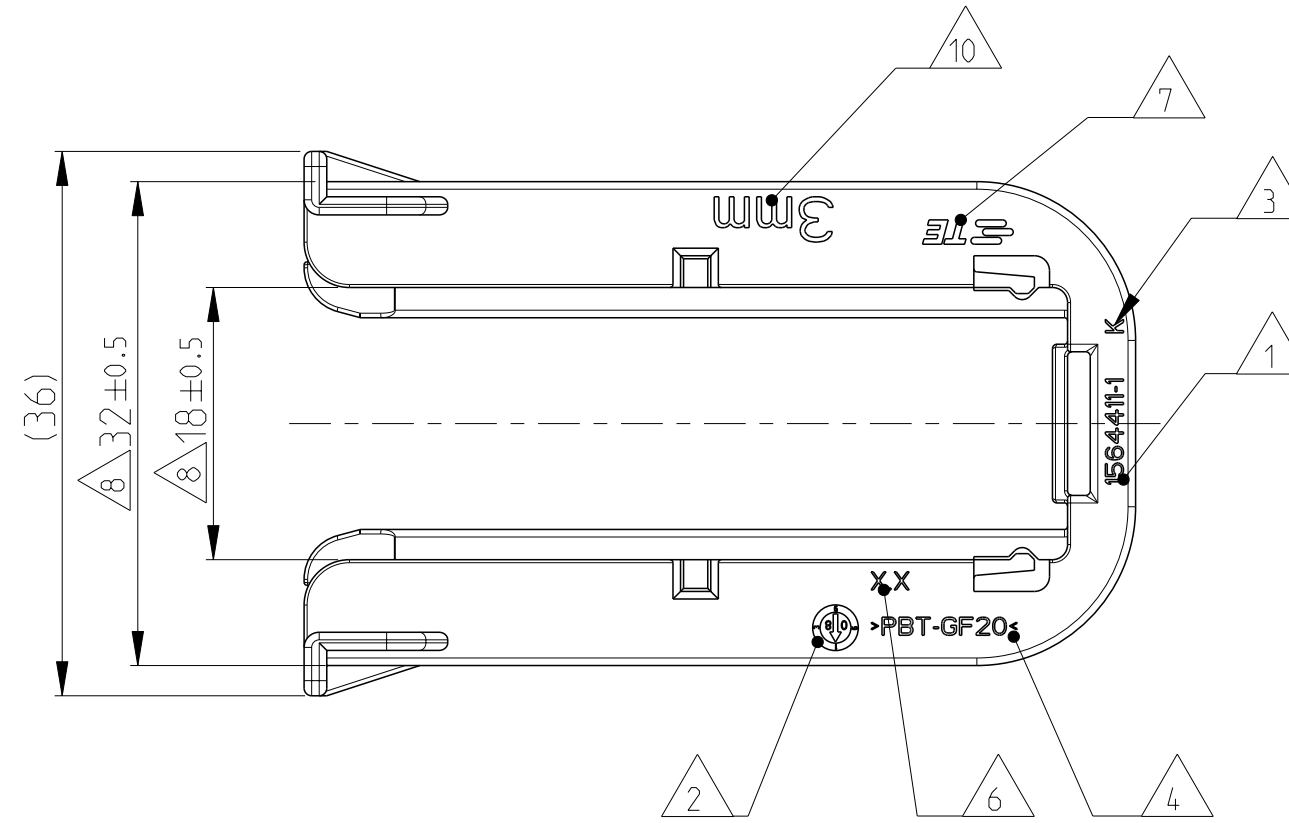
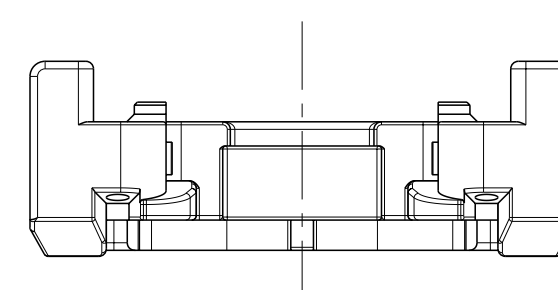
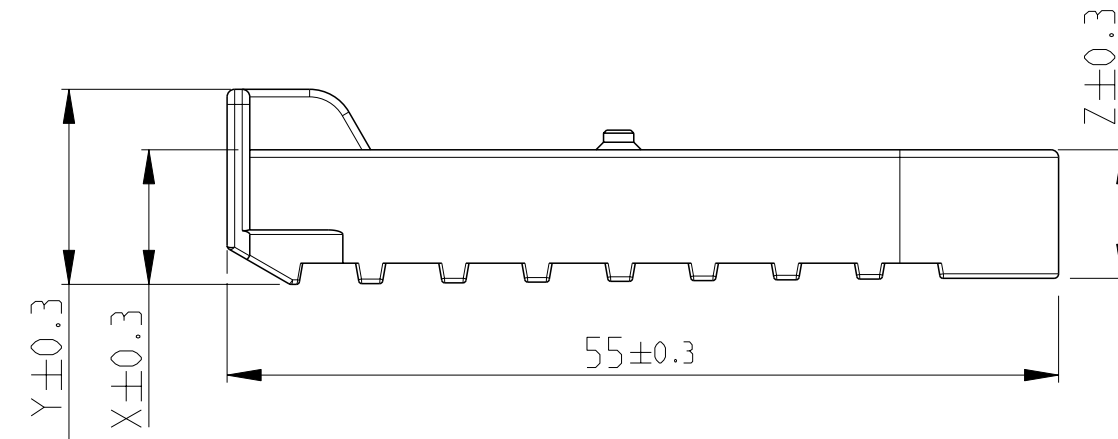
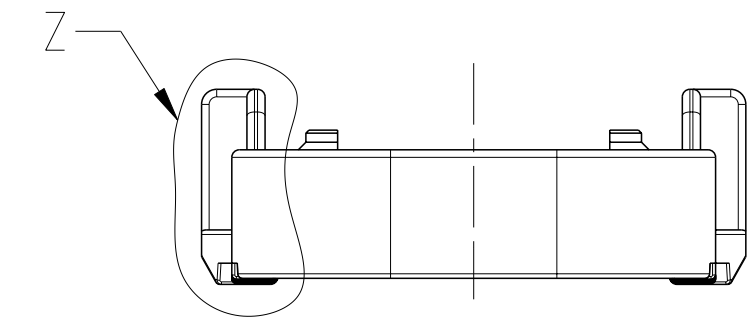
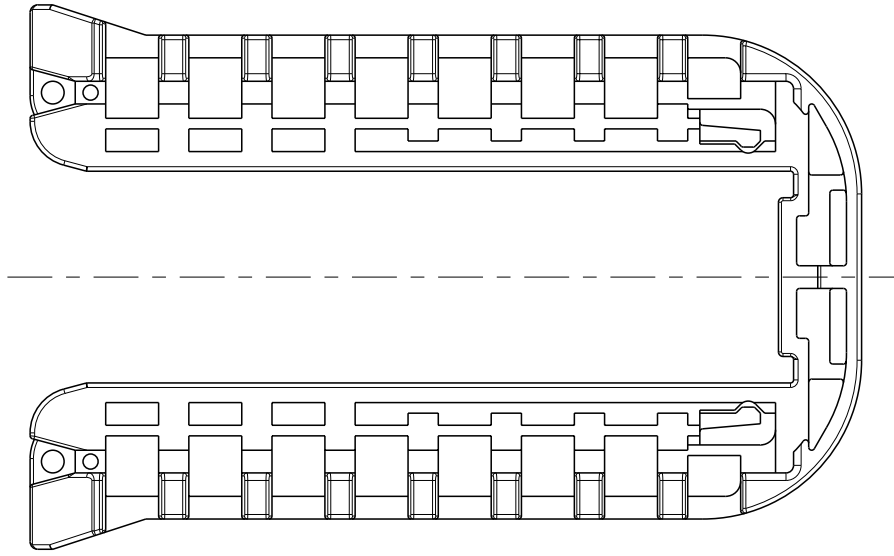
0-1564411-1 AS SHOWN
 0-1564411-1 wie gezeigt

REVISIONS ÄNDERUNGEN					
P	LTR	DESCRIPTION BESCHREIBUNG	DATE	DWN	APVD
J		PCN E-14-006509, E-14-008262, E-14-008366	02MAY2014	KP	JG
K		DETAILS SEE PCN E-15-008283	01JUN2015	Ho.	Gilch
K1		DETAILS SEE PCN E-15-012820	31AUG2015	MAH.	GILC
K2		DETAILS SEE PCN E-16-013669	26SEP2016	MAH.	GILC

Z
5:1

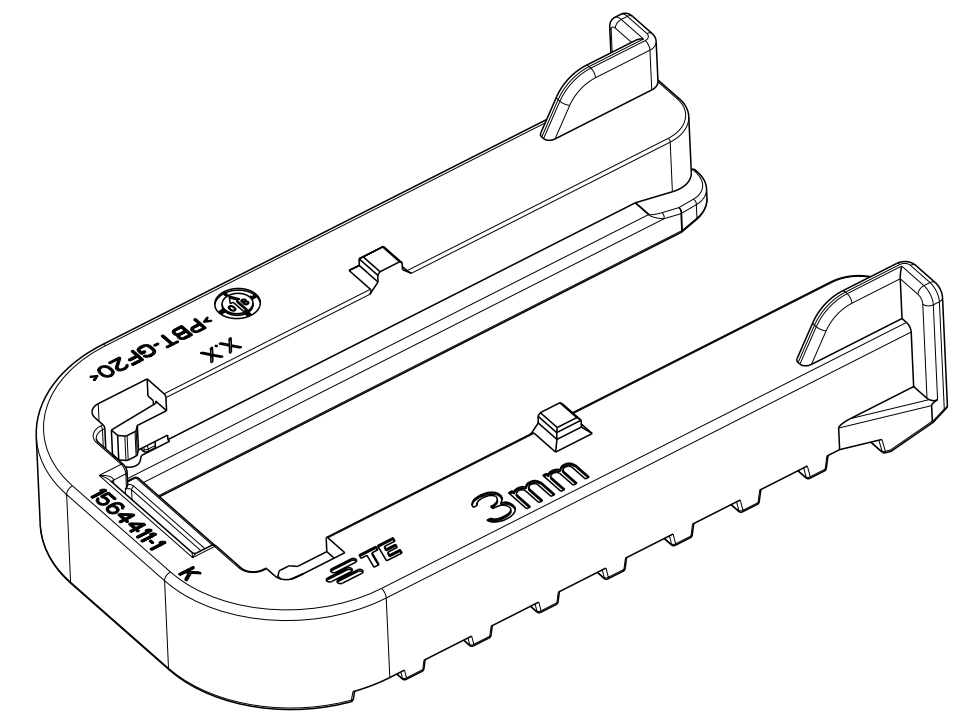


GEOMETRY GRADUALLY INCREASING FROM DIMENSION "Z" TO "X".
 Geometrie stufenweise ansteigend von Dimension "Z" nach "X".



NOTES
Bemerkungen

- 1 TE ORDER-NO.
TE Bestell-Nr.
- 2 PRODUCTION DATE
Produktionsdatum
- 3 LETTER-INSERT FOR THE REVISION STATUS OF THE MOULD
Schriftsatz fuer Aenderungszustand des Werkzeuges
- 4 MATERIAL MARKING ACCORDING TO VDA 260
Werkstoffkennzeichnung nach VDA 260
- 5 BULK PACKAGING IN CORRUGATED BOX
Schuetzmittel im Versandkarton
- 6 MOULD CAVITY MARKING
Nestmarkierung
- 7 TE LOGO
TE Logo
- 8 WARPAGE PERMITTED UP TO -1.5mm FROM NOMINAL SIZE
Verzug zulaessig bis -1.5mm vom Nennmass
- 9 SUITABLE FOR TAB HOUSING WITH FLANGE GROUP E
SEE PRODUCT GROUP DRAWING 1563709
Passend zu Flachsteckergehaeusen mit Flansch der Gruppe E
siehe Produktgruppenzeichnung 1563709
- 10 MARKING FOR SUITABLE SHEET METAL THICKNESS (NOMINAL SIZE)
Kennzeichnung fuer passende Blechstaeke (Nennmass)



REV.	SHEET METAL THICKNESS Blechdicke	DIM X	DIM Y	DIM Z	MATERIAL	COLOUR Farbe	WEIGHT (g)	DESCRIPTION Beschreibung	ITEM		
K2	0-1564411-7	K	2.0±0.1mm	9.9	13.9	9.5	PBT-GF20/V-0	VIOLET violett	7.7	Slide, FOR 2.0mm SHEET METAL Schieber, fuer Blech 2.0mm Dicke	7
	0-1564411-6	K	3.5±0.1mm	8.4	12.4	8.0	PBT-GF20/V-0	GREY grau	7.1	Slide, FOR 3.5mm SHEET METAL Schieber, fuer Blech 3.5mm Dicke	6
	0-1564411-5	K	1.5±0.1mm	10.4	14.4	10.0	PBT-GF20/V-0	GREY grau	7.9	Slide, FOR 1.5mm SHEET METAL Schieber, fuer Blech 1.5mm Dicke	5
	-	-	1.0±0.1mm	-	-	-	PBT-GF20/V-0	-	-	Slide, FOR 1.0mm SHEET METAL Schieber, fuer Blech 1.0mm Dicke	4
	-	-	4.0±0.1mm	-	-	-	PBT-GF20/V-0	-	-	Slide, FOR 4.0mm SHEET METAL Schieber, fuer Blech 4.0mm Dicke	3
	0-1564411-2	K	2.5±0.1mm	9.4	13.4	9.0	PBT-GF20/V-0	RED rot	7.5	Slide, FOR 2.5mm SHEET METAL Schieber, fuer Blech 2.5mm Dicke	2
	0-1564411-1	K	3.0±0.1mm	8.9	12.9	8.5	PBT-GF20/V-0	YELLOW gelb	7.3	Slide, FOR 3.0mm SHEET METAL Schieber, fuer Blech 3.0mm Dicke	1

THIS DRAWING IS A CONTROLLED DOCUMENT.
 DIESES ZEICHNUNGSDOKUMENT WIRD DURCH AHP INKORPORIERT KONTROLLIERT.
 ÄNDERUNGEN, DIE DEM TECHNISCHEN FORTSCHRITT GLEICHEN, SIND VORBEHALTEN.
 DEN JEWEILS LETZTGÜLTIGEN ÄNDERUNGSSTAND ERFAHREN SIE AUF ANFRAGE.

DIMENSIONS:
MASSE IN HEIßEN:
(MM)

TOLERANCES UNLESS OTHERWISE SPECIFIED:
ALLGEMEINTEOLERANZEN
ACC. TO DIN 16901-140

1 PLC ±
2 PLC ±
3 PLC ±
4 PLC ±

ISO 8015

ANGLES/WINKEL
FINISH/OBERFLÄCHE/FARBE
#2°

MATERIAL
SEE TABLE

SEE TABLE

DWN	S. Jaeger	10FEB2009		TE Connectivity
CHK	E. Eltrop	10FEB2009		
APVD	C. Eberwein	11FEB2009		
NAME	SLIDE, TAB HOUSING Schieber, Flachsteckergehaeuse HDSCS - GROUP E			
PRODUCT SPEC	108-94020		SIZE	A2
APPLICATION SPEC	114-18756		CAGE CODE	00779
WEIGHT	SEE TABLE		DRAWING NO	C=1564411
CUSTOMER DRAWING	/KUNDENZEICHNUNG		SCALE	2:1
			SHEET	1 OF 1
			REV	K2