



Chipsmall Limited consists of a professional team with an average of over 10 year of expertise in the distribution of electronic components. Based in Hongkong, we have already established firm and mutual-benefit business relationships with customers from,Europe,America and south Asia,supplying obsolete and hard-to-find components to meet their specific needs.

With the principle of “Quality Parts,Customers Priority,Honest Operation,and Considerate Service”,our business mainly focus on the distribution of electronic components. Line cards we deal with include Microchip,ALPS,ROHM,Xilinx,Pulse,ON,Everlight and Freescale. Main products comprise IC,Modules,Potentiometer,IC Socket,Relay,Connector.Our parts cover such applications as commercial,industrial, and automotives areas.

We are looking forward to setting up business relationship with you and hope to provide you with the best service and solution. Let us make a better world for our industry!



Contact us

Tel: +86-755-8981 8866 Fax: +86-755-8427 6832

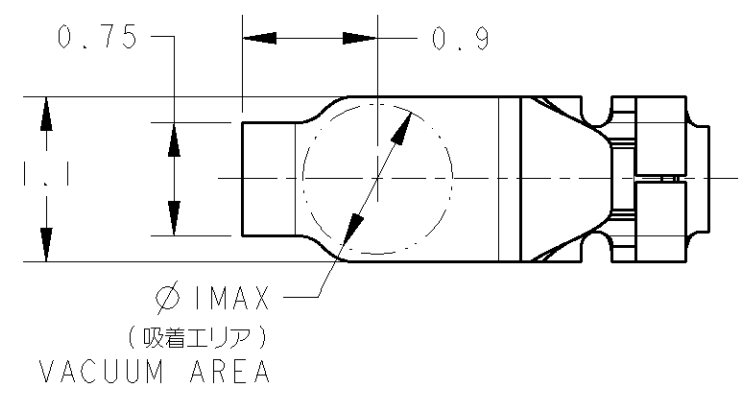
Email & Skype: info@chipsmall.com Web: www.chipsmall.com

Address: A1208, Overseas Decoration Building, #122 Zhenhua RD., Futian, Shenzhen, China

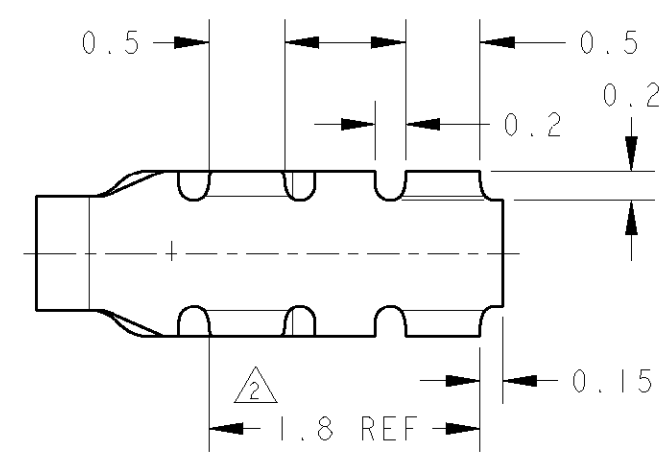
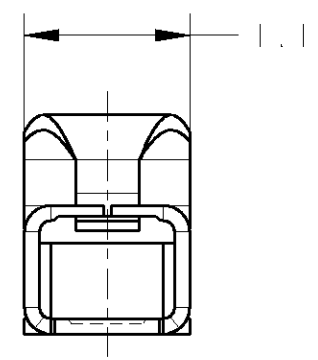
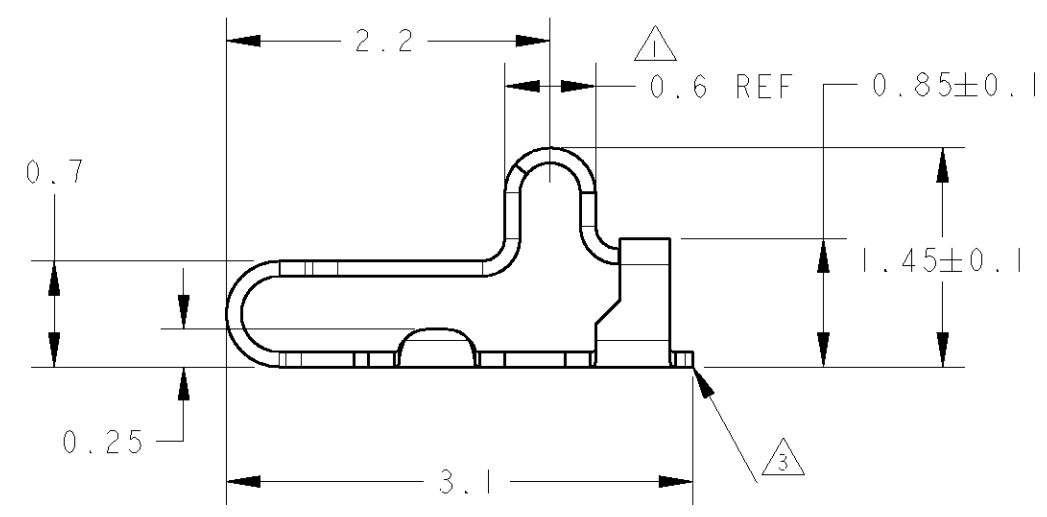


THIS DRAWING IS UNPUBLISHED. RELEASED FOR PUBLICATION 20
 © COPYRIGHT 20 BY TYCO ELECTRONICS CORPORATION. ALL RIGHTS RESERVED.

LOC	DIST	REVISIONS					
		P	LTR	DESCRIPTION	DATE	DWN	APVD
J	-	0		RELEASED EC: FJ00-1501-01	23AUG2001	KT	KK
		A		REVISED FJ00-0543-02	11MAR2002	KT	KK

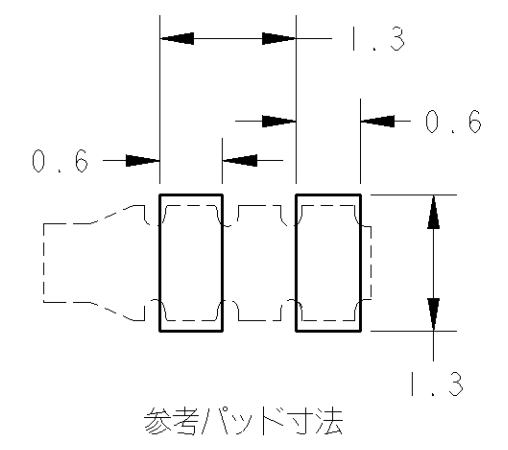


-1: 本図
 -1: AS SHOWN



メッキ仕様 (材料メッキ)
 Ni UNDER PLATING: 0.8μm MIN
 ① CONTACT POINT; Au 0.25~0.50μm
 ② SOLDERING AREA; Au 0.05μm MIN
 ③ カットバリ: 0.05MAX,
 その他全周バリ: 0.03MAX

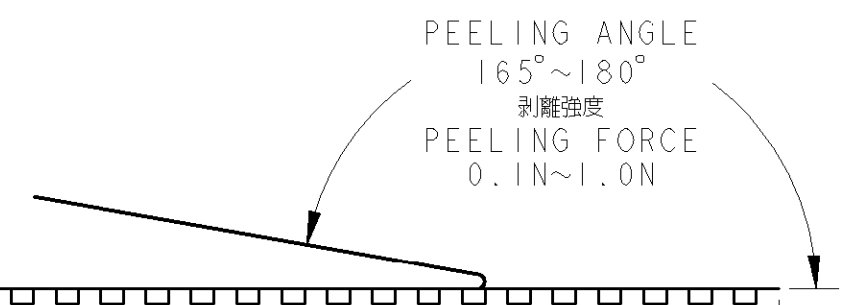
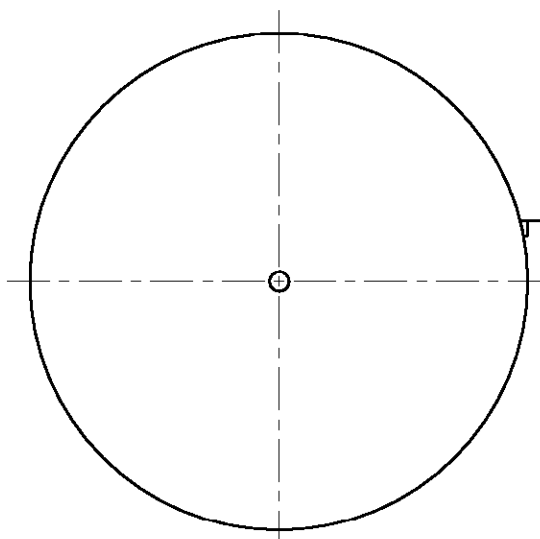
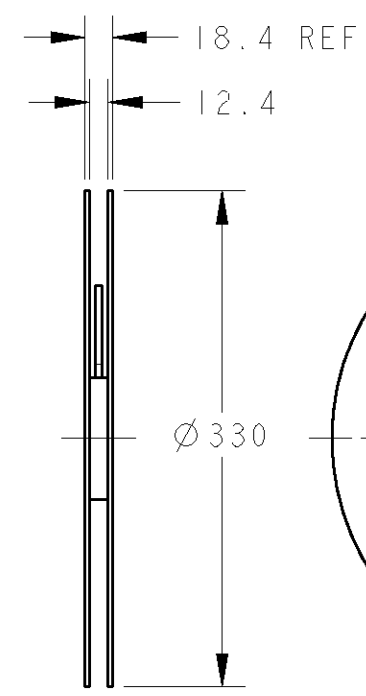
FINISH (PLATED MATERIAL)
 Ni UNDER PLATING: 0.8μm MIN
 ① CONTACT POINT; Au 0.25~0.50μm
 ② SOLDERING AREA; Au 0.05μm MIN
 ③ CUTTING BURR: 0.05MAX,
 CIRCUMFERENCE BURRS: 0.03MAX



THIS DRAWING IS A CONTROLLED DOCUMENT FOR TYCO ELECTRONICS CORPORATION. IT IS SUBJECT TO CHANGE AND THE CONTROLLING ENGINEERING ORGANIZATION SHOULD BE CONTACTED FOR THE LATEST REVISION.		DWN K. TANAKA 29JUL2001	Tyco Electronics AMP K.K. Kawasaki, Japan	
DIMENSIONS: mm		CHK K. KODAIRA 23AUG2001		
TOLERANCES UNLESS OTHERWISE SPECIFIED:		APVD K. KODAIRA 23AUG2001	NAME SHIELD FINGER 1511	
0 PLC ±0.2 1 PLC ±0.2 2 PLC ±0.2 3 PLC ±0.2 4 PLC ±0.2 ANGLES ±2		PRODUCT SPEC 108-5785	RESTRICTED TO	
MATERIAL -		APPLICATION SPEC -	SIZE A3	CAGE CODE 00779
FINISH SEE NOTE		WEIGHT -	DRAWING NO C=1565158	
		CUSTOMER DRAWING	SCALE 20:1	SHEET 1 OF 2
				REV A

THIS DRAWING IS UNPUBLISHED. RELEASED FOR PUBLICATION 20
 © COPYRIGHT 20 BY TYCO ELECTRONICS CORPORATION. ALL RIGHTS RESERVED.

LOC	DIST	REVISIONS			
P	LTR	DESCRIPTION	DATE	DWN	APVD
J	-	SEE SHEET 1	-	-	-

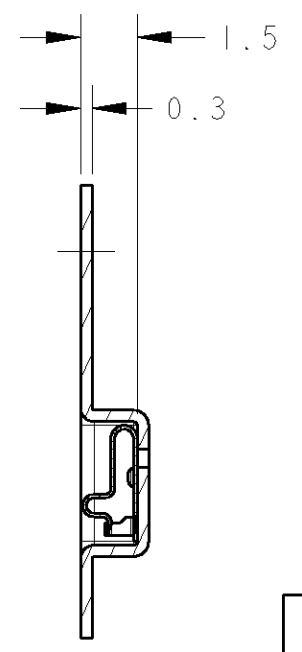
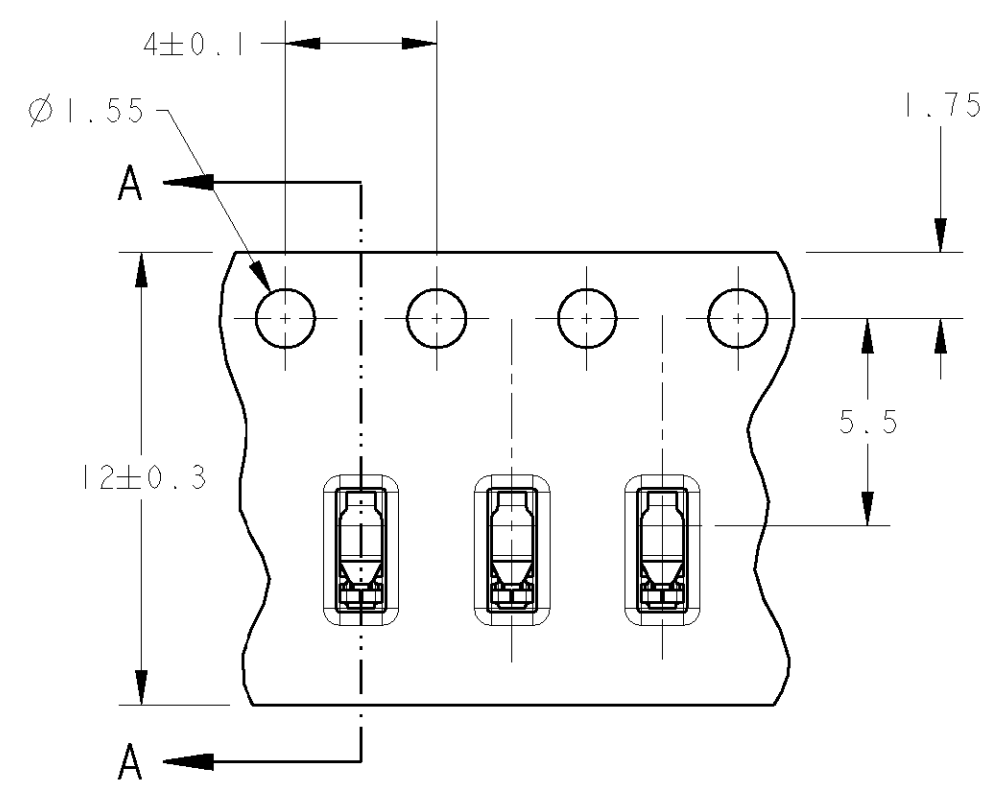


製品装填部
WITH PRODUCT CHARGE
5,000EA/REEL

トレーラ部
160mmMIN
WITHOUT CHARGE

300MIN
リーダ部 COVER TAPE
キャリアテープ空部: 100mm以上
WITHOUT CHARGE

→ DIRECTION OFF TOP OF REEL



断面 A-A

THIS DRAWING IS A CONTROLLED DOCUMENT FOR TYCO ELECTRONICS CORPORATION
 IT IS SUBJECT TO CHANGE AND THE CONTROLLING ENGINEERING ORGANIZATION
 SHOULD BE CONTACTED FOR THE LATEST REVISION.

DIMENSIONS: mm		TOLERANCES UNLESS OTHERWISE SPECIFIED:	
	0 PLC ±0.2	1 PLC ±0.2	2 PLC ±0.2
	3 PLC ±0.2	4 PLC ±0.2	ANGLES ±2
MATERIAL	FINISH		

DWN	SEE SHEET 1
CHK	
APVD	
PRODUCT SPEC	-
APPLICATION SPEC	-
WEIGHT	-
CUSTOMER DRAWING	

tyco Electronics		Tyco Electronics AMP K.K. Kawasaki, Japan	
NAME SHIELD FINGER 1511			
SIZE	CAGE CODE	DRAWING NO	RESTRICTED TO
A3	00779	C-1565158	-
SCALE 20:1		SHEET 2 OF 2	REV A