

Chipsmall Limited consists of a professional team with an average of over 10 year of expertise in the distribution of electronic components. Based in Hongkong, we have already established firm and mutual-benefit business relationships with customers from,Europe,America and south Asia,supplying obsolete and hard-to-find components to meet their specific needs.

With the principle of “Quality Parts,Customers Priority,Honest Operation,and Considerate Service”,our business mainly focus on the distribution of electronic components. Line cards we deal with include Microchip,ALPS,ROHM,Xilinx,Pulse,ON,Everlight and Freescale. Main products comprise IC,Modules,Potentiometer,IC Socket,Relay,Connector.Our parts cover such applications as commercial,industrial, and automotives areas.

We are looking forward to setting up business relationship with you and hope to provide you with the best service and solution. Let us make a better world for our industry!



Contact us

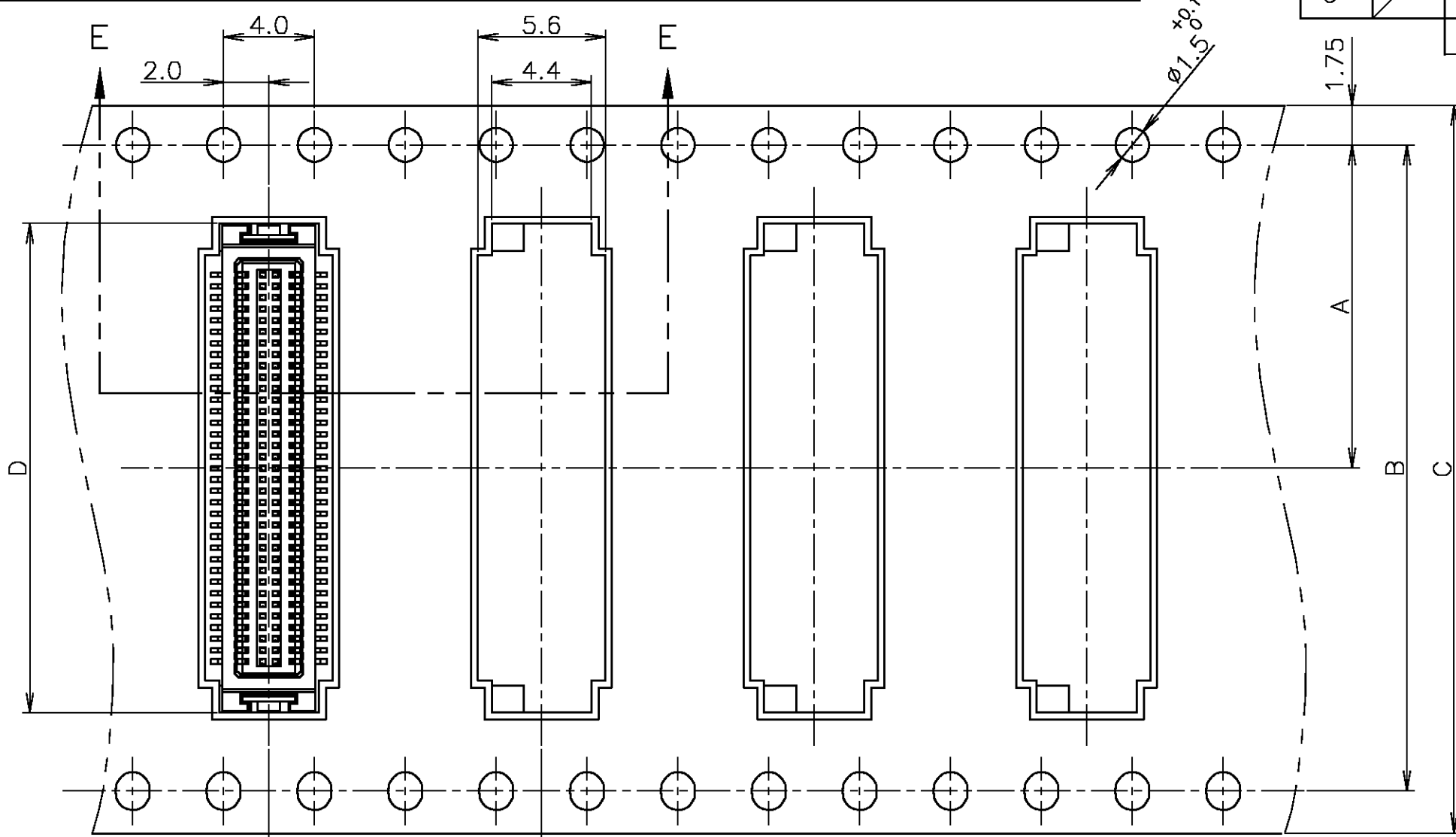
Tel: +86-755-8981 8866 Fax: +86-755-8427 6832

Email & Skype: info@chipsmall.com Web: www.chipsmall.com

Address: A1208, Overseas Decoration Building, #122 Zhenhua RD., Futian, Shenzhen, China

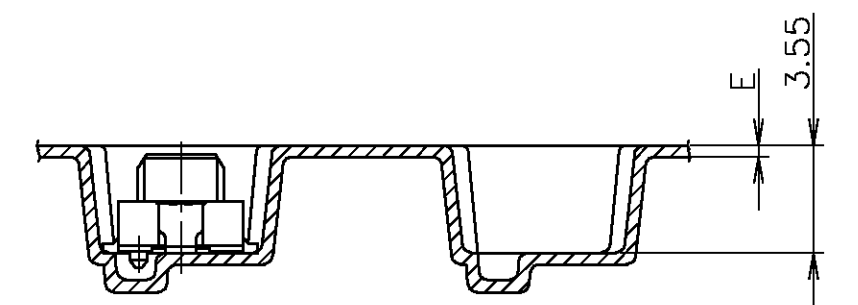
THIS DRAWING IS UNPUBLISHED. RELEASED FOR PUBLICATION APR, 2004.
 © COPYRIGHT 2004 BY TYCO ELECTRONICS CORPORATION. ALL RIGHTS RESERVED.

LOC	DIST	REVISIONS					
U		P	LTR	DESCRIPTION	DATE	DWN	APVD
		A	REVISED	FJB0-0396-04	23APR04	Y.N	H.M



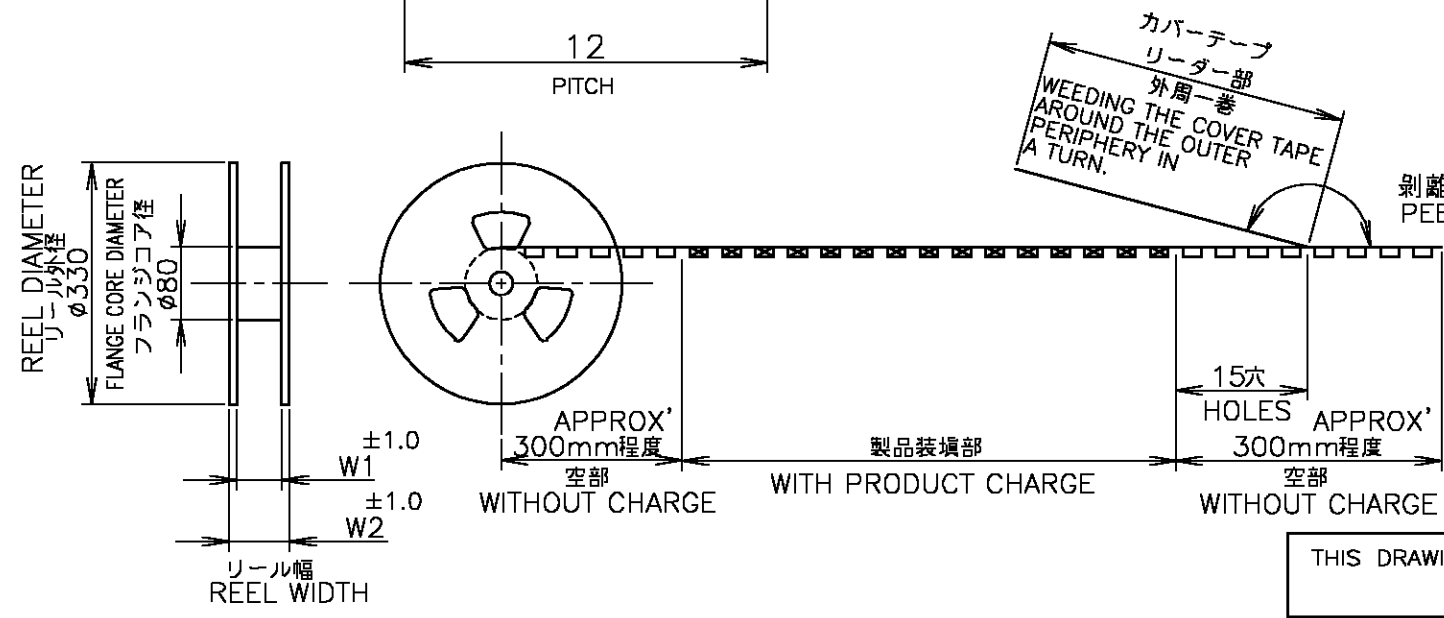
テープ幅
TAPE WIDTH

引出し方向
TOP OF REEL →



E-E

鉛フリー
LEAD FREE



THIS DRAWING IS A CONTROLLED DOCUMENT.

DIMENSIONS: 単位: 筈 MM	TOLERANCES UNLESS OTHERWISE SPECIFIED: 一般公差
	0 PLC ± 0.3
	1 PLC ± 0.3
	2 PLC ± 0.3
	3 PLC ± 0.3
	4 PLC ± 0.3
	ANGLES ± 3'
MATERIAL 材料	FINISH 仕上

INSTRUCTION SHEET 取扱説明書 411-5808	WIRE RANGE 抱合電線断面積	INSULATION DIA 被覆外径
DWN Y.NAKAZAWA 23APR04	Tyco Electronics AMP K.K. Kawasaki, Japan	
CHK T.KUSUHARA 23APR04	ON TAPING (EMBOSS) 0.5mm PITCH FINE MATE CONN. RECEPTACLE ASSEMBLY	
APVD H.MURAMATSU 23APR04	NAME 名称	RESTRICTED TO
PRODUCT SPEC 製品規格 108-5496	SIZE A3	CAGE CODE 00779
APPLICATION SPEC 取付適用規格	DRAWING NO 番号 C-1565357	SCALE 尺度 4:1
WEIGHT	SHEET 1 OF 2	REV A
CUSTOMER DRAWING		

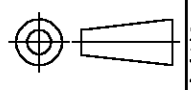
THIS DRAWING IS UNPUBLISHED. RELEASED FOR PUBLICATION APR, 2004.
 © COPYRIGHT 2004 BY TYCO ELECTRONICS CORPORATION. ALL RIGHTS RESERVED.

LOC	DIST	REVISIONS					
J		P	LTR	DESCRIPTION	DATE	DWN	APVD
				SEE SHEET 1			

WITH BOSS	37.5	33.5	0.4	19.1	32	28.4	14.2	1000	60	5-1565358-5	5-1565357-5
	50.5	45.5	0.4	24	44	40.4	20.2	1000	80	5-1565358-3	5-1565357-3
WITHOUT BOSS	20.2	17.5	0.4	9.1	16	+-	7.5	1000	20	1565358-9	1565357-9
	29.5	25.5	0.38	16.6	24	+-	11.5	1000	50	1565358-6	1565357-6
	37.5	33.5	0.38	19.1	32	28.4	14.2	1000	60	1565358-5	1565357-5
	37.5	33.5	0.4	21.9	32	28.4	14.2	1000	70	1565358-4	1565357-4
	50.5	45.5	0.4	24	44	40.4	20.2	1000	80	1565358-3	1565357-3
	49.5	45.5	0.38	29.1	44	40.4	20.2	1000	100	1565358-1	1565357-1
BOSS	W2	W1	E	D	C	B	A	QTY/REEL	POS	CONNECTOR P/N	TAPING P/N

鉛フリー
LEAD FREE

THIS DRAWING IS A CONTROLLED DOCUMENT.

DIMENSIONS: 単位: 純 MM	TOLERANCES UNLESS OTHERWISE SPECIFIED: 一般公差
	0 PLC ± 0.3 1 PLC ± 0.3 2 PLC ± 0.3 3 PLC ± 0.3 4 PLC ± 0.3 ANGLES ± 3'
MATERIAL 材料	FINISH 仕上

INSTRUCTION SHEET 取扱説明書 411-5808	WIRE RANGE 抱合電線断面積	INSULATION DIA 被覆外径
DWN	 Tyco Electronics AMP K.K. Kawasaki, Japan	
CHK	NAME 名称 ON TAPING (EMBOSS) 0.5mm PITCH FINE MATE CONN. RECEPTACLE ASSEMBLY	
APVD	PRODUCT SPEC 製品規格 108-5496	APPLICATION SPEC 取付適用規格
WEIGHT	SIZE A3	CAGE CODE 00779
CUSTOMER DRAWING	DRAWING NO 番号 C-1565357	RESTRICTED TO
	SCALE 尺度 4:1	SHEET 2 OF 2
		REV A