



Chipsmall Limited consists of a professional team with an average of over 10 year of expertise in the distribution of electronic components. Based in Hongkong, we have already established firm and mutual-benefit business relationships with customers from,Europe,America and south Asia,supplying obsolete and hard-to-find components to meet their specific needs.

With the principle of "Quality Parts,Customers Priority,Honest Operation,and Considerate Service",our business mainly focus on the distribution of electronic components. Line cards we deal with include Microchip,ALPS,ROHM,Xilinx,Pulse,ON,Everlight and Freescale. Main products comprise IC,Modules,Potentiometer,IC Socket,Relay,Connector.Our parts cover such applications as commercial,industrial, and automotives areas.

We are looking forward to setting up business relationship with you and hope to provide you with the best service and solution. Let us make a better world for our industry!



Contact us

Tel: +86-755-8981 8866 Fax: +86-755-8427 6832

Email & Skype: info@chipsmall.com Web: www.chipsmall.com

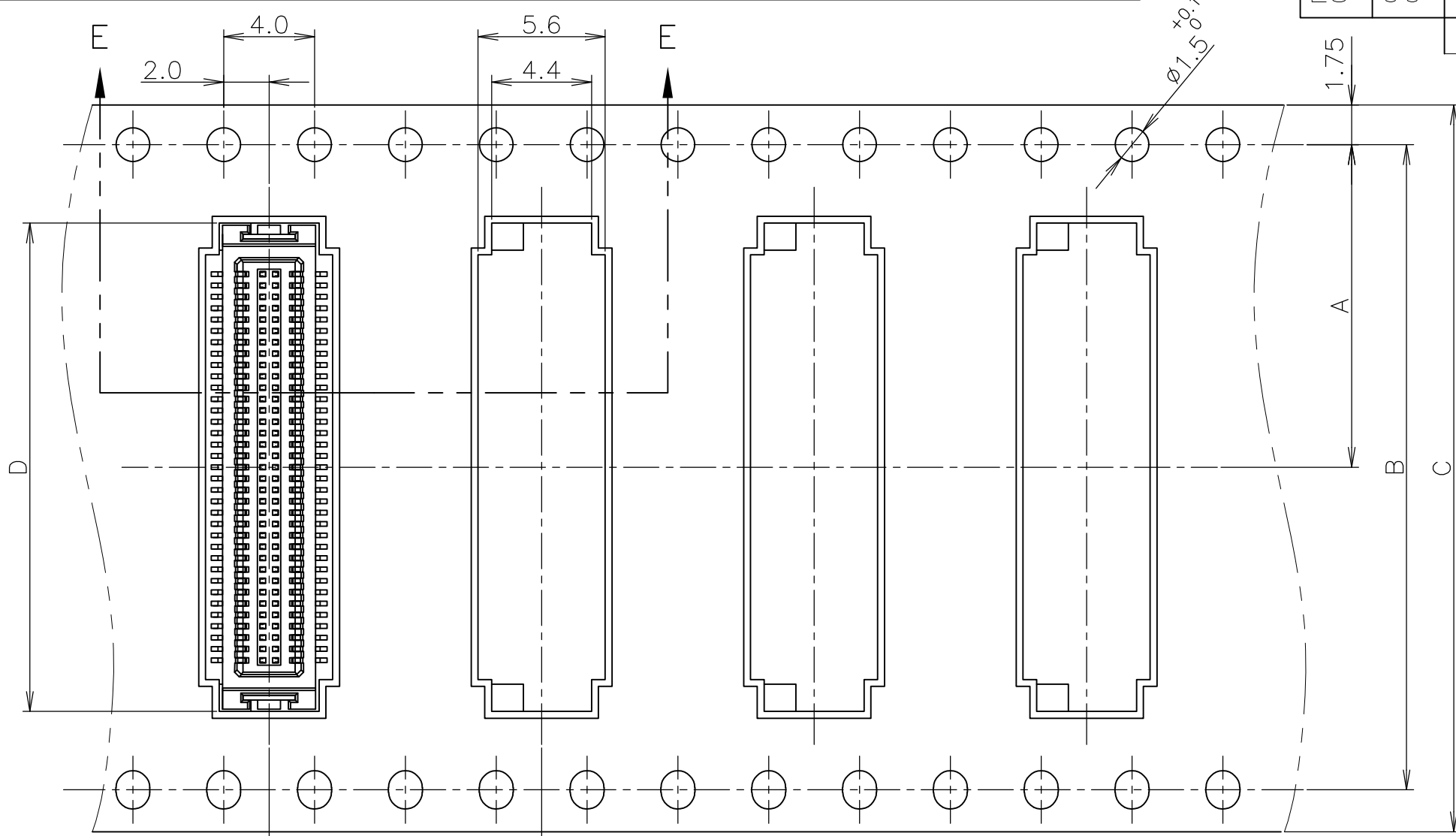
Address: A1208, Overseas Decoration Building, #122 Zhenhua RD., Futian, Shenzhen, China



THIS DRAWING IS UNPUBLISHED. RELEASED FOR PUBLICATION APR., 2004.
 © COPYRIGHT 2004 By -- ALL RIGHTS RESERVED.

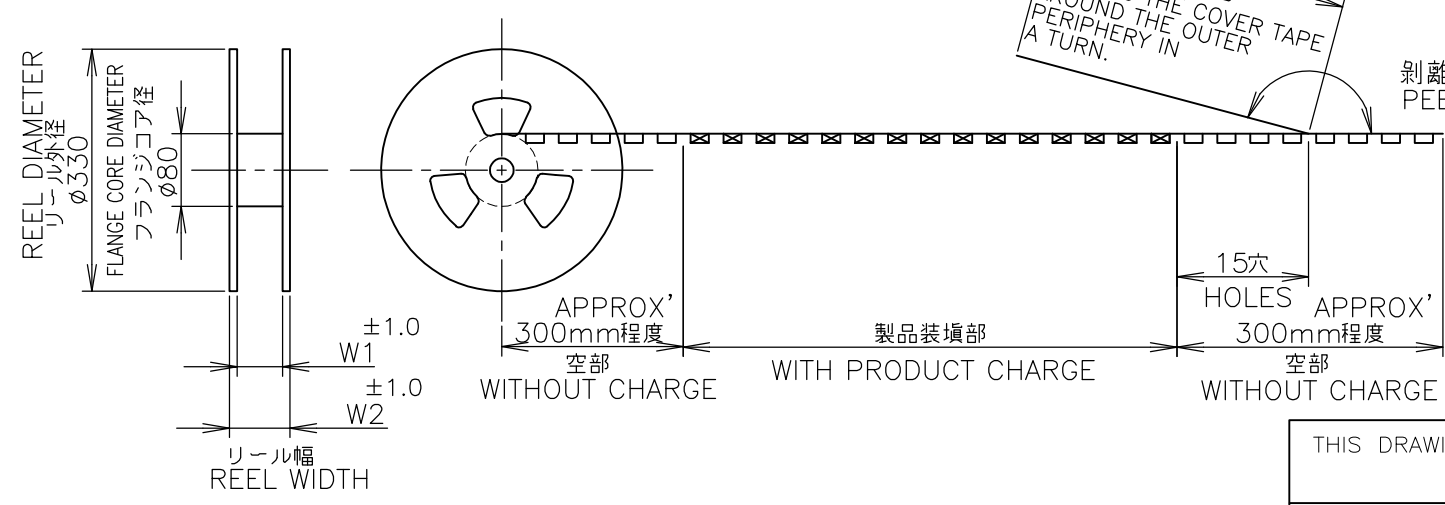
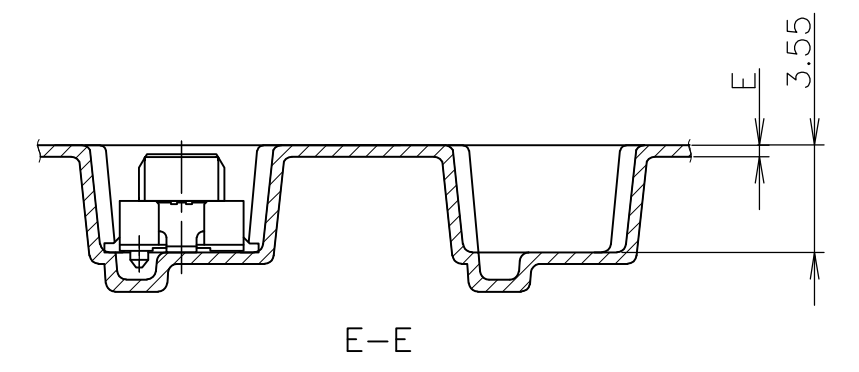
LOC ES DIST 00

REVISIONS				DATE	DWN	APVD
P	LTR	DESCRIPTION				
B		REVISED PER ECR-14-013112	30JAN2015	I.T	W.H	



テープ幅
TAPE WIDTH


引出し方向
TOP OF REEL →



FOR P/N *-1,-3,-4,-5,-6,-9,
5-*-3,5-*-5

THIS DRAWING IS A CONTROLLED DOCUMENT.

DIMENSIONS: 単位: 耗 MM	TOLERANCES UNLESS OTHERWISE SPECIFIED: 一般公差
0 PLC	± 0.3
1 PLC	± 0.3
2 PLC	± 0.3
3 PLC	± 0.3
4 PLC	± 0.3
ANGLES	± 3'
MATERIAL 材料	FINISH 仕上

INSTRUCTION SHEET 取扱説明書 411-5808	WIRE RANGE 抱合電線断面積	INSULATION DIA 被覆外径
DWN Y.NAKAZAWA 23APR04	 TE Connectivity	
CHK T.KUSUHARA 23APR04		
APVD H.MURAMATSU 23APR04	NAME 名称	
PRODUCT SPEC 製品規格 108-5496	ON TAPING (EMBOSS) 0.5mm PITCH FINE MATE CONN. RECEPTACLE ASSEMBLY	
APPLICATION SPEC 取付適用規格	SIZE A3	CAGE CODE 00779
WEIGHT	DRAWING NO 番号 C-1565357	RESTRICTED TO
CUSTOMER DRAWING	SCALE 尺度 4:1	SHEET 1 OF 3
		REV B

THIS DRAWING IS UNPUBLISHED.

RELEASED FOR PUBLICATION

APR ,2004.

© COPYRIGHT 2004 By -

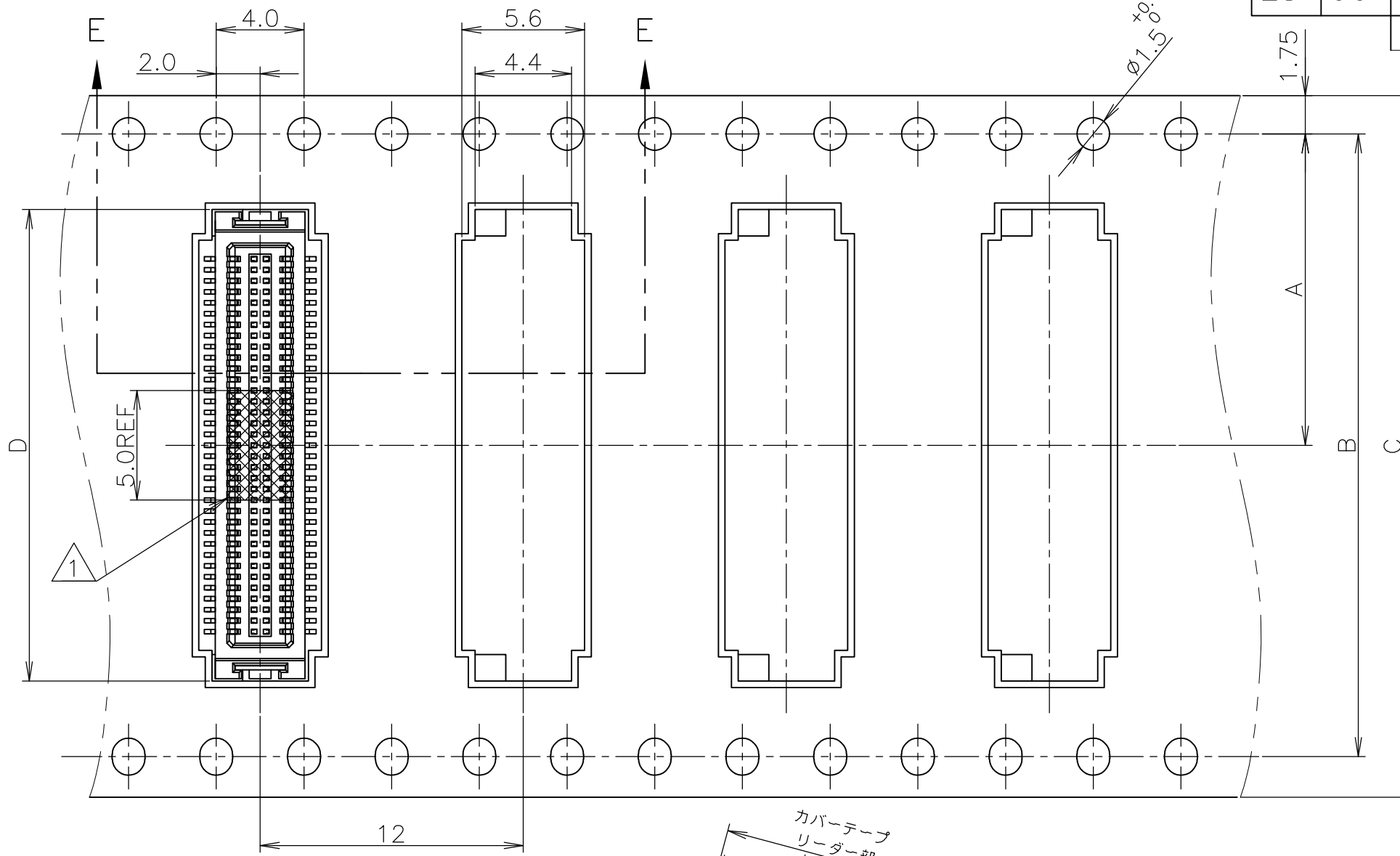
ALL RIGHTS RESERVED.

LOC ES DIST 00

REVISIONS

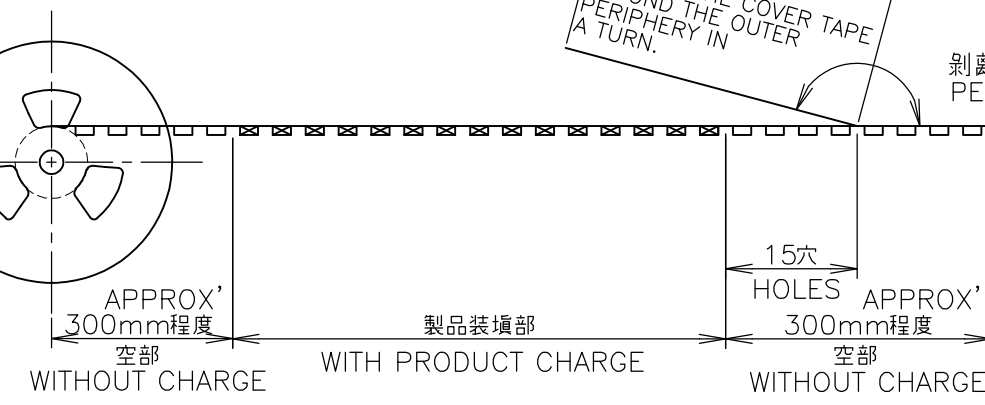
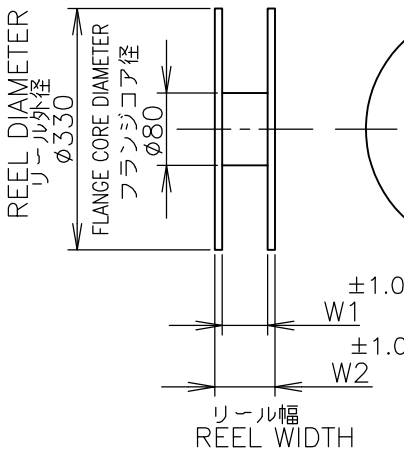
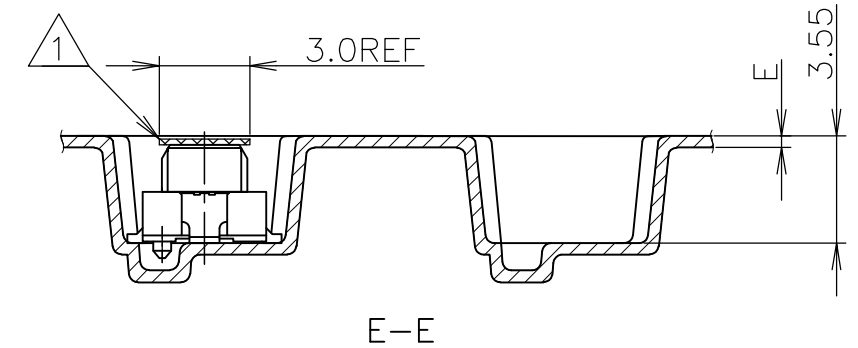
変更

P	LTR	DESCRIPTION	DATE	DWN	APVD
-	-	SEE SHEET 1			



テープ幅
TAPE WIDTH

引出し方向
TOP OF REEL →



FOR P/N 1-* -1

NOTES:

△ POLYIMIDE TAPE FOR PICK AND PLACE.

THIS DRAWING IS A CONTROLLED DOCUMENT.

DIMENSIONS: 単位: 耗 MM	TOLERANCES UNLESS OTHERWISE SPECIFIED: 一般公差
0 PLC	± 0.3
1 PLC	± 0.3
2 PLC	± 0.3
3 PLC	± 0.3
4 PLC	± 0.3
ANGLES	± 3°
MATERIAL 材料	FINISH 仕上

INSTRUCTION SHEET 取扱説明書	WIRE RANGE 抱合電線断面積	INSULATION DIA 被覆外径
DWN	TE Connectivity	
CHK		
APVD	NAME 名称	
PRODUCT SPEC 製品規格	ON TAPING (EMBOSS) 0.5mm PITCH FINE MATE CONN. RECEPTACLE ASSEMBLY	
APPLICATION SPEC 取付適用規格	SIZE	CAGE CODE
WEIGHT	DRAWING NO 番号	
CUSTOMER DRAWING	A3	00779
	RESTRICTED TO	
	SCALE 尺度 4:1	SHEET 2 OF 3
		REV B

THIS DRAWING IS UNPUBLISHED.

RELEASED FOR PUBLICATION APR , 2004.

© COPYRIGHT 2004 By -

ALL RIGHTS RESERVED.

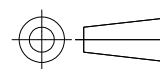
LOC	DIST	REVISIONS 変更					
ES	00	P	LTR	DESCRIPTION	DATE	DWN	APVD
		-		SEE SHEET 1			

WITH BOSS	WITHOUT MYLAR	37.5	33.5	0.4	19.1	32	28.4	14.2	1000	60	5-1565358-5	5-1565357-5
		50.5	45.5	0.4	24	44	40.4	20.2	1000	80	5-1565358-3	5-1565357-3
WITHOUT BOSS	WITH MYLAR	49.5	45.5	0.38	29.1	44	40.4	20.2	1000	100	1-1565358-1	1-1565357-1
	WITHOUT MYLAR	20.2	17.5	0.4	9.1	16	+-	7.5	1000	20	1565358-9	1565357-9
		29.5	25.5	0.38	16.6	24	+-	11.5	1000	50	1565358-6	1565357-6
		37.5	33.5	0.38	19.1	32	28.4	14.2	1000	60	1565358-5	1565357-5
		37.5	33.5	0.4	21.9	32	28.4	14.2	1000	70	1565358-4	1565357-4
		50.5	45.5	0.4	24	44	40.4	20.2	1000	80	1565358-3	1565357-3
		49.5	45.5	0.38	29.1	44	40.4	20.2	1000	100	1565358-1	1565357-1
BOSS	MYLAR	W2	W1	E	D	C	B	A	QTY/ REEL	POS	CONNECTOR P/N	TAPING P/N

ⓑ OBSOLETE

THIS DRAWING IS A CONTROLLED DOCUMENT.

DIMENSIONS:
単位: 耗
MM



MATERIAL
材料

TOLERANCES UNLESS
OTHERWISE SPECIFIED:
一般公差

- 0 PLC ± 0.3
- 1 PLC ± 0.3
- 2 PLC ± 0.3
- 3 PLC ± 0.3
- 4 PLC ± 0.3
- ANGLES ± 3'

FINISH
仕上

INSTRUCTION SHEET
取扱説明書

WIRE RANGE
適合電線断面積

INSULATION DIA
被覆外径

DWN

CHK

APVD

PRODUCT SPEC
製品規格

APPLICATION SPEC
取付適用規格

WEIGHT

CUSTOMER DRAWING



NAME
名称

ON TAPING (EMBOSS)
0.5mm PITCH FINE MATE CONN.
RECEPTACLE ASSEMBLY

SIZE

CAGE CODE

DRAWING NO
番号

RESTRICTED TO

A3 00779

G-1565357

SCALE
尺度 4:1

SHEET
3 of 3

REV
B