



Chipsmall Limited consists of a professional team with an average of over 10 year of expertise in the distribution of electronic components. Based in Hongkong, we have already established firm and mutual-benefit business relationships with customers from,Europe,America and south Asia,supplying obsolete and hard-to-find components to meet their specific needs.

With the principle of “Quality Parts,Customers Priority,Honest Operation,and Considerate Service”,our business mainly focus on the distribution of electronic components. Line cards we deal with include Microchip,ALPS,ROHM,Xilinx,Pulse,ON,Everlight and Freescale. Main products comprise IC,Modules,Potentiometer,IC Socket,Relay,Connector.Our parts cover such applications as commercial,industrial, and automotives areas.

We are looking forward to setting up business relationship with you and hope to provide you with the best service and solution. Let us make a better world for our industry!



## Contact us

Tel: +86-755-8981 8866 Fax: +86-755-8427 6832

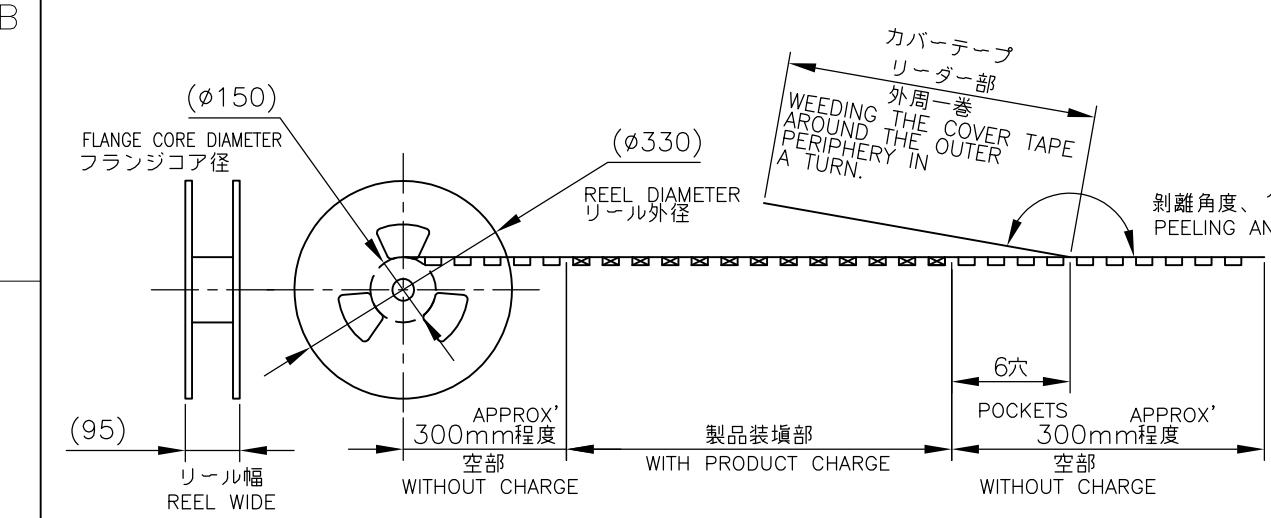
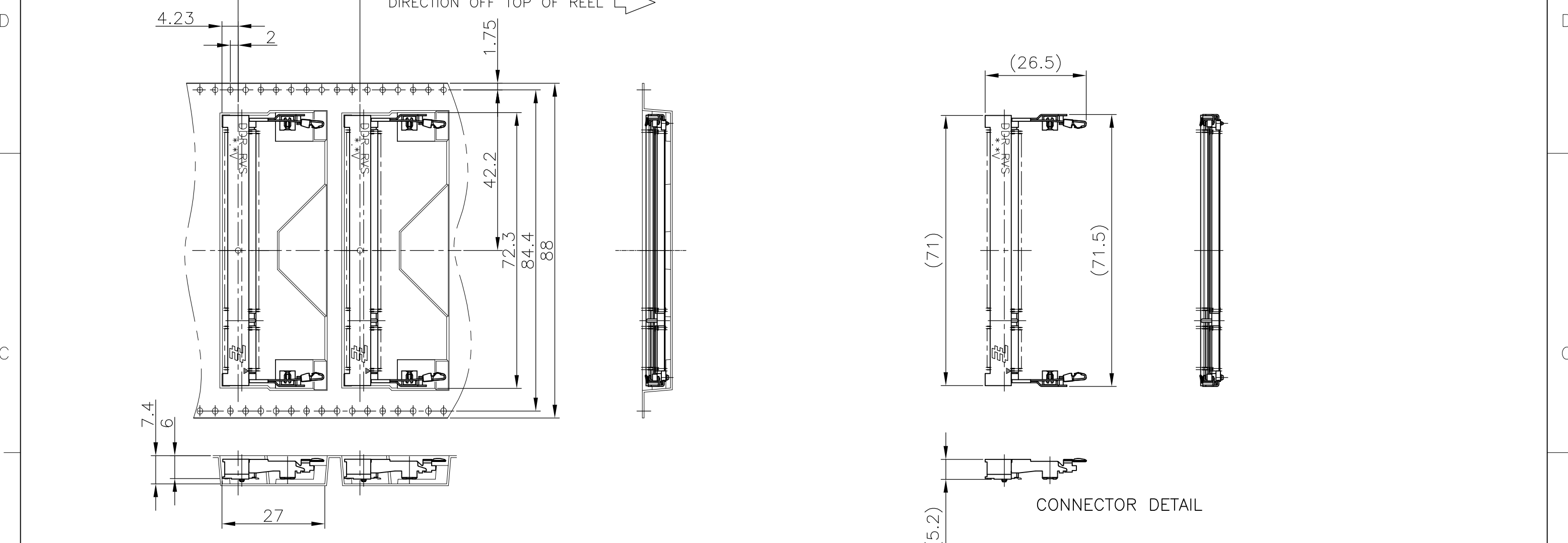
Email & Skype: info@chipsmall.com Web: www.chipsmall.com

Address: A1208, Overseas Decoration Building, #122 Zhenhua RD., Futian, Shenzhen, China



THIS DRAWING IS UNPUBLISHED. RELEASED FOR PUBLICATION DEC ,2001.  
 © COPYRIGHT 2001 By - ALL RIGHTS RESERVED.

LOC	DIST	REVISIONS					
		P	LTR	DESCRIPTION	DATE	DWN	APVD
J			D2	REVISED PER ECO-11-005033	11MAR11	RK	HMR



鉛フリー  
LEAD FREE

1.8V (DDR2)	150EA/REEL	1565712-4	1565918-4
2.5V (DDR1)	150EA/REEL	1565712-3	1565918-1
POWER SUPPLY (TYPE)	QTY	CONNECTOR P/N	P/N

THIS DRAWING IS A CONTROLLED DOCUMENT.

DIMENSIONS: 単位: 耗 mm	TOLERANCES UNLESS OTHERWISE SPECIFIED: 一般公差	DWN B.WONG 20JUL10	TE Connectivity <b>EMBOSS ASSEMBLY</b> DDR1 & DDR2 SODIMM SOCKET 200P STANDARD PROFILE REVERSE TYPE
	0 PLC ± 0.3	CHK C.WANG 20JUL10	
	1 PLC ± 0.3	APVD S.YAO 20JUL10	
	2 PLC ± 0.3	NAME 名称	
3 PLC ± 0.3	PRODUCT SPEC 製品規格 108-5701	SIZE	A3
4 PLC ± 0.3	APPLICATION SPEC 取付適用規格	CAGE CODE	00779
ANGLES ± 5'	FINISH 仕上	DRAWING NO 番号	G-1565918
MATERIAL 材料	WEIGHT	RESTRICTED TO	-
CUSTOMER DRAWING		SCALE 尺度 1:1	SHEET 1 OF 1
		REV D2	