



Chipsmall Limited consists of a professional team with an average of over 10 year of expertise in the distribution of electronic components. Based in Hongkong, we have already established firm and mutual-benefit business relationships with customers from,Europe,America and south Asia,supplying obsolete and hard-to-find components to meet their specific needs.

With the principle of “Quality Parts,Customers Priority,Honest Operation,and Considerate Service”,our business mainly focus on the distribution of electronic components. Line cards we deal with include Microchip,ALPS,ROHM,Xilinx,Pulse,ON,Everlight and Freescale. Main products comprise IC,Modules,Potentiometer,IC Socket,Relay,Connector.Our parts cover such applications as commercial,industrial, and automotives areas.

We are looking forward to setting up business relationship with you and hope to provide you with the best service and solution. Let us make a better world for our industry!



## Contact us

Tel: +86-755-8981 8866 Fax: +86-755-8427 6832

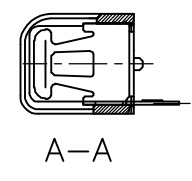
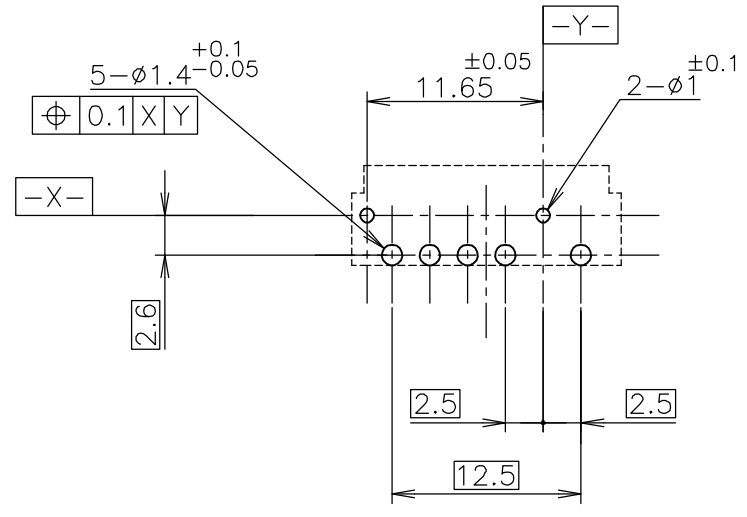
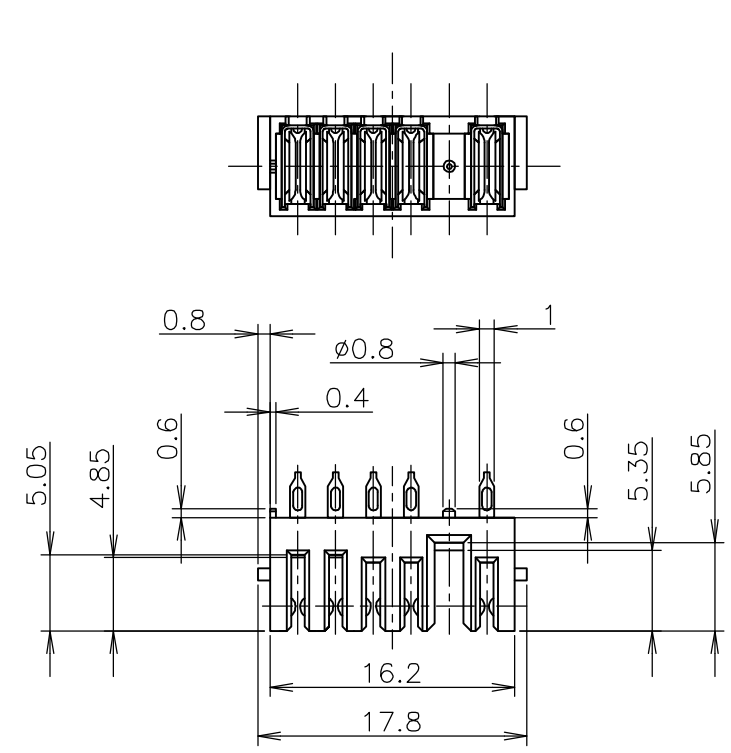
Email & Skype: info@chipsmall.com Web: www.chipsmall.com

Address: A1208, Overseas Decoration Building, #122 Zhenhua RD., Futian, Shenzhen, China

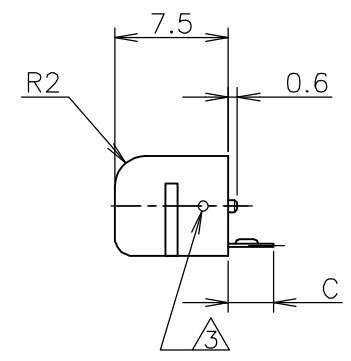
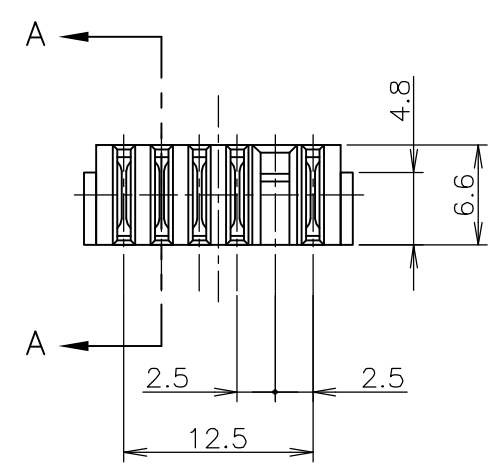


THIS DRAWING IS UNPUBLISHED. RELEASED FOR PUBLICATION DEC ,2001.  
 © COPYRIGHT 2001 BY TYCO ELECTRONICS CORPORATION. ALL RIGHTS RESERVED.

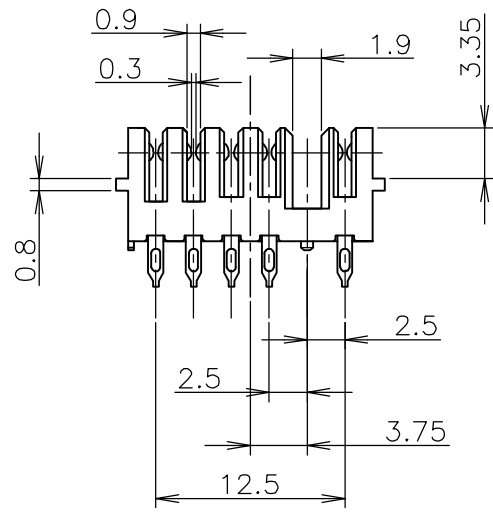
LOC	DIST	REVISIONS					
P	LTR	DESCRIPTION	DATE	DWN	APVD		
J	/	A1	REVISED	ECR-05-013643	24AUG05	C.Z	S.Y



REFERENCE P.C.BOARD LAYOUT  
 P.C.BOARD THK 0.8~1.2  
 (VIEW FROM CONNECTOR MOUNTING SIDE)



- ① MATERIAL HOUSING : THERMOPLASTIC RESIN, UL94V-0  
 COLOR ; BLACK  
 CONTACT : COPPER ALLOY
- ② FINISH CONTACT : Ni ALL OVER UNDER PL  
 TIN PL. AT LEAD AREA  
 Au PL. AT CONTACT AREA
- ③ WHITE MARKING TO THIS POSITION



1.8	5	1565986-2
3	5	1565986-1
C	Pos.	PART No.

THIS DRAWING IS A CONTROLLED DOCUMENT.		DWN T.KATANO 20DEC01	Tyco Electronics AMP K.K. Kawasaki,Japan	
DIMENSIONS: MM		CHK K.IKEGAMI 20DEC01		
TOLERANCES UNLESS OTHERWISE SPECIFIED:		APVD T.YAMADA 20DEC01	NAME	
0 PLC ± 0.3 1 PLC ± 0.3 2 PLC ± 0.3 3 PLC ± 0.3 4 PLC ± 0.3 ANGLES ± 3'		PRODUCT SPEC 108-5783	RECEPTACLE ASSEMBLY 2.5mm PITCH BATTERY CONNECTOR (5POS.)	
MATERIAL ①		FINISH ②	APPLICATION SPEC	RESTRICTED TO
		WEIGHT	SIZE A3	CAGE CODE 00779
		CUSTOMER DRAWING	DRAWING NO C-1565986	SCALE 2:1
			SHEET 1 OF 1	REV A1