



Chipsmall Limited consists of a professional team with an average of over 10 year of expertise in the distribution of electronic components. Based in Hongkong, we have already established firm and mutual-benefit business relationships with customers from,Europe,America and south Asia,supplying obsolete and hard-to-find components to meet their specific needs.

With the principle of "Quality Parts,Customers Priority,Honest Operation,and Considerate Service",our business mainly focus on the distribution of electronic components. Line cards we deal with include Microchip,ALPS,ROHM,Xilinx,Pulse,ON,Everlight and Freescale. Main products comprise IC,Modules,Potentiometer,IC Socket,Relay,Connector.Our parts cover such applications as commercial,industrial, and automotives areas.

We are looking forward to setting up business relationship with you and hope to provide you with the best service and solution. Let us make a better world for our industry!



## Contact us

Tel: +86-755-8981 8866 Fax: +86-755-8427 6832

Email & Skype: info@chipsmall.com Web: www.chipsmall.com

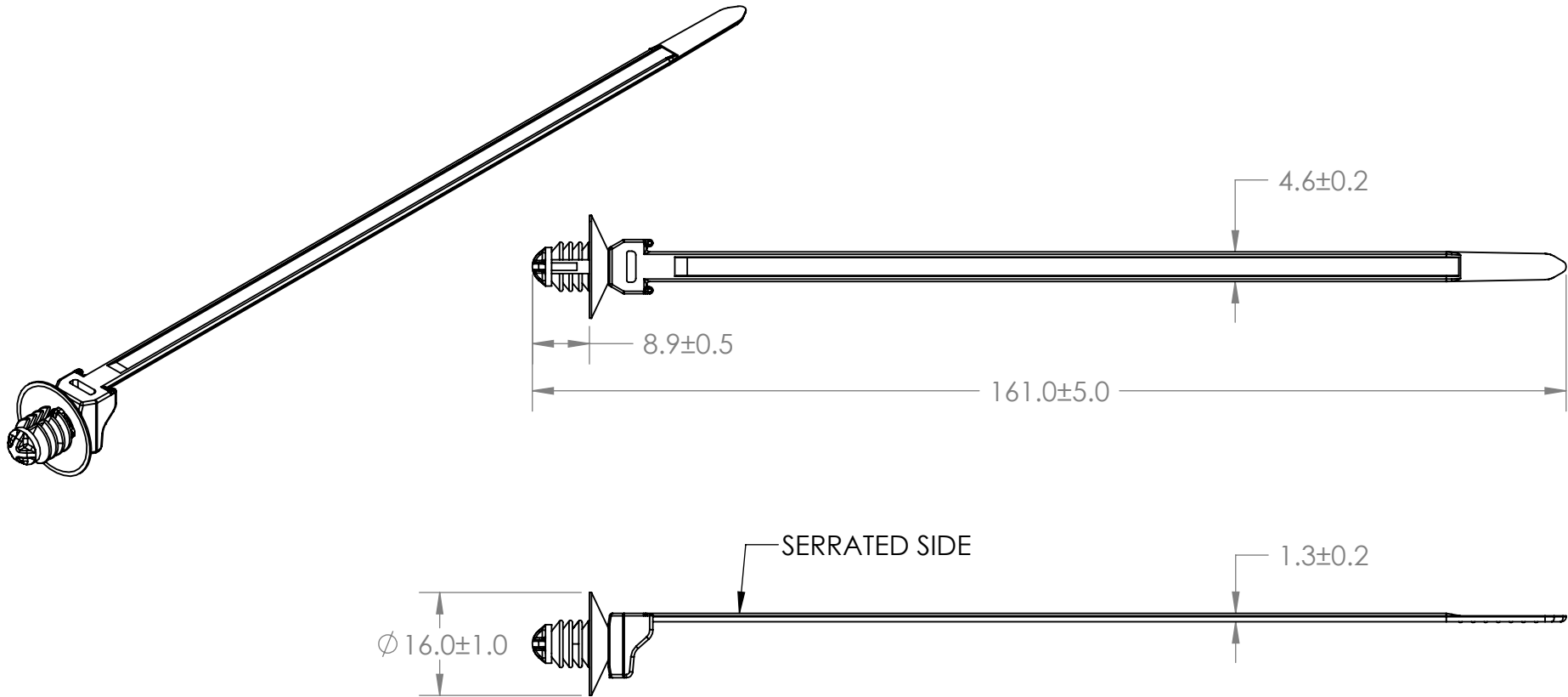
Address: A1208, Overseas Decoration Building, #122 Zhenhua RD., Futian, Shenzhen, China



SW2010



Revision level		Revision Record	Changed	Date	Approved	Date
Drawing	Part					
00	-	SEE ECN# 011676	AAC	05/24/2011	AAC	05/24/2011



Material  
PA66HS

1.0 to 35	180	6.3 to 7.0	.6 to 4.2
Bundle Ø Range	Min Loop Tensile Strength (N)	Mounting Hole Size	Panel Thickness Range
PERFORMANCE SPECIFICATIONS			

Units millimeters  
Dimension without tolerances details to:  
.xxxx = ±.0025  
.xxx = ±.013  
.xx = ±.13  
.x = ±.3  
None = ±.8  
∠ = ±0.5°

The copyright of this drawing is reserved by HellermannTyton. It is issued on condition that it is not reproduced, copied, or disclosed to a third party, either wholly or in part, without the consent of HellermannTyton.

Drawn	AAC	11/05/2010
Approved	AAC	05/24/2011
<b>HellermannTyton</b>		
North America Email: corp@htamericas.com Web: www.hellermann.tyton.com		

Article/Type-No	T50SOSFT6E2	Scale	1:1
Title	T50SOSFT6E2 T50S OUTSIDE SERRATED WITH FIR TREE	Project Number	PRP10-0745
Drawing-No	CT10-0745-001CST	Production : Phase	Format AH
			Sheet 1/1

**Product Number**  
**Cross Reference Record**

Uncontrolled Document

<b>Pre-UNS Number System</b>	<b>(New) UNS Universal Number System</b>	<b>Customer Part Number</b>
Product Number  <b>T50SOSFT6E2</b>	Product Number  <b>157-00108</b>	Product Number  <b>-</b>
Reference Drawing Number: <b>CT10-0745-001CST</b>		

Issued By:	(New) UNS Product Number	Issue Date:
<b>HellermannTyton</b>	<b>Universal Numbering System</b>	<b>June 7, 2011</b>