



Chipsmall Limited consists of a professional team with an average of over 10 year of expertise in the distribution of electronic components. Based in Hongkong, we have already established firm and mutual-benefit business relationships with customers from,Europe,America and south Asia,supplying obsolete and hard-to-find components to meet their specific needs.

With the principle of “Quality Parts,Customers Priority,Honest Operation,and Considerate Service”,our business mainly focus on the distribution of electronic components. Line cards we deal with include Microchip,ALPS,ROHM,Xilinx,Pulse,ON,Everlight and Freescale. Main products comprise IC,Modules,Potentiometer,IC Socket,Relay,Connector.Our parts cover such applications as commercial,industrial, and automotives areas.

We are looking forward to setting up business relationship with you and hope to provide you with the best service and solution. Let us make a better world for our industry!



## Contact us

Tel: +86-755-8981 8866 Fax: +86-755-8427 6832

Email & Skype: info@chipsmall.com Web: www.chipsmall.com

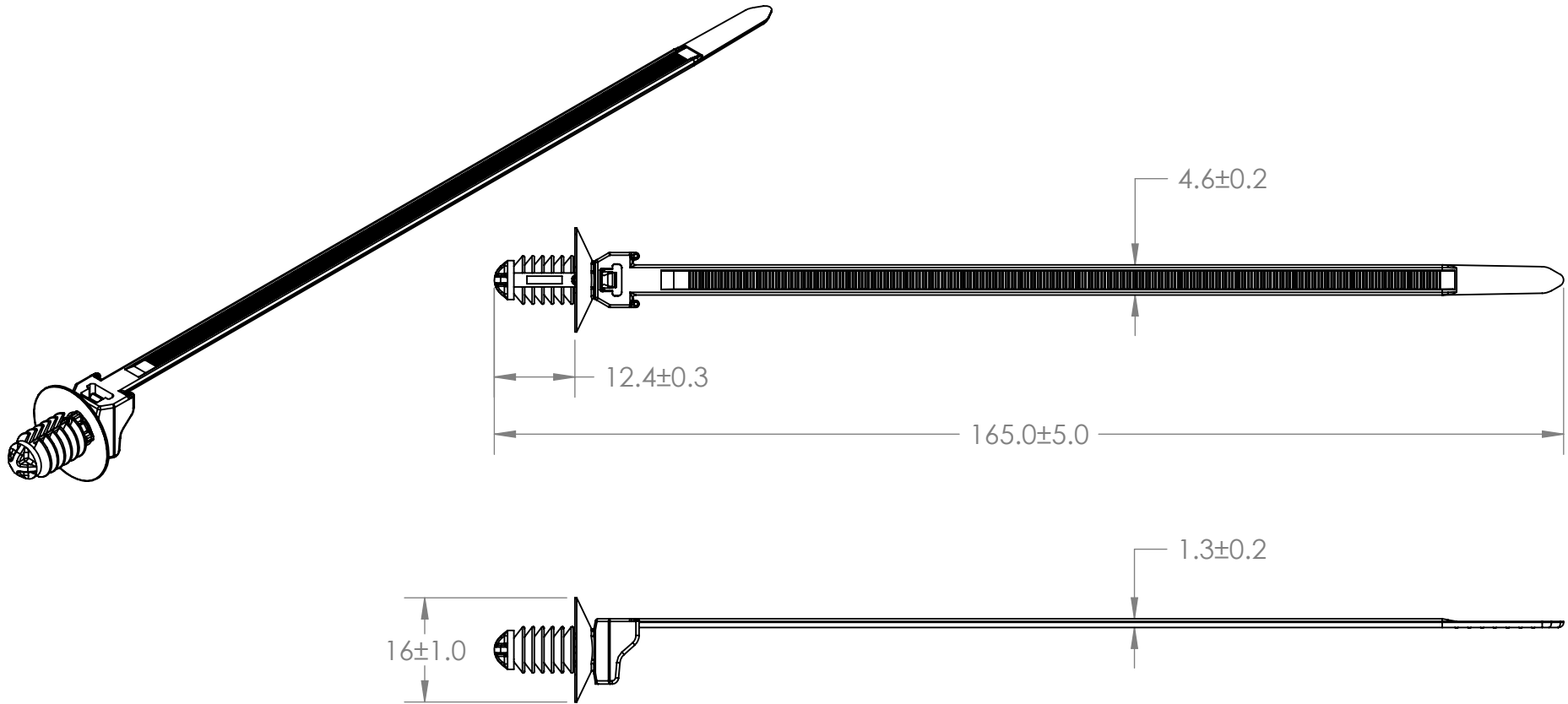
Address: A1208, Overseas Decoration Building, #122 Zhenhua RD., Futian, Shenzhen, China



SW2009



Revision level		Revision Record	Changed	Date	Approved	Date
Drawing	Part					
<b>04</b>	-	SEE ECN# 011651	TJM	10/1/2010	TJM	10/01/2010



04

**Material**  
PA66HS, PA66HIRHSUV

1.0 to 35.0	180	6.3-7.0	0.7-7.0
Bundle $\phi$ Range	Min Loop Tensile Strength (Newtons)	Mounting Hole Size	Panel Thickness Range
PERFORMANCE SPECIFICATIONS			

Units millimeters

Dimension without tolerances details to:

- .xxxx =  $\pm 0.0025$
- .xxx =  $\pm 0.013$
- .xx =  $\pm 0.13$
- .x =  $\pm 0.3$
- None =  $\pm 0.8$
- $\angle$  =  $\pm 0.5^\circ$

The copyright of this drawing is reserved by HellermannTyton. It is issued on condition that it is not reproduced, copied, or disclosed to a third party, either wholly or in part, without the consent of HellermannTyton.

Drawn	AAC	7/12/2010	Article/Type-No	T50SOSFT6LGE	Scale	1:1
Approved	TJM	10/01/2010	Title	T50SOSFT6LG-E T50S OUTSIDE SERRATED WITH FIR TREE	Project Number	PRP09-0334
<b>HellermannTyton</b> North America Email: corp@htamericas.com Web: www.hellermann.tyton.com			Drawing-No	Production : Phase	Format	AH
			<b>CT09-0334-003CST</b>		Sheet	1/1