



Chipsmall Limited consists of a professional team with an average of over 10 year of expertise in the distribution of electronic components. Based in Hongkong, we have already established firm and mutual-benefit business relationships with customers from,Europe,America and south Asia,supplying obsolete and hard-to-find components to meet their specific needs.

With the principle of "Quality Parts,Customers Priority,Honest Operation,and Considerate Service",our business mainly focus on the distribution of electronic components. Line cards we deal with include Microchip,ALPS,ROHM,Xilinx,Pulse,ON,Everlight and Freescale. Main products comprise IC,Modules,Potentiometer,IC Socket,Relay,Connector.Our parts cover such applications as commercial,industrial, and automotives areas.

We are looking forward to setting up business relationship with you and hope to provide you with the best service and solution. Let us make a better world for our industry!



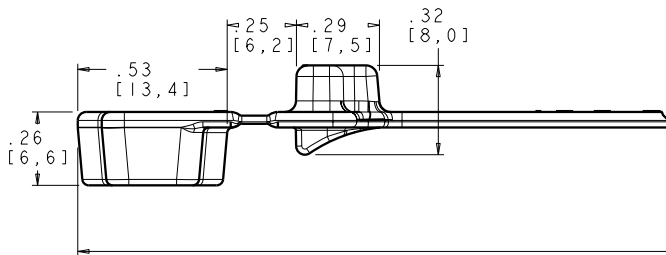
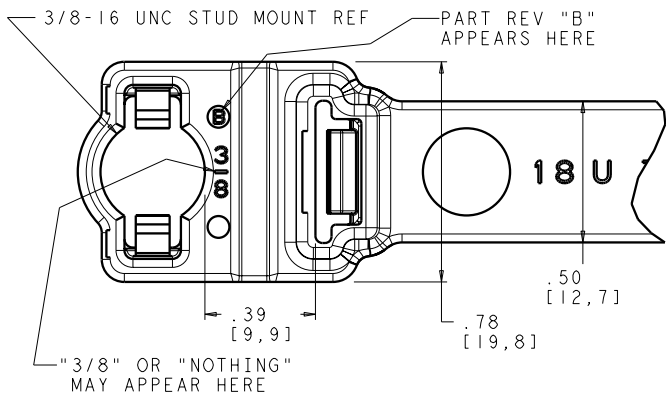
## Contact us

Tel: +86-755-8981 8866 Fax: +86-755-8427 6832

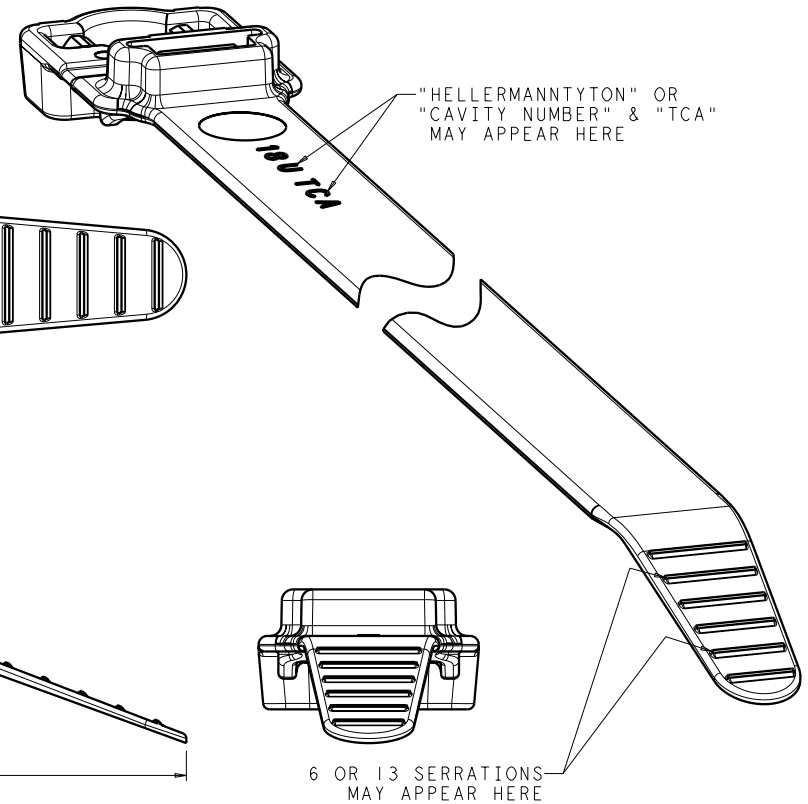
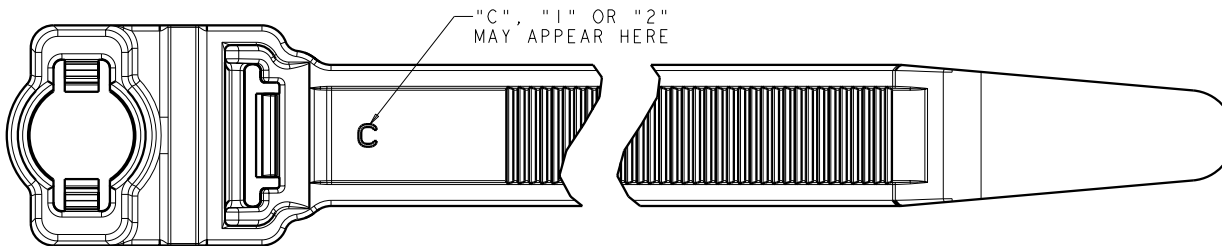
Email & Skype: info@chipsmall.com Web: www.chipsmall.com

Address: A1208, Overseas Decoration Building, #122 Zhenhua RD., Futian, Shenzhen, China





SEE TABLE



- △04 PERFORMANCE REQUIREMENTS (Dry as Molded):**
1. STRAP INSERTION < 5 lb.
  2. MINIMUM WIRE BUNDLE DIAMETER = 3/8"
  3. LOOP TENSILE > 120 lb.
  4. STUD INSERTION < 10 lb.
  5. STUD PULLOUT > 110 lb.

PART NUMBER	OVERALL LENGTH	MAX BUNDLE DIA
WSS380	9.7	2.25
WSI380	12.7	3.25
WSR380	15.7	4.125

INVENTORS

**HellermannTyton®**

ALL PROPRIETARY RIGHTS IN THE SUBJECT MATTER SHOWN ON THIS DRAWING ARE EXCLUSIVE PROPERTY OF HELLERMANN TYTON

name	date	city, state
G GEIGER	3/17/03	JACKSON, WI

REVISION

D level	△04
by	GGG
date	11/25/09
ECN #	011439
part level	B

DIMENSIONS

.XXXX=	±0.005/[.127]
.XXX=	±0.010/[.25]
.XX=	±0.02/[.5]
.X=	±0.25/[6,4]
∠	±0.5
unless otherwise specified	
units	inches/[mm]

PART

number	see table	phase	△04 PRODUCTION
name	T120 WIDE STRAP W/ 3/8" STUD MOUNT		
material	IMPACT MODIFIED, HEAT STABILIZED UV RESISTANT, NYLON 6/6 BLACK		

DRAWING

FORMAT	AH version J	CAD	PRO-E	scale	3/2
computer file number	previous number				
drawn	G GEIGER	checked	K Christian	approved	
date	8/29/02	checked	11/25/09	approved	
type	CUSTOMER			sheet	1 of 1
number	CT2127010CST				