



Chipsmall Limited consists of a professional team with an average of over 10 year of expertise in the distribution of electronic components. Based in Hongkong, we have already established firm and mutual-benefit business relationships with customers from,Europe,America and south Asia,supplying obsolete and hard-to-find components to meet their specific needs.

With the principle of “Quality Parts,Customers Priority,Honest Operation,and Considerate Service”,our business mainly focus on the distribution of electronic components. Line cards we deal with include Microchip,ALPS,ROHM,Xilinx,Pulse,ON,Everlight and Freescale. Main products comprise IC,Modules,Potentiometer,IC Socket,Relay,Connector.Our parts cover such applications as commercial,industrial, and automotives areas.

We are looking forward to setting up business relationship with you and hope to provide you with the best service and solution. Let us make a better world for our industry!



## Contact us

Tel: +86-755-8981 8866 Fax: +86-755-8427 6832

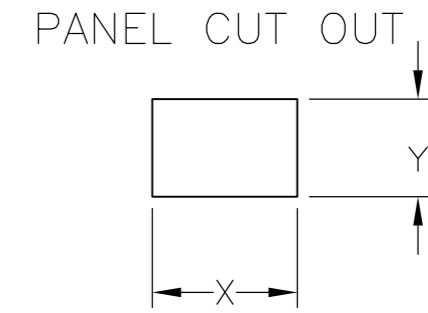
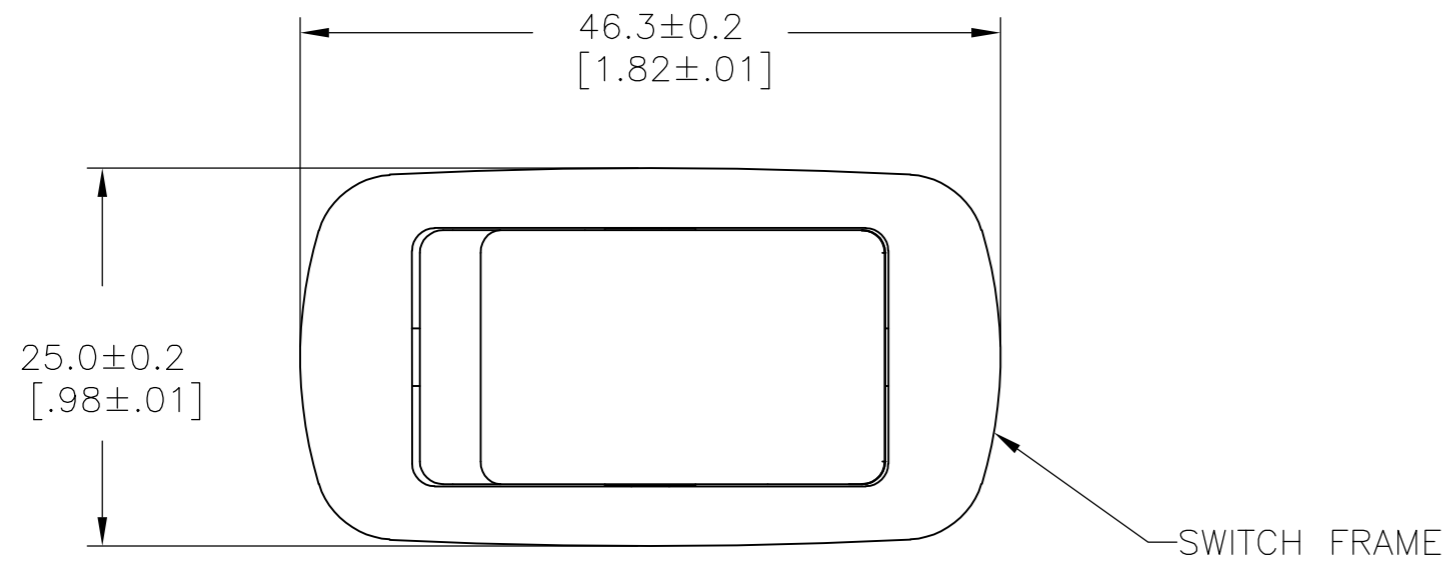
Email & Skype: info@chipsmall.com Web: www.chipsmall.com

Address: A1208, Overseas Decoration Building, #122 Zhenhua RD., Futian, Shenzhen, China

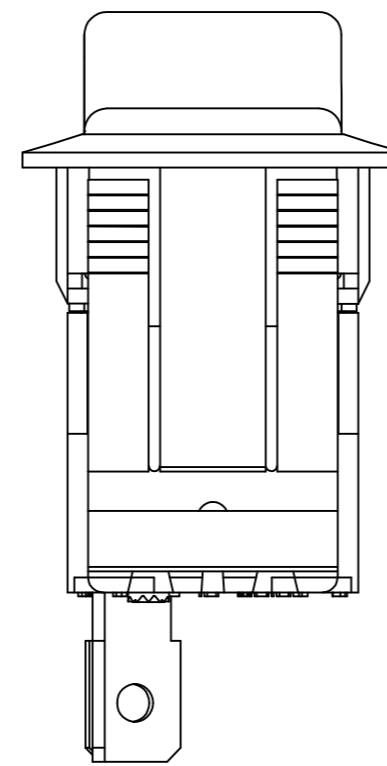
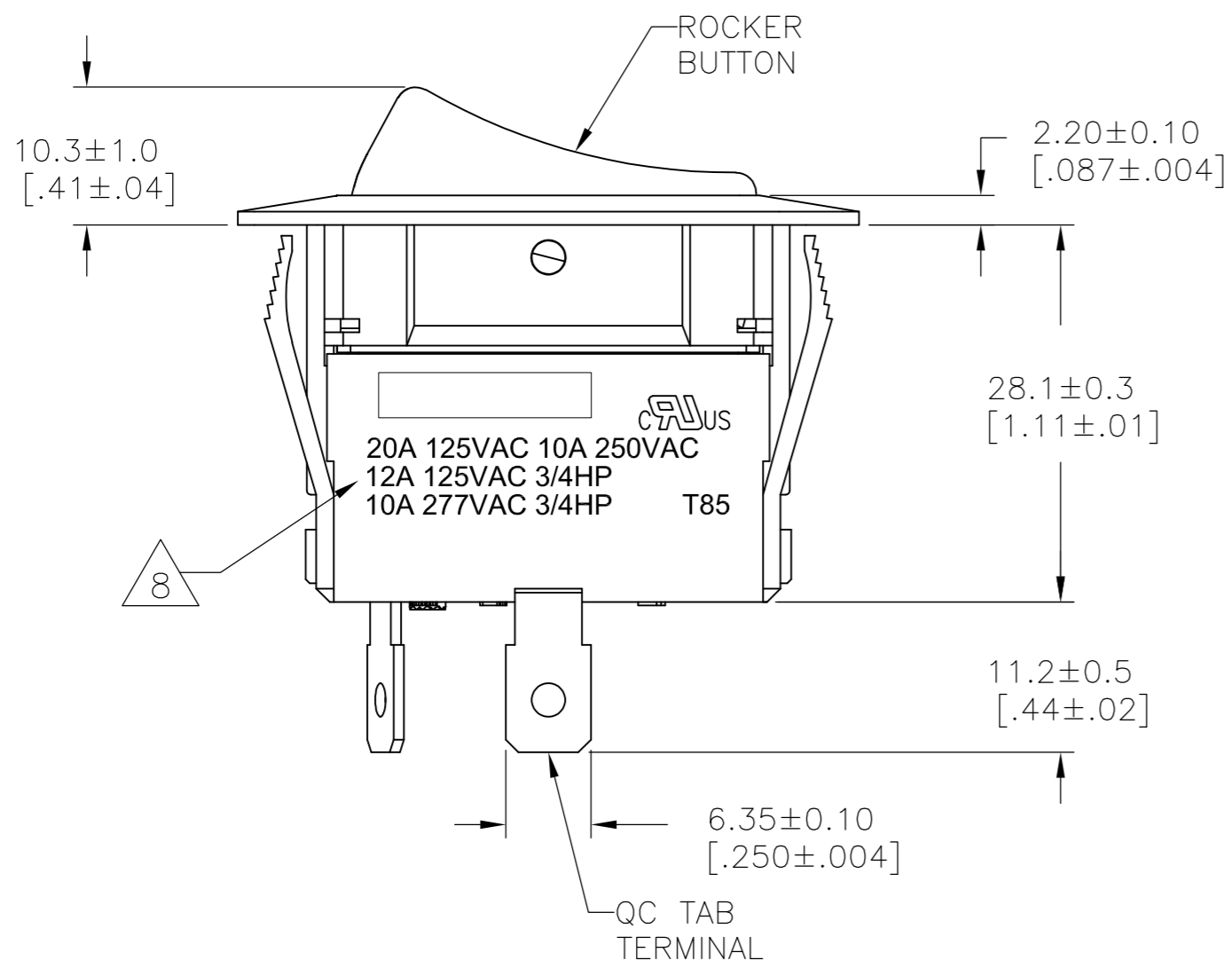


THIS DRAWING IS UNPUBLISHED. RELEASED FOR PUBLICATION  
 © COPYRIGHT - By - ALL RIGHTS RESERVED.

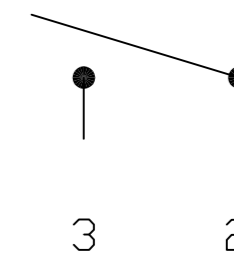
LOC		DIST		REVISIONS			
P	LTR	DESCRIPTION		DATE	DWN	APVD	
		C3		REVISED PER ECO-11-004820	11MAR11	RK HMR	



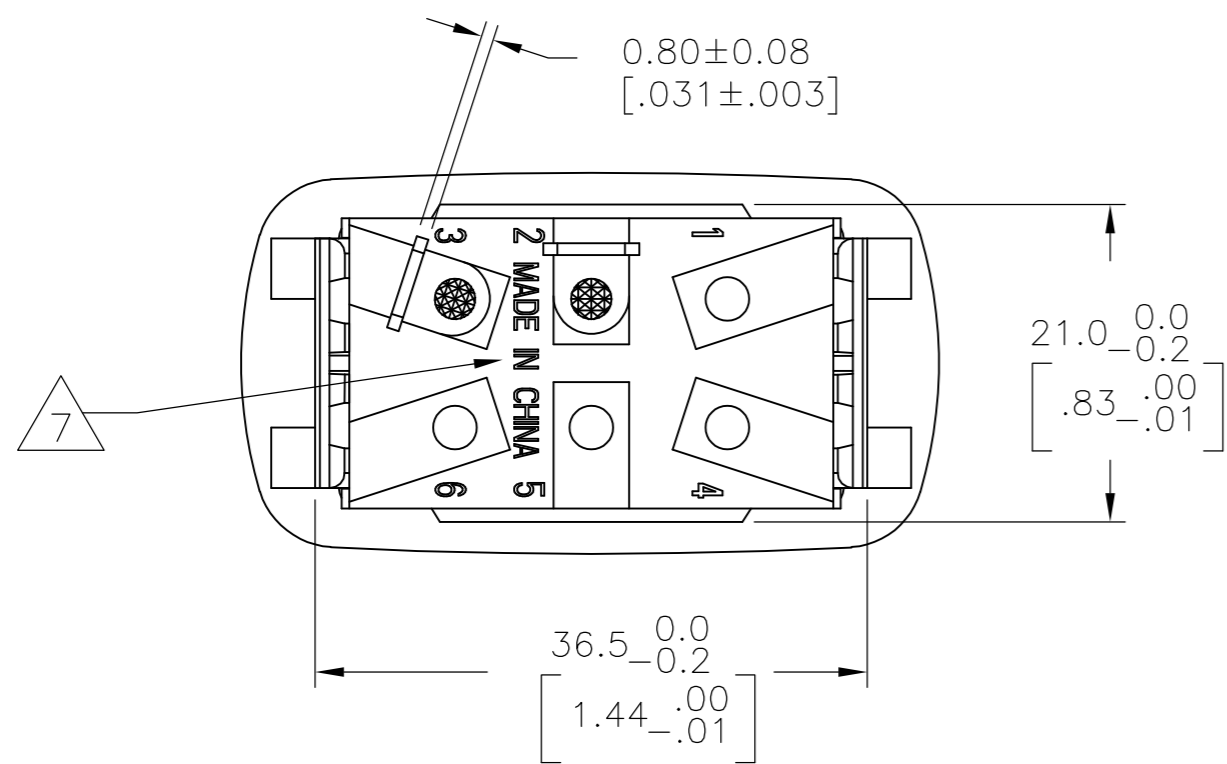
2.00-3.00 [.079-.118]	21.2+0.1 [.835+.004]	37.0+0.2 [1.457+.008]
1.25-2.00 [.049-.079]	21.2+0.1 [.835+.004]	36.8+0.2 [1.449+.008]
.075-1.25 [.030-.049]	21.2+0.1 [.835+.004]	36.6+0.2 [1.441+.008]
PANEL THICKNESS	Y	X



SWITCH FUNCTION A1  
 CIRCUIT DIAGRAM



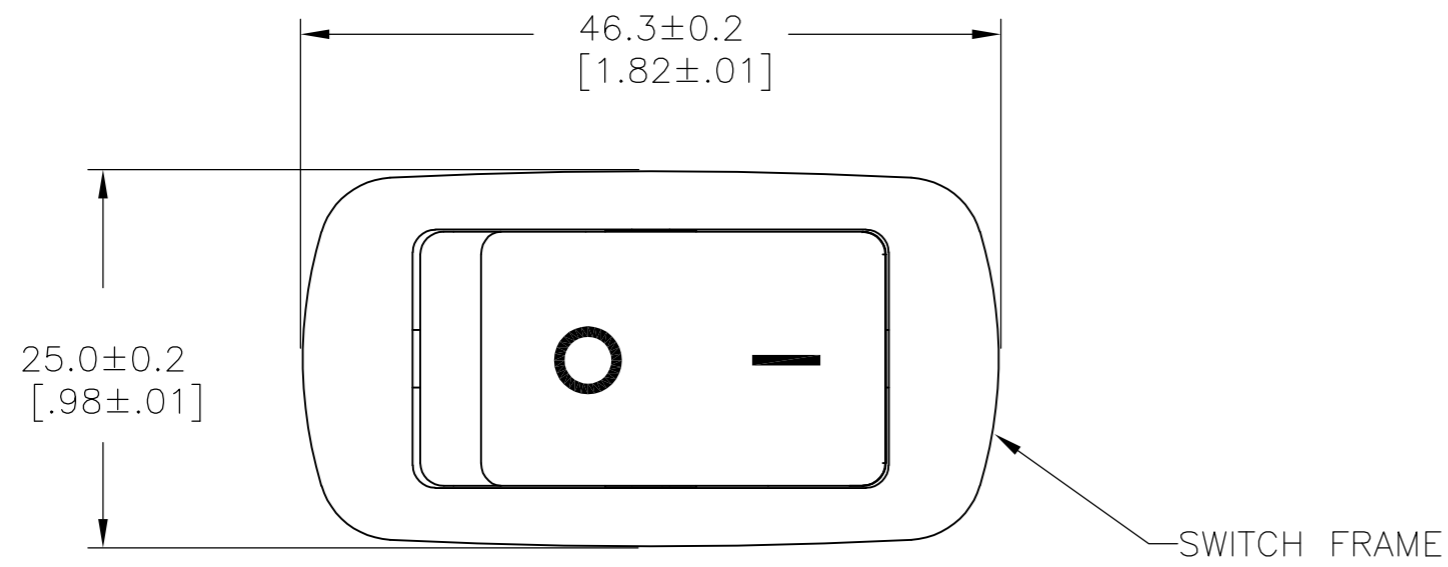
1571095-1  
 SHOWN



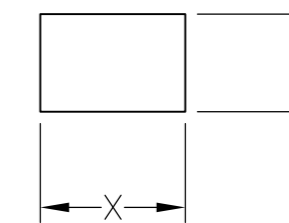
THIS DRAWING IS A CONTROLLED DOCUMENT.		DWN M.BINNER 25FEB2002		
DIMENSIONS: mm [INCHES]		CHK D.ROHDE 16NOV05		
TOLERANCES UNLESS OTHERWISE SPECIFIED:		APVD D.ROHDE 16NOV05	NAME POWER ROCKER SWITCH, 21.2mm X 36.6mm MIN PANEL CUT-OUT SIZE SINGLE POLE, SINGLE THROW, NON-ILLUMINATED	
0 PLC ± - 1 PLC ± - 2 PLC ± - 3 PLC ± - 4 PLC ± - ANGLES ± -		PRODUCT SPEC	SIZE A2	
MATERIAL		APPLICATION SPEC	CAGE CODE 00779	DRAWING NO C=1571095
FINISH		WEIGHT	RESTRICTED TO	
1		CUSTOMER DRAWING		SCALE 2:1
2		SHEET 1 of 4		REV C3

THIS DRAWING IS UNPUBLISHED. RELEASED FOR PUBLICATION  
 © COPYRIGHT - By - ALL RIGHTS RESERVED.

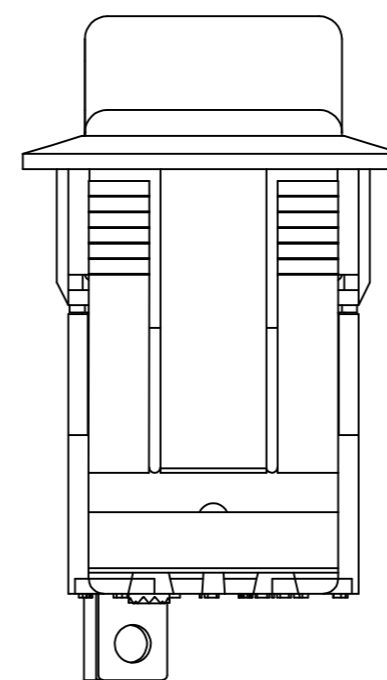
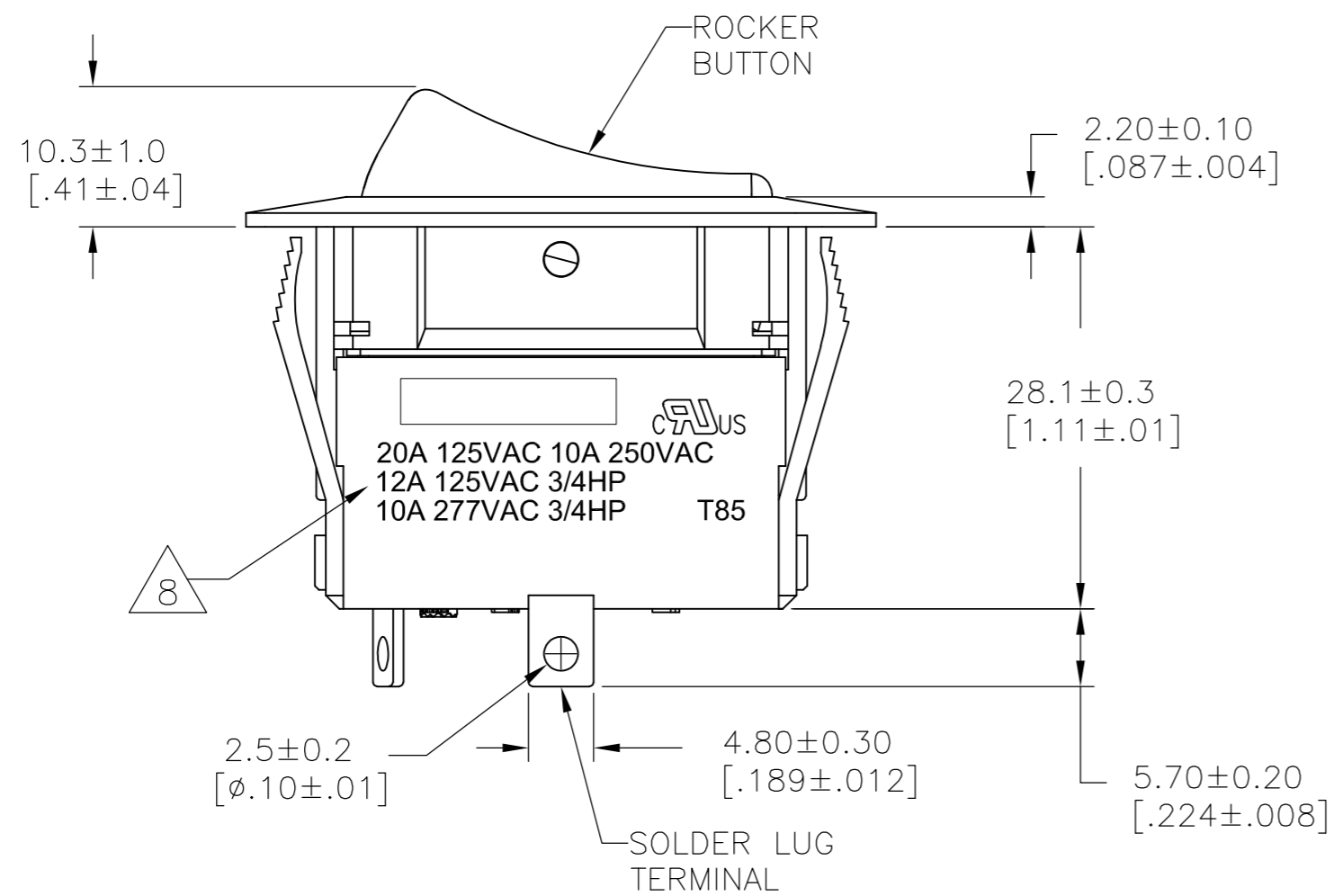
LOC	DIST	REVISIONS			
P	LTR	DESCRIPTION	DATE	DWN	APVD
AD	00	SEE SHEET 1	-	-	-



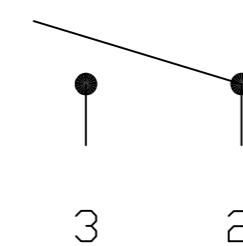
PANEL CUT OUT



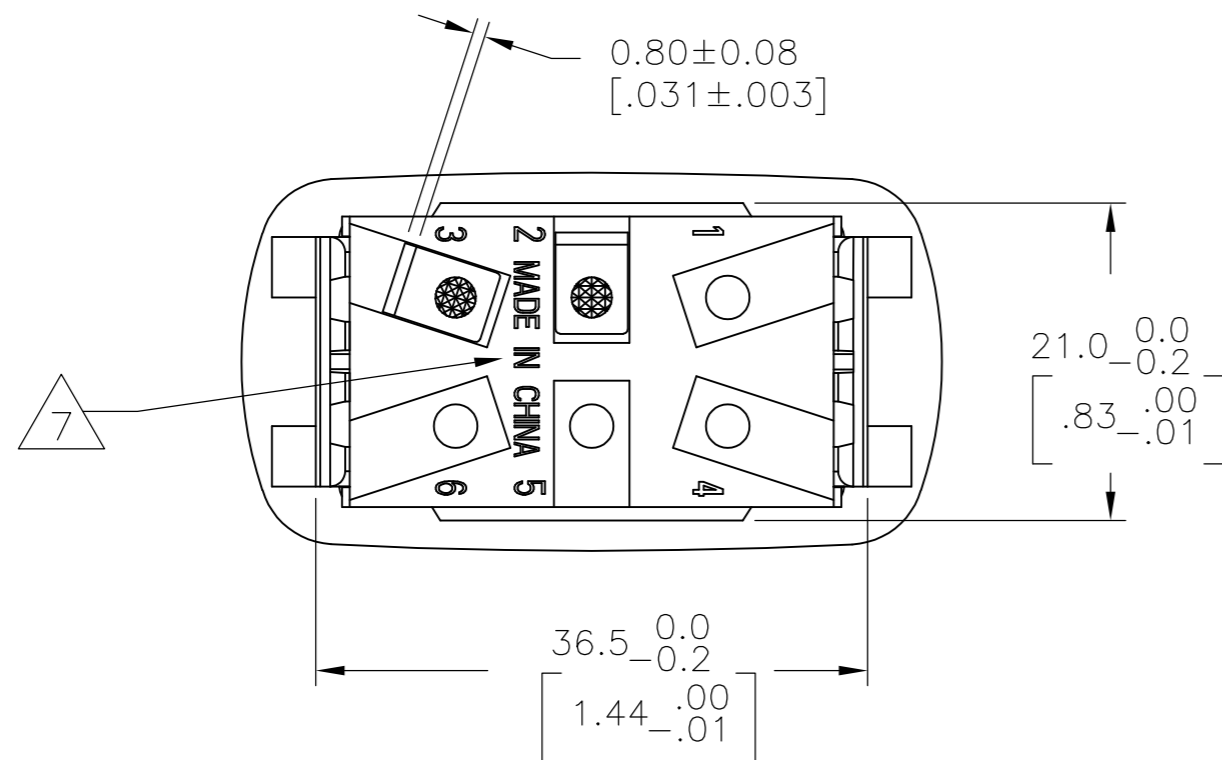
2.00-3.00 [.079-.118]	21.2+0.1 [.835+.004]	37.0+0.2 [1.457+.008]
1.25-2.00 [.049-.079]	21.2+0.1 [.835+.004]	36.8+0.2 [1.449+.008]
.075-1.25 [.030-.049]	21.2+0.1 [.835+.004]	36.6+0.2 [1.441+.008]
PANEL THICKNESS	Y	X



SWITCH FUNCTION A1  
 CIRCUIT DIAGRAM



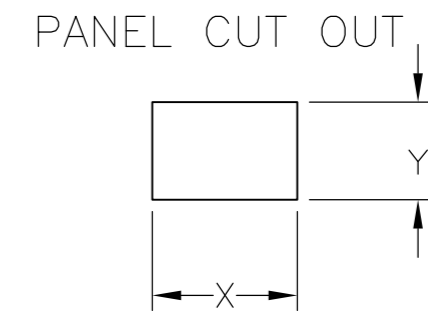
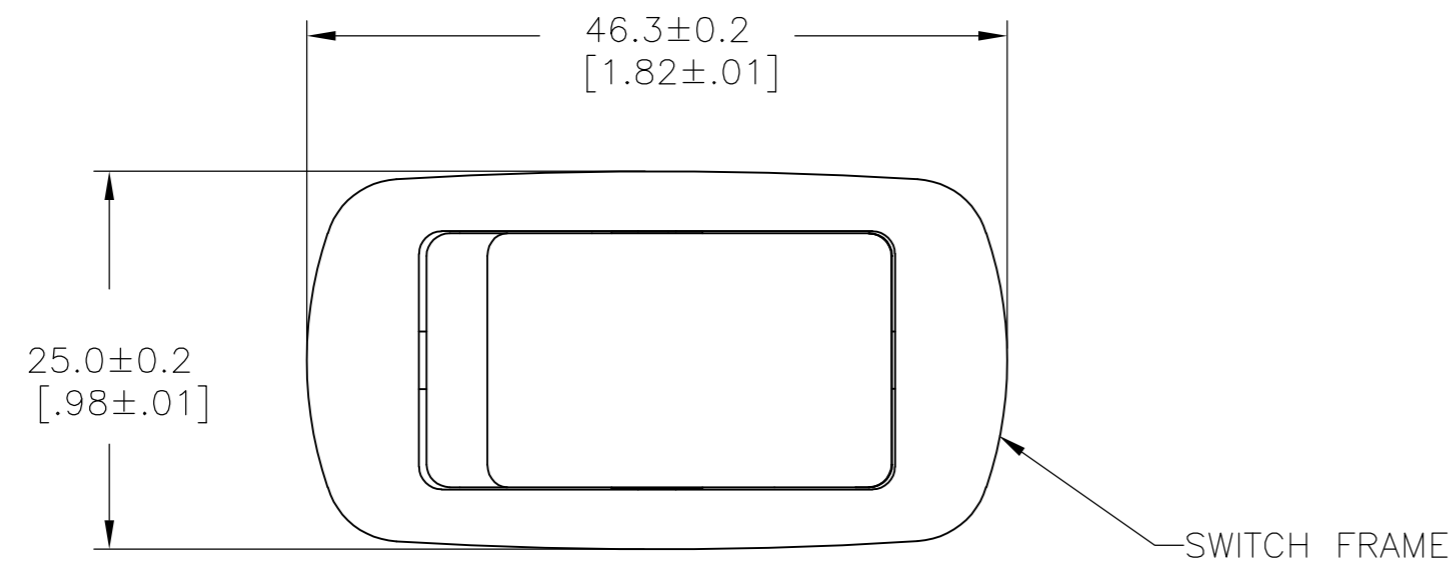
1571095-5  
 SHOWN



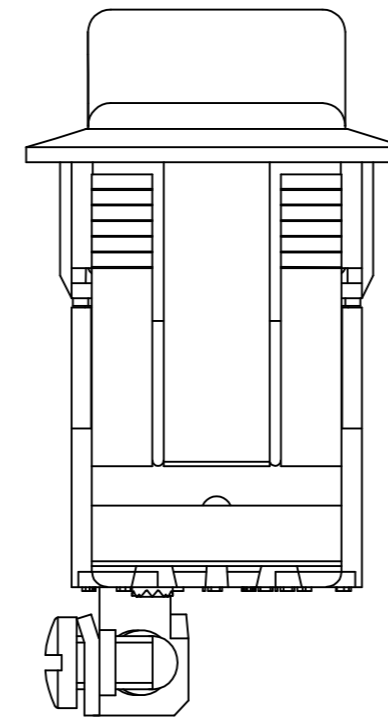
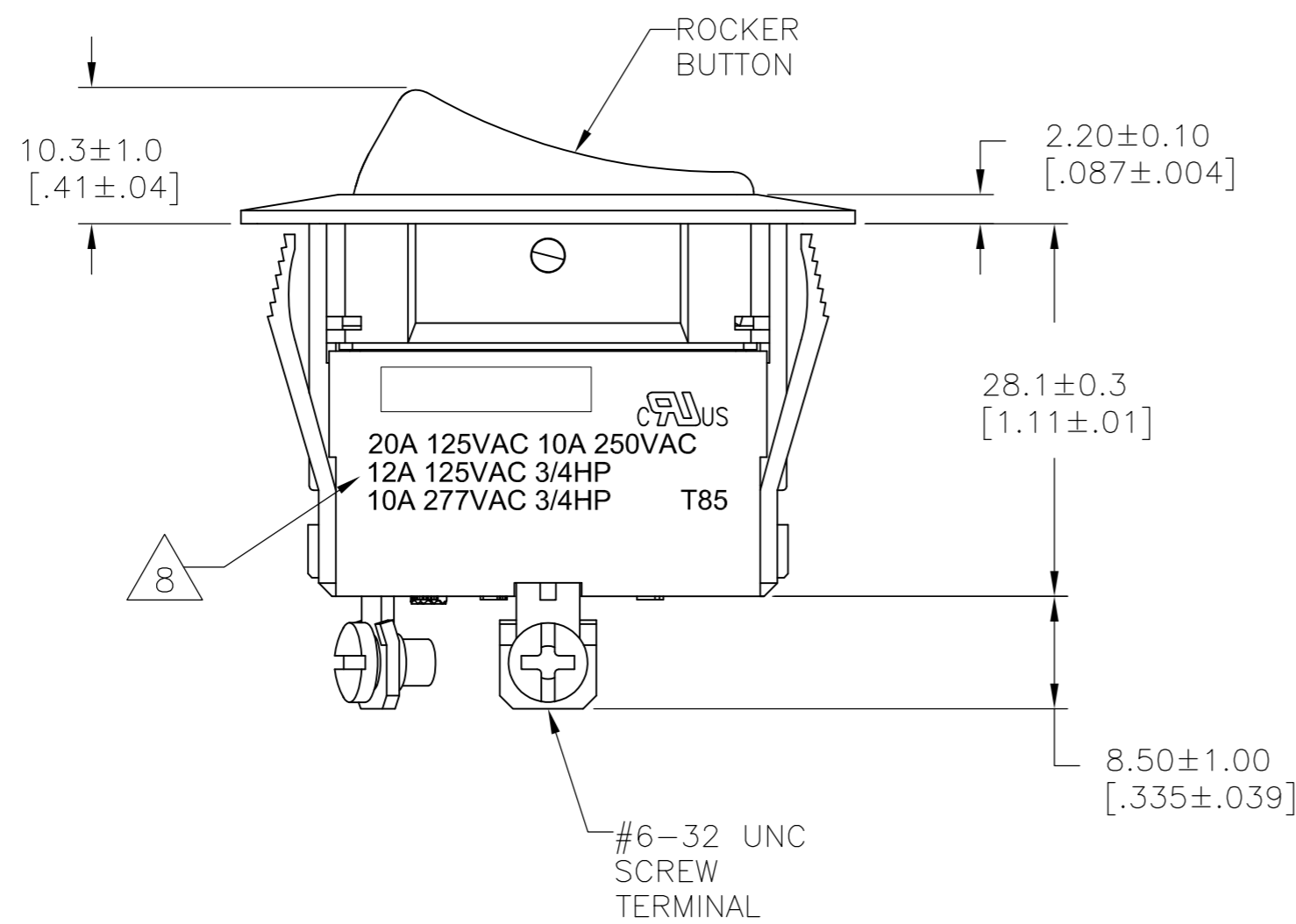
DIMENSIONS:		TOLERANCES UNLESS OTHERWISE SPECIFIED:		MATERIAL		FINISH		WEIGHT		SCALE		SHEET		REV	
mm	[INCHES]	0 PLC	± -	1 PLC	± -	1	2	-	2:1	2	OF 4	C3			
THIS DRAWING IS A CONTROLLED DOCUMENT.		DWN M.BINNER 25FEB2002		D.RÖHDE 16NOV05		D.RÖHDE 16NOV05		D.RÖHDE 16NOV05		A2		00779		C=1571095	
NAME		POWER ROCKER SWITCH, 21.2mm X 36.6mm MIN		PANEL CUT-OUT SIZE		SINGLE POLE, SINGLE THROW, NON-ILLUMINATED		CUSTOMER DRAWING		SCALE		SHEET		REV	
SIZE		CAGE CODE		DRAWING NO		RESTRICTED TO									

THIS DRAWING IS UNPUBLISHED. RELEASED FOR PUBLICATION  
 © COPYRIGHT - By - ALL RIGHTS RESERVED.

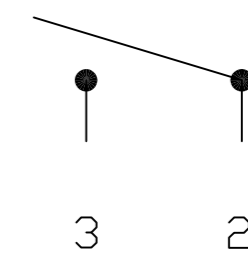
LOC	DIST	REVISIONS			
P	LTR	DESCRIPTION	DATE	DWN	APVD
AD	00	SEE SHEET 1	-	-	-



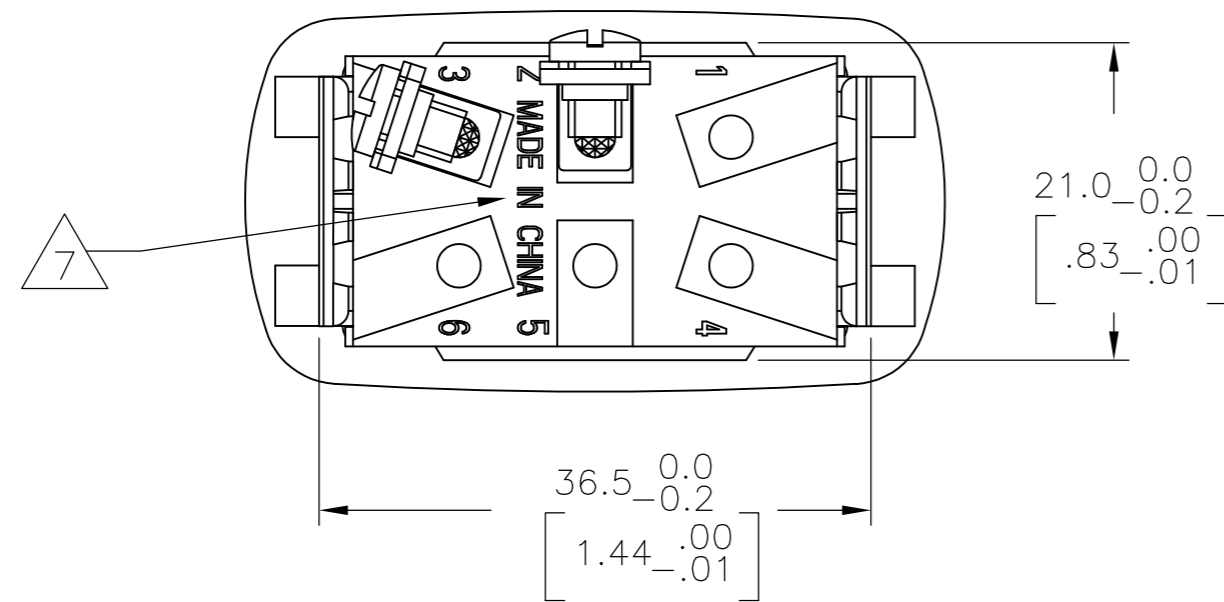
2.00-3.00 [.079-.118]	21.2+0.1 [.835+.004]	37.0+0.2 [1.457+.008]
1.25-2.00 [.049-.079]	21.2+0.1 [.835+.004]	36.8+0.2 [1.449+.008]
.075-1.25 [.030-.049]	21.2+0.1 [.835+.004]	36.6+0.2 [1.441+.008]
PANEL THICKNESS	Y	X



SWITCH FUNCTION A1  
CIRCUIT DIAGRAM



1571095-9  
SHOWN



THIS DRAWING IS A CONTROLLED DOCUMENT.		DWN M.BINNER 25FEB2002		
DIMENSIONS: mm [INCHES]		CHK D.ROHDE 16NOV05		
TOLERANCES UNLESS OTHERWISE SPECIFIED:		APVD D.ROHDE 16NOV05	NAME POWER ROCKER SWITCH, 21.2mm X 36.6mm MIN PANEL CUT-OUT SIZE SINGLE POLE, SINGLE THROW, NON-ILLUMINATED	
0 PLC ± - 1 PLC ± - 2 PLC ± - 3 PLC ± - 4 PLC ± - ANGLES ± -		PRODUCT SPEC APPLICATION SPEC	SIZE A2	
MATERIAL 1		WEIGHT -	CAGE CODE 00779	DRAWING NO 1571095
FINISH 2		SCALE 2:1		SHEET 3 OF 4
CUSTOMER DRAWING		REV C3		RESTRICTED TO -

THIS DRAWING IS UNPUBLISHED. RELEASED FOR PUBLICATION  
 © COPYRIGHT - By - ALL RIGHTS RESERVED.

LOC	DIST	REVISIONS			
P	LTR	DESCRIPTION	DATE	DWN	APVD
AD	00	SEE SHEET 1	-	-	-

**1 MATERIALS:**  
 ROCKER BUTTON, FRAME & HOUSING: NYLON 66, UL 94 V-2.  
 PLUNGER: PHENOLIC  
 SEAL: SILICONE RUBBER  
 SCREW TERMINAL, ACTIVE CONTACTOR, CONTACTOR SUPPORT: COPPER ALLOY PER ASTM B152  
 QC & SOLDER TERMINAL: COPPER ALLOY PER ASTM B036  
 SPRING: STEEL WIRE  
 CONTACTS: SILVER-TIN OXIDE

**2 FINISH:**  
 CONTACTOR SUPPORT, ACTIVE CONTACTOR: 1.01µm [.000040] MIN SILVER  
 QC TERMINAL: 1.27µm [.000050] MIN NICKEL  
 SOLDER TERMINAL: 1.27µm [.000050] MIN TIN

**3 ELECTRICAL SPECIFICATIONS:**  
**6** CURRENT AND VOLTAGE:  
 CONTACT RESISTANCE (INITIAL): <50mΩ  
 DIELECTRIC STRENGTH (INITIAL): >1000 VAC, 1 MINUTE  
 INSULATION RESISTANCE (INITIAL): >100MΩ MIN (500VDC BETWEEN OPEN CONTACTS)  
 ELECTRICAL LIFE ENDURANCE: >6000 OPERATIONS, VOLTAGE DROP: <100mV  
 TEMPERATURE RISE AT TERMINALS: <30°C, 6000 OPERATIONS  
 (AMBIENT CONDITIONS: 25±2°C AND 65±5%R.H)

**4 MECHANICAL SPECIFICATIONS:**  
 ACTUATING FORCE: 400g MIN, 1200g MAX  
 OPERATING LIFE ENDURANCE: >100,000 OPERATIONS  
 TERMINAL RETENTION FORCE: >9kg- SOLDER LUG  
 >9kg- QC TAB  
 >6.8kg- #6-32 SCREW

**5 ENVIRONMENTAL SPECIFICATIONS:**  
 AMBIENT TEMPERATURE: -20°C TO +85°C  
 DEGREE OF PROTECTION: IP66

**6** 20A 125VAC, 10A 250VAC/12A 125VAC, 3/4HP/ 10A 277VAC, 3/4HP

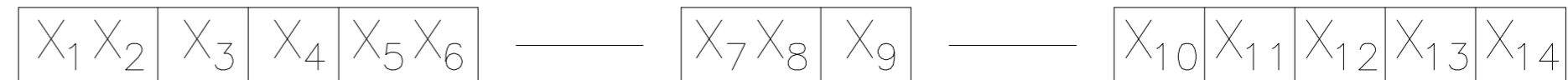
**7** COUNTRY OF ORIGIN AND TERMINAL IDENTIFICATION NUMBERS MOLDED APPROXIMATELY AS SHOWN ON THE SWITCH HOUSING.

**8** ELECTRICAL RATINGS, APPROVED AGENCY LOGOS AND THE TE CONNECTIVITY LOGO INK MARKED APPROXIMATELY AS SHOWN ON THE SWITCH HOUSING.

**9** COMPONENT RECOGNIZED TO US & CANADIAN STANDARDS, UL FILE NO. E46765.

**10** ROHS 2002/95/EC COMPLIANT

ALCOSWITCH PART NUMBER



SWITCH TYPE: X1X2 = PR - POWER ROCKER

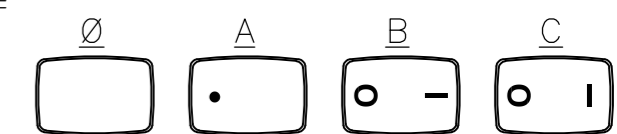
SECONDARY ROCKER COLOR: X12 = Ø - NOT APPLICABLE

PANEL CUT OUT SIZE: X3 = C - 21.2x36.6 MIN  
 [.835x1.441]

NUMBER OF POLES: X4 = S - SINGLE

SWITCH FUNCTION: X5X6 =  
A1-ON-OFF, WITH OPAQUE, SINGLE-COLOR  
 ROCKER BUTTON.

LEGEND TEXT PATTERN: X13 =



CURRENT RATING: X7X8 = 20 - **6**

TERMINAL TYPE: X9 = E - QC TAB  
L - SOLDER LUG  
S - #6-32 UNC SCREW

FRAME COLOR: X10 = B - BLACK  
W - WHITE

LEGEND TEXT COLOR: X14 = Ø - NOT APPLICABLE  
G - GREEN  
R - RED  
B - BLACK  
W - WHITE

ROCKER COLOR: X11 = B - BLACK  
G - GREEN  
R - RED  
W - WHITE  
Y - YELLOW

3	PRCSA1-20S-BB0CW	1-1571095-1
3	PRCSA1-20S-BB0BW	1-1571095-0
3	PRCSA1-20S-BB000	1571095-9
2	PRCSA1-20L-BR000	1571095-8
1	PRCSA1-20F-BR000	1571095-7
2	PRCSA1-20L-BB0CW	1571095-6
2	PRCSA1-20L-BB0BW	1571095-5
2	PRCSA1-20L-BB000	1571095-4
1	PRCSA1-20F-BB0CW	1571095-3
1	PRCSA1-20F-BB0BW	1571095-2
1	PRCSA1-20F-BB000	1571095-1
SHEET REF	ALCOSWITCH PART NUMBER	PART NUMBER

THIS DRAWING IS A CONTROLLED DOCUMENT.		DWN M.BINNER 25FEB2002	TE Connectivity	
DIMENSIONS: mm [INCHES]		CHK D.ROHDE 16NOV05	NAME D.ROHDE	
TOLERANCES UNLESS OTHERWISE SPECIFIED:		APVD D.ROHDE 16NOV05	PRODUCT SPEC	
0 PLC ± -		APPLICATION SPEC		
1 PLC ± -		WEIGHT		
2 PLC ± -		SCALE 2:1		
3 PLC ± -		SHEET 4 OF 4		
4 PLC ± -		REV C3		
ANGLES ± -		CUSTOMER DRAWING		
FINISH		SIZE CAGE CODE DRAWING NO RESTRICTED TO		
MATERIAL		A2 00779 C=1571095		
1		2		