



Chipsmall Limited consists of a professional team with an average of over 10 year of expertise in the distribution of electronic components. Based in Hongkong, we have already established firm and mutual-benefit business relationships with customers from,Europe,America and south Asia,supplying obsolete and hard-to-find components to meet their specific needs.

With the principle of “Quality Parts,Customers Priority,Honest Operation,and Considerate Service”,our business mainly focus on the distribution of electronic components. Line cards we deal with include Microchip,ALPS,ROHM,Xilinx,Pulse,ON,Everlight and Freescale. Main products comprise IC,Modules,Potentiometer,IC Socket,Relay,Connector.Our parts cover such applications as commercial,industrial, and automotives areas.

We are looking forward to setting up business relationship with you and hope to provide you with the best service and solution. Let us make a better world for our industry!



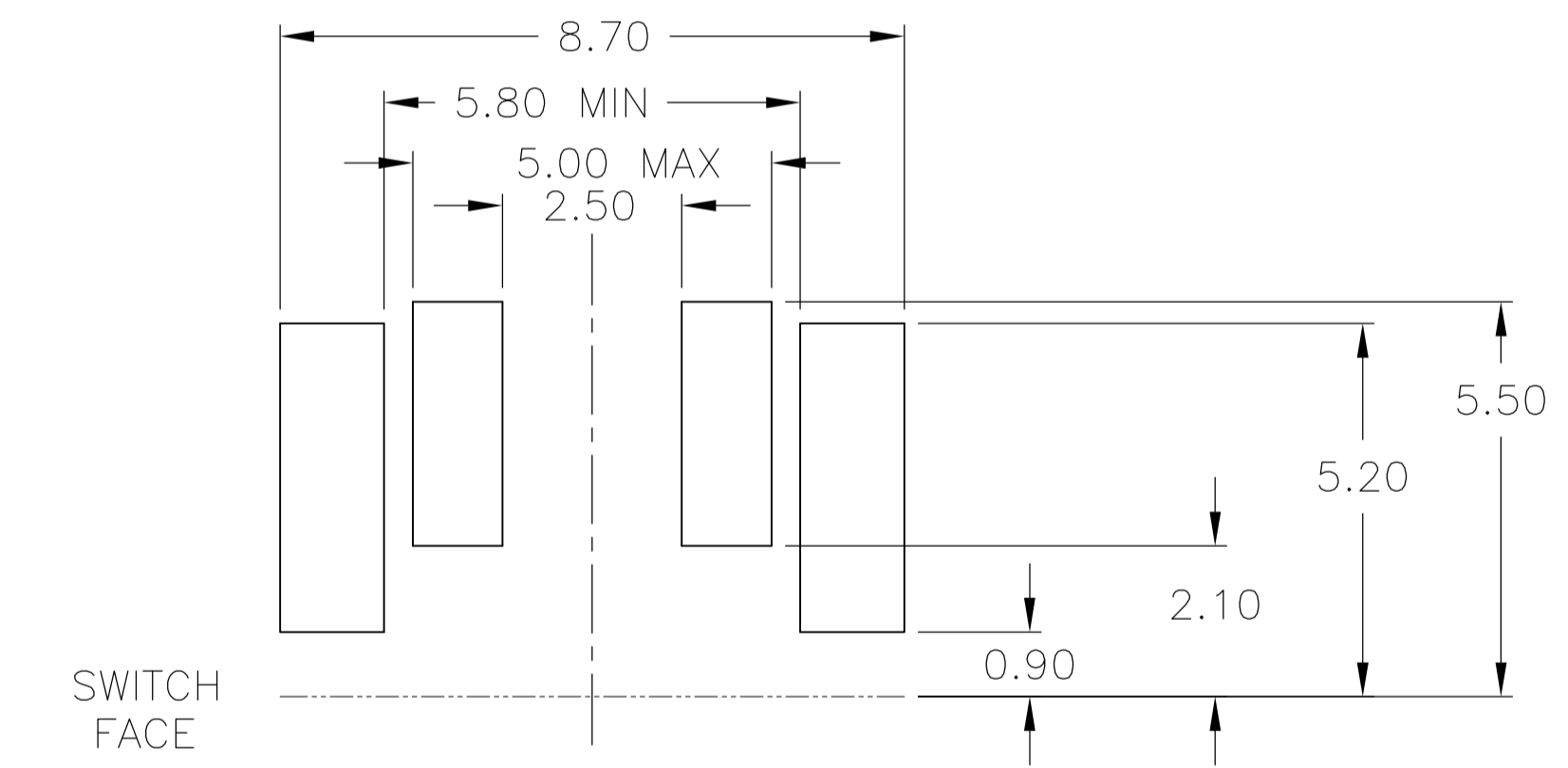
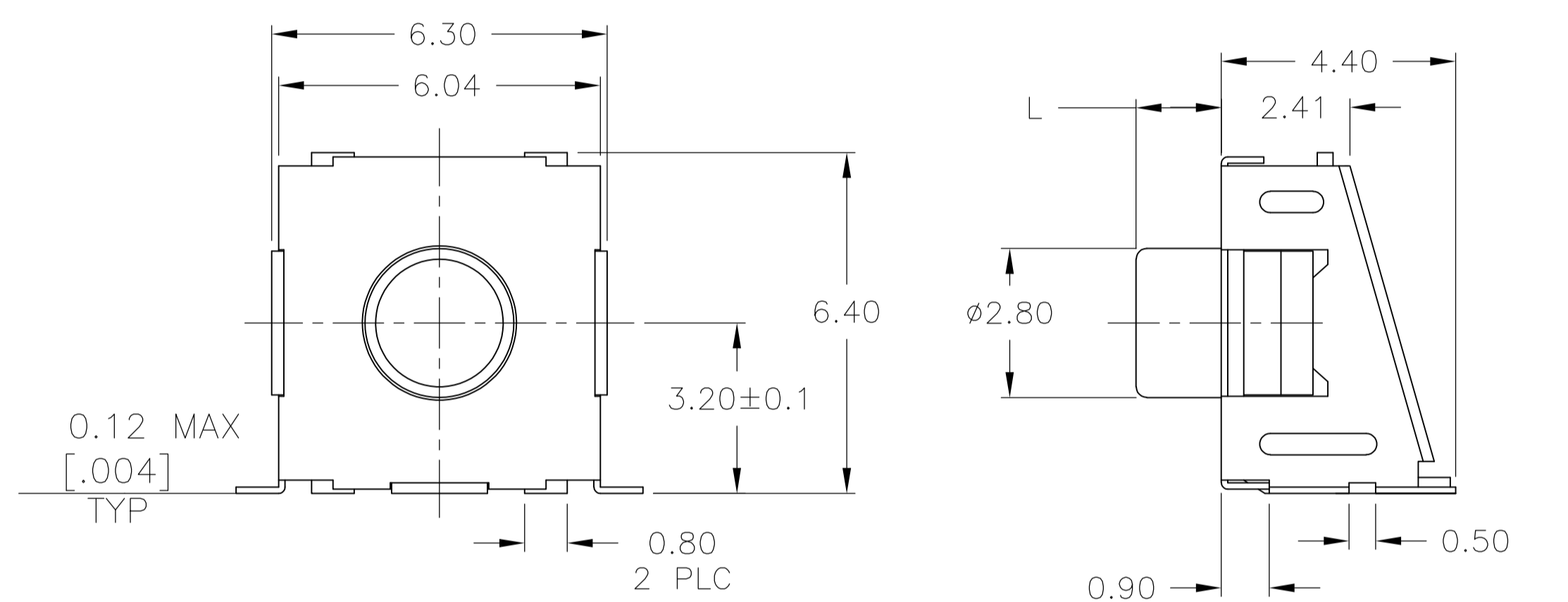
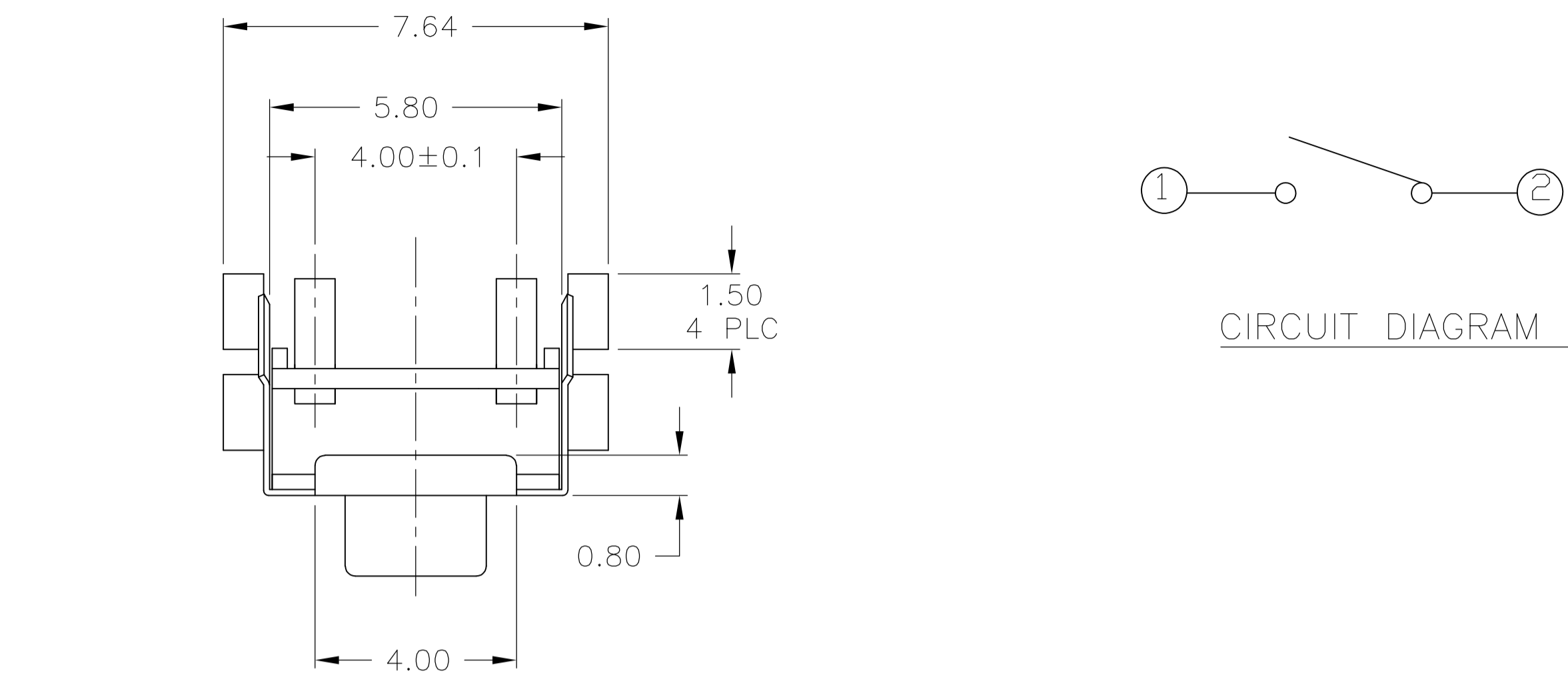
Contact us

Tel: +86-755-8981 8866 Fax: +86-755-8427 6832

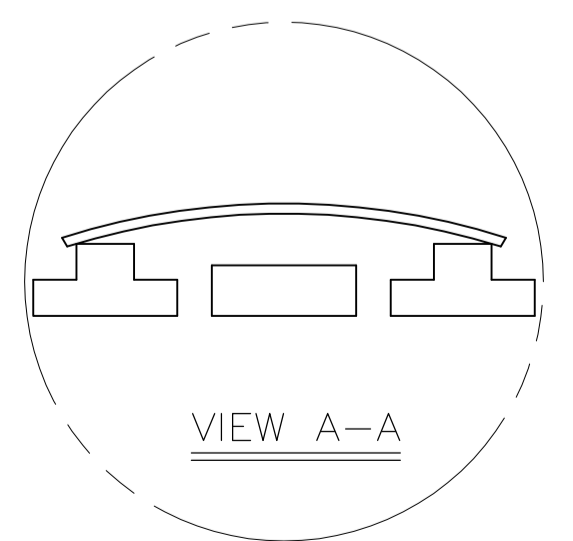
Email & Skype: info@chipsmall.com Web: www.chipsmall.com

Address: A1208, Overseas Decoration Building, #122 Zhenhua RD., Futian, Shenzhen, China





P.C.B MOUNTING SOLDER LAND DIMENSIONS



SPECIFICATIONS

MATERIALS

CASE: THERMOPLASTIC, UL94V-0, IVORY
 ACTUATOR: SILICON RUBBER, COLOR-BLACK
 CONTACT: STAINLESS STEEL, PLATING-SILVER
 TERMINAL: BRASS, SILVER/NICKEL
 BRACKET: NICKEL SILVER

ELECTRICAL

MAX CONTACT RATING: 50MILLIAMPS@24V DC
 MIN CONTACT RATING: 10MICROAMPS@1V DC
 INITIAL CONTACT RESISTANCE: 100 MILLIOHMS MAX, PER EIA RS-448, METHOD 1
 INSULATION RESISTANCE: 100 MEGOHMS MIN @ 100VDC PER EIA RS-186-13E
 DIELECTRIC STRENGTH: 500 VAC 50/60 HZ FOR 1 MINUTE
 CONTACT BOUNCE: 10 MILLISECOND MAX PER EIA-448-18, METHOD 15

MECHANICAL

ACTUATOR OPERATING FORCE: SEE TABLE
 ACTUATOR TRAVEL: 0.35 ± 0.2mm

DURABILITY

UP TO 1,000,000 CYCLES, AT RATED LOAD PER EIA-RS-448, METHOD 8
 FINAL CONTACT RESISTANCE: 200 MILLIOHMS MAX
 CONTACT BOUNCE: 20 MILLISECONDS MAX
 ACTUATOR FORCE: WITHIN ±30% OF INITIAL VALUE

ENVIRONMENTAL

OPERATING TEMPERATURE RANGE: -35°C to +85°C, 45% - 85% RH
 STORAGE TEMPERATURE RANGE: -35°C to +85°C
 HUMIDITY: 96 HOURS PER EIA-186-1E
 INSULATION RESISTANCE: 10 MEGOHMS MIN
 DIELECTRIC STRENGTH: 500VAC 50/60HZ FOR 1 MINUTE
 CONTACT RESISTANCE: 100 MILLIOHMS MAX
 DRY HEAT TEST: 85°C FOR 96 HOURS PER IEC 60068-2-2, TEST B;
 NO CHANGE IN INITIAL ELECTRICAL AND MECHANICAL CHARACTERISTICS
 COLD TEST: -35°C FOR 96 HOURS PER IEC 60068-2-1, TEST A;
 NO CHANGE IN INITIAL ELECTRICAL AND MECHANICAL CHARACTERISTICS
 THERMAL CYCLING: 5 CYCLES, -35°C to +85°C
 HUMIDITY-TEMPERATURE CYCLING, EIA 364-31B, METHOD III
 CONTACT RESISTANCE 100 MILLIOHMS MAX
 RESISTANCE TO SOLDERING HEAT PER 109-201, COND B

SEALING PER IP67 - CONTACT RESISTANCE 100 MILLIOHMS MAX AND MIL-STD-202F, METHOD 112 (TEST CONDITION D, EXCEPT WITH FLUID TEMPERATURE OF 85°C ± 5°C AND IMMERSED FOR 60 SECONDS)

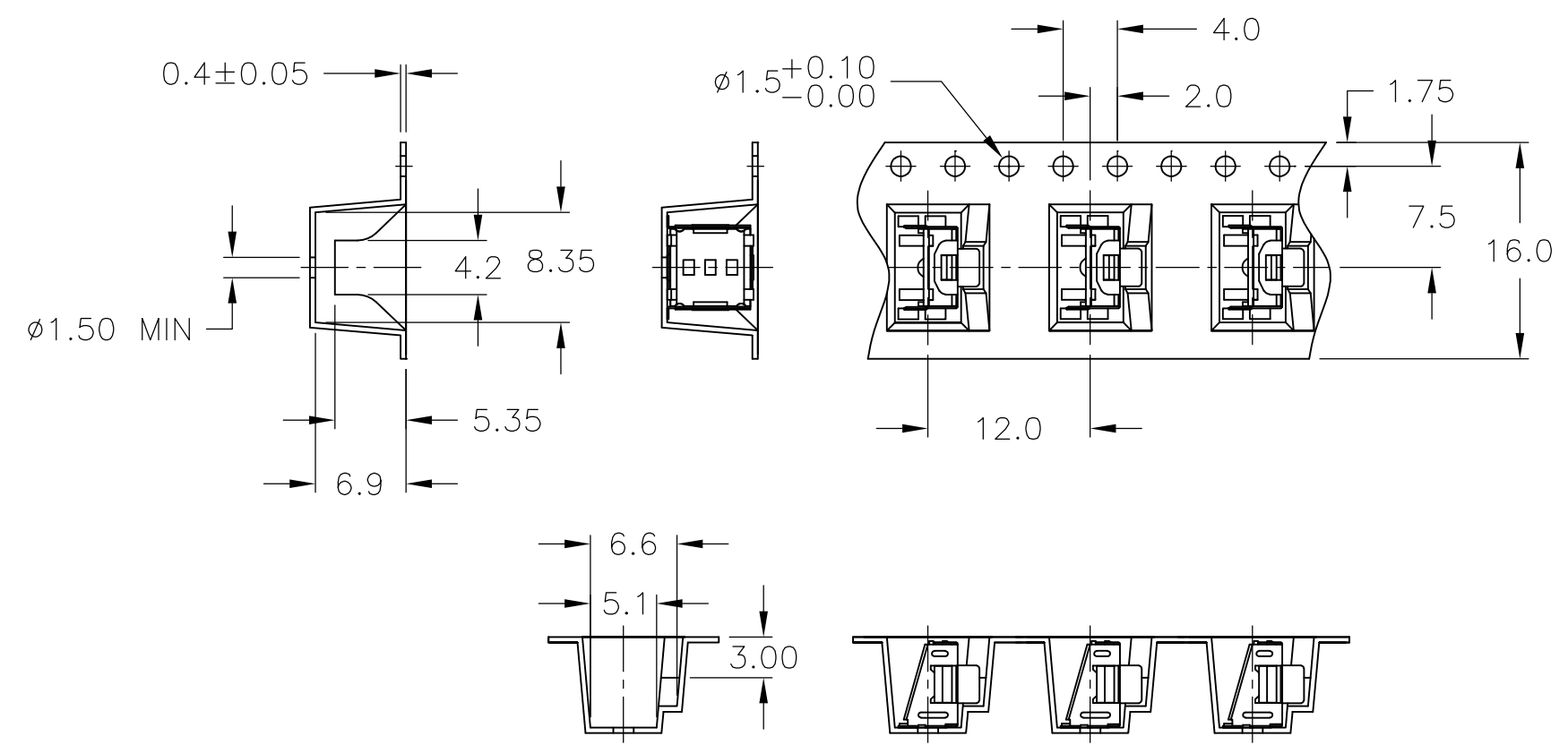
SOLDERABILITY: PER EIA-364-52, CLASS 1, CATEGORY 2

- ① PARTS TO BE PACKAGED ON TAPE AND REEL PER EIA-481
- 2 ALL MATERIALS AND FINISHES SHALL COMPLY WITH EU DIRECTIVE 2002/95/EC OF 27JAN2003 (ROHS)
- ③ OBSOLETE PARTS: OBSOLETE CIS STREAMLINING PER D.RENAUD/D.SINISI

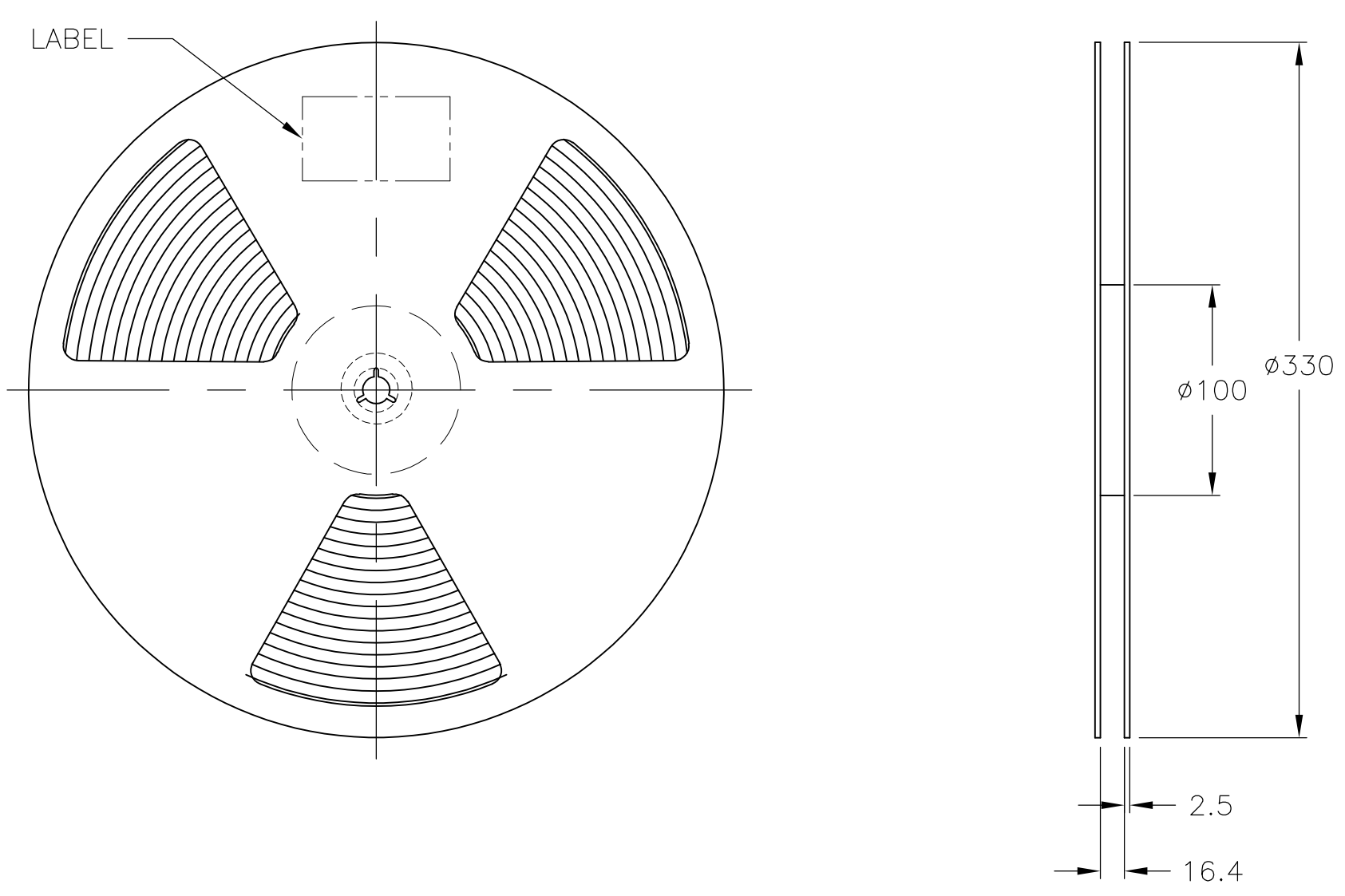
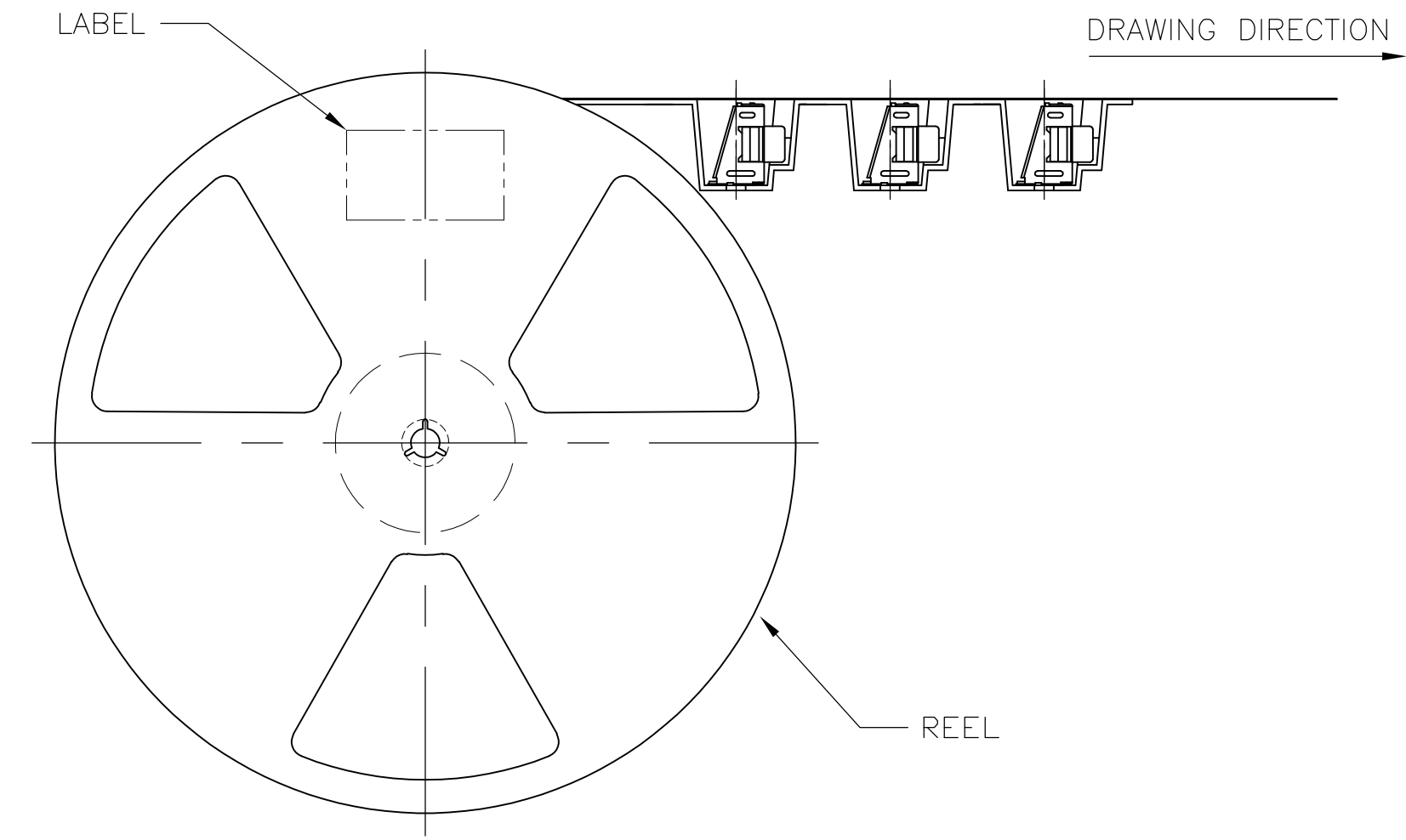
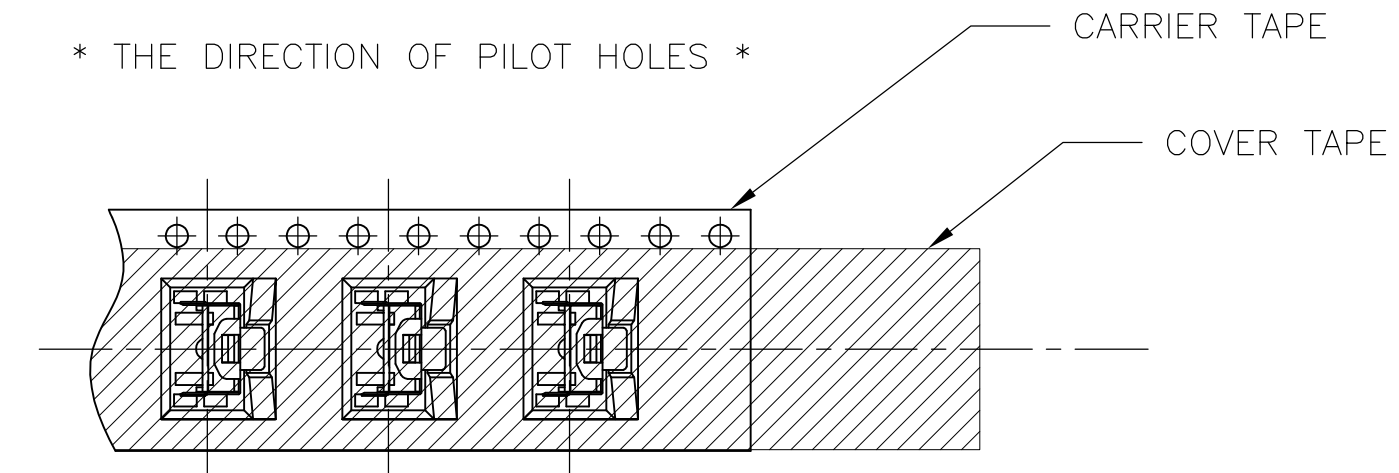
①	OBSOLETE		16mm	T&R	260±100gf	3.96mm	1571407-4	
③	OBSOLETE	N/A	N/A	BULK	260±100qf	3.96mm	1571407-3	
①			16mm	T&R	260±100qf	1.60mm	1571407-2	
			N/A	N/A	BULK	260±100gf	1.60mm	1571407-1
			Pitch	Tape Width	Packaging	Operating force	Dim L	TE P/N

THIS DRAWING IS A CONTROLLED DOCUMENT.		DIN M. BINNER		09DEC02		TE Connectivity	
DIMENSIONS: mm		TOLERANCES UNLESS OTHERWISE SPECIFIED:		APVD M. SARVER		NAME	
0 PLC ± -		1 PLC ± -		M. SARVER		PRODUCT SPEC	
2 PLC ± 0.30[.012]		3 PLC ± -		APPLICATION SPEC		SIZE	
4 PLC ± -		ANGLES ± -		WEIGHT		CAGE CODE	
MATERIAL		FINISH		A1 00779		DRAWING NO	
				1571407		RESTRICTED TO	
				CUSTOMER DRAWING		SCALE 10:1 SHEET 1 OF 2 REV H4	

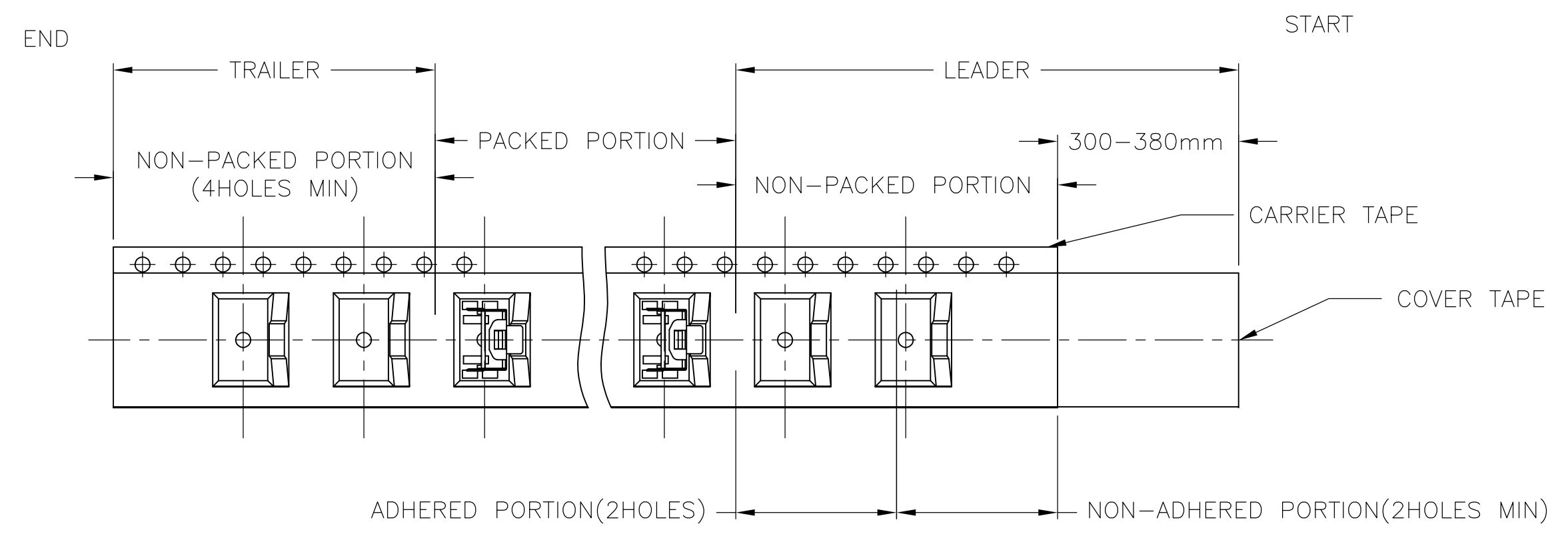
* THE DIMENSION OF CARRIER TAPE, COVER TAPE AND REEL *



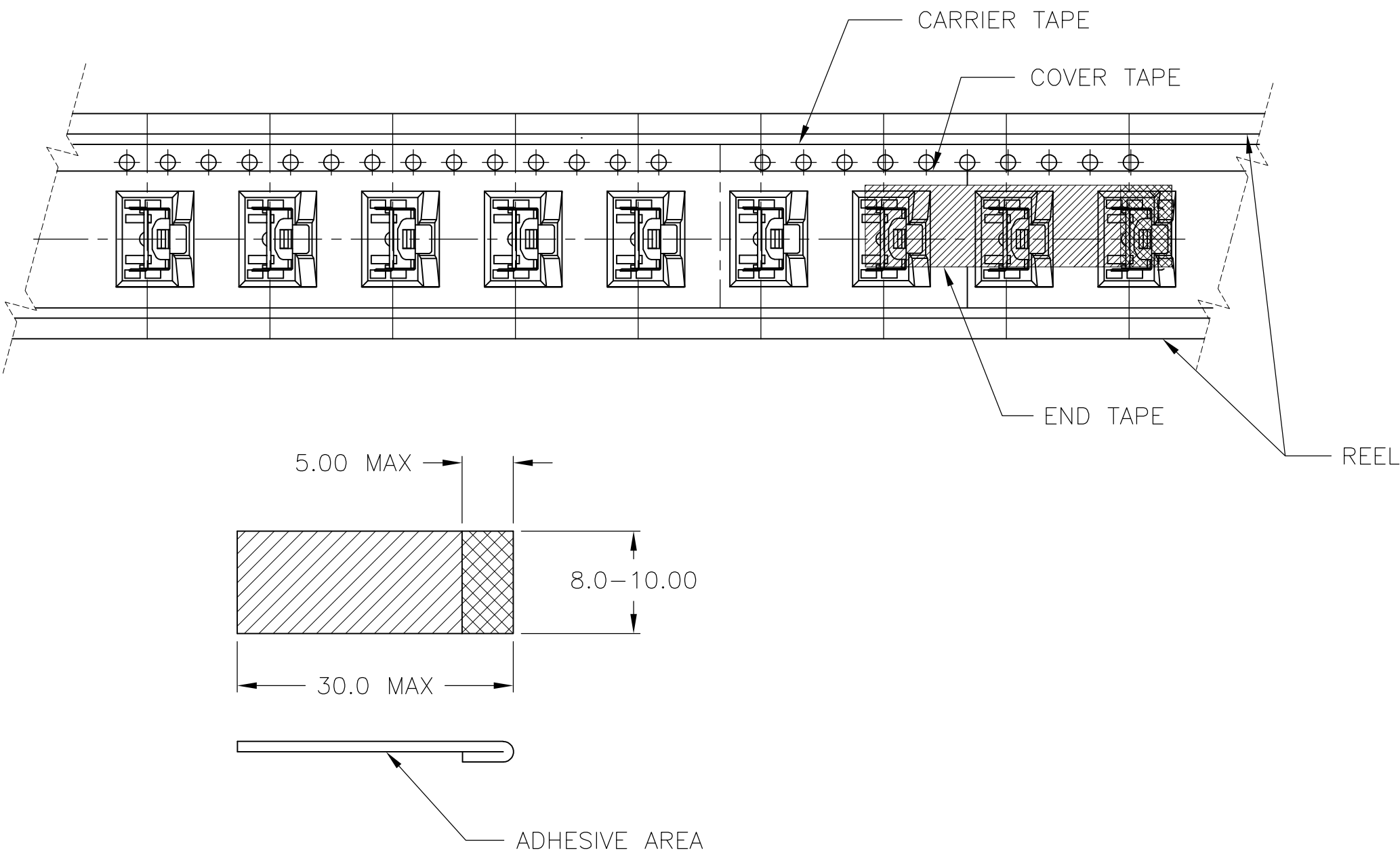
* THE DIRECTION OF PILOT HOLES *



* THE SPECIFICATION FOR PACKAGING *



* END TAPE *



THIS DRAWING IS A CONTROLLED DOCUMENT.		DWN	M. BINNER	090E02	
DIMENSIONS: mm		CHK	M. SARVER		
TOLERANCES UNLESS OTHERWISE SPECIFIED:		APPD	M. SARVER		SWITCH ASSEMBLY, TACTILE, RIGHT ANGLE, SMT, SEALED
0. PLC ± - 1. PLC ± - 2. PLC ± 0.30(012) 3. PLC ± - 4. PLC ± - ANGLES ± - FINISH -		NAME	M. SARVER		
MATERIAL		PRODUCT SPEC			RESTRICTED TO
		APPLICATION SPEC			SIZE
		WEIGHT			CAGE CODE
		CUSTOMER DRAWING			DRAWING NO
					1571407
					SCALE
					2:1
					SHEET
					2 OF 2
					REV
					H4