



Chipsmall Limited consists of a professional team with an average of over 10 year of expertise in the distribution of electronic components. Based in Hongkong, we have already established firm and mutual-benefit business relationships with customers from,Europe,America and south Asia,supplying obsolete and hard-to-find components to meet their specific needs.

With the principle of “Quality Parts,Customers Priority,Honest Operation,and Considerate Service”,our business mainly focus on the distribution of electronic components. Line cards we deal with include Microchip,ALPS,ROHM,Xilinx,Pulse,ON,Everlight and Freescale. Main products comprise IC,Modules,Potentiometer,IC Socket,Relay,Connector.Our parts cover such applications as commercial,industrial, and automotives areas.

We are looking forward to setting up business relationship with you and hope to provide you with the best service and solution. Let us make a better world for our industry!



Contact us

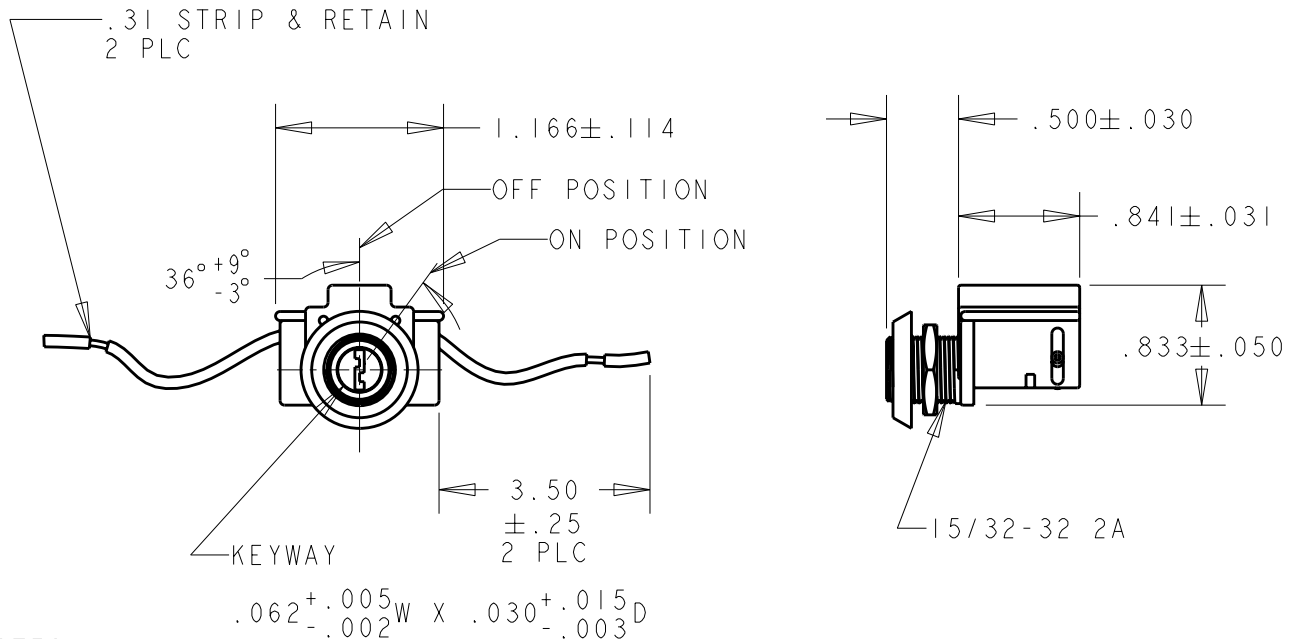
Tel: +86-755-8981 8866 Fax: +86-755-8427 6832

Email & Skype: info@chipsmall.com Web: www.chipsmall.com

Address: A1208, Overseas Decoration Building, #122 Zhenhua RD., Futian, Shenzhen, China



LOC	DIST	REVISIONS					
		P	LTR	DESCRIPTION	DATE	DWN	APVD
-	-		AI	REVISED PER ECO-10-010249	15MAY2010	HMR	NE



NOTES:

- KEY REMOVABLE BOTH POSITIONS.
- KEYSWITCH SUPPLIED WITH 1 HEX NUT, 1 DRESS NUT AND 1 KEY.
- WIRE: 18 AWG BOND WIRE, TINNED, PVC INSULATED, W/ 80°C AND 300 V RATING (UL 1007).
CONTACT MATERIAL: MOVABLE-BRONZE, SILVER PLATED;
STATIONARY-BRASS, SILVER PLATED.
CIRCUIT: SPST
ACTION: OFF-ON
- ELECTRICAL SPECIFICATIONS:
KEYSWITCH RATING: 6A, 125V AC; 3A, 250V AC
DIELECTRIC VOLTAGE: 1000V RMS MIN.
INSULATION RESISTANCE: 100 MΩ MIN.
CONTACT RESISTANCE: 100 mΩ MAX.
CYCLE LIFE: 6000 OPERATIONS MIN.
TEMPERATURE RISE: <30°C AT 6000 OPERATIONS
- ENVIRONMENTAL SPECIFICATIONS:
OPERATING TEMP: -18°C TO 65°C

1571488-1 PART NUMBER

THIS DRAWING IS UNPUBLISHED. BY TYCO ELECTRONICS CORPORATION. ALL RIGHTS RESERVED. COPYRIGHT 20

DIMENSIONS: INCHES	DWN J.C. YOSLER	11NOV2003	MATERIAL	-	FINISH	-
	CHK J.C. YOSLER	11NOV2003	Tyco Electronics Harrisburg, PA 17105-3608			
TOLERANCES UNLESS OTHERWISE SPECIFIED:	APVD M. WILBOURN	07NOV2006				
0 PLC ±	PRODUCT SPEC	-	NAME KEYSWITCH SPST			
1 PLC ±.03	APPLICATION SPEC	-	SIZE	CAGE CODE	DRAWING NO	RESTRICTED TO
2 PLC ±.015			A 4	00779	C-1571488	-
3 PLC ±.010			CUSTOMER DRAWING			
4 PLC ±	WEIGHT	-	SCALE	3:4	SHEET 1 OF 1	REV A1
ANGLES ±1/2						