



Chipsmall Limited consists of a professional team with an average of over 10 year of expertise in the distribution of electronic components. Based in Hongkong, we have already established firm and mutual-benefit business relationships with customers from,Europe,America and south Asia,supplying obsolete and hard-to-find components to meet their specific needs.

With the principle of “Quality Parts,Customers Priority,Honest Operation,and Considerate Service”,our business mainly focus on the distribution of electronic components. Line cards we deal with include Microchip,ALPS,ROHM,Xilinx,Pulse,ON,Everlight and Freescale. Main products comprise IC,Modules,Potentiometer,IC Socket,Relay,Connector.Our parts cover such applications as commercial,industrial, and automotives areas.

We are looking forward to setting up business relationship with you and hope to provide you with the best service and solution. Let us make a better world for our industry!



Contact us

Tel: +86-755-8981 8866 Fax: +86-755-8427 6832

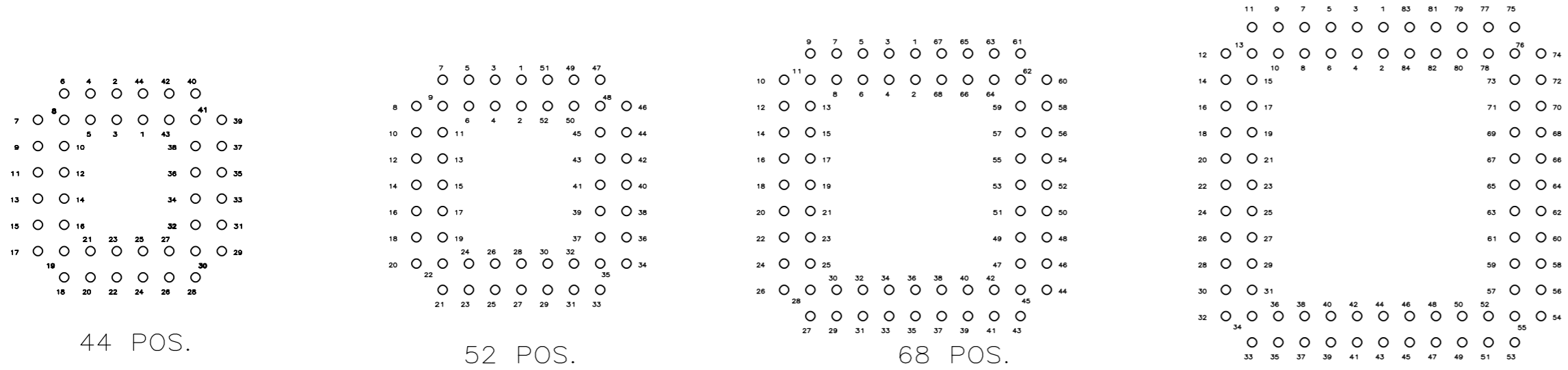
Email & Skype: info@chipsmall.com Web: www.chipsmall.com

Address: A1208, Overseas Decoration Building, #122 Zhenhua RD., Futian, Shenzhen, China



THIS DRAWING IS UNPUBLISHED. RELEASED FOR PUBLICATION
 © COPYRIGHT - By - ALL RIGHTS RESERVED.

LOC	DIST	REVISIONS			
P	LTR	DESCRIPTION	DATE	DWN	APVD
AD	00	D1	REVISED PER ECO-11-004587	11MAR11	RK HMR

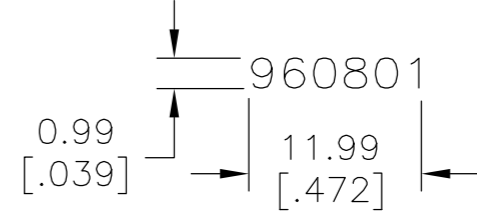


RECOMMENDED HOLE LAYOUT
 TOLERANCE: ±0.05[.002] UNLESS OTHERWISE NOTED

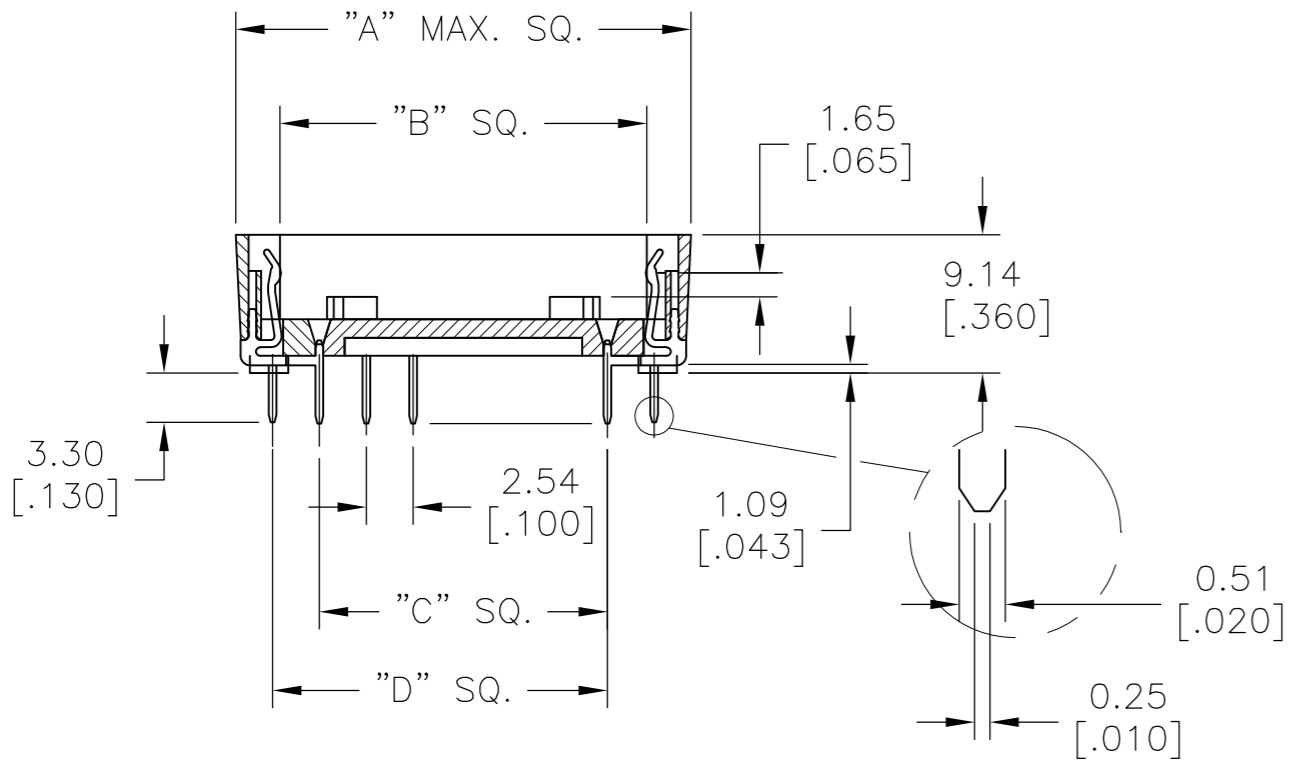
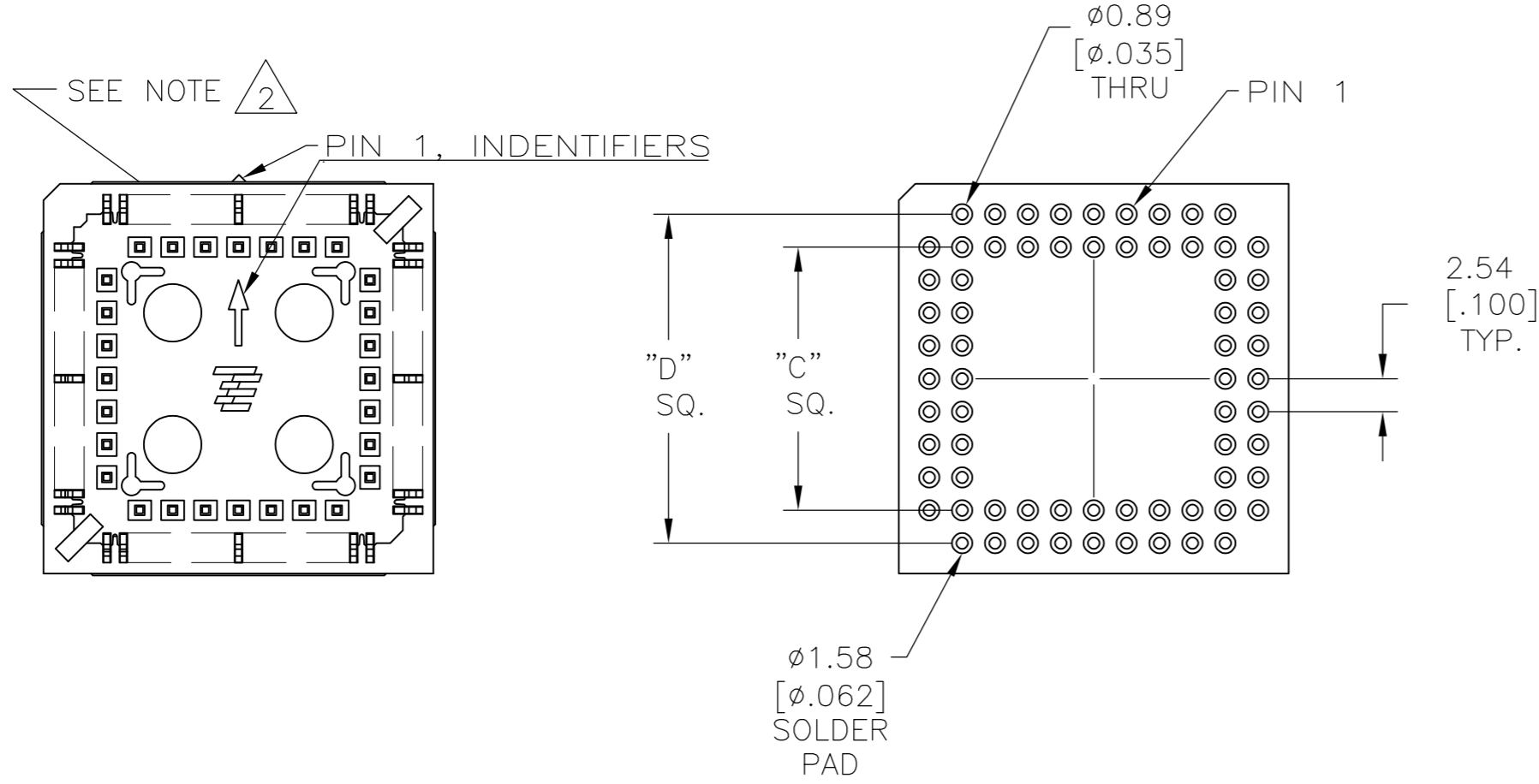
NOTES:

1 MATERIALS:
 CONTACT: COPPER ALLOY, 0.004572[.000180] MIN TIN PLATE
 OVER 0.00127[.000050] MIN NICKEL.
 INSULATOR: PPS, 40% GLASS FILLED, UL 94V-0

2 DATE CODE (PER BELOW) TO BE LASER CODED
 AND CENTERED ON THIS SURFACE.



3. UL RECOGNITION E320916.



PART NO.	POS.	DIM. "A"	DIM. "B"	DIM. "C"	DIM. "D"
1571541-1	44	22.61 [.890]	16.76 [.660]	12.70 [.500]	17.78 [.700]
1571541-2	52	25.15 [.990]	19.30 [.760]	15.24 [.600]	20.32 [.800]
1571541-3	68	30.23 [1.190]	24.38 [.960]	20.32 [.800]	25.40 [1.000]
1571541-4	84	35.31 [1.390]	29.46 [1.160]	25.40 [1.000]	30.48 [1.200]

THIS DRAWING IS A CONTROLLED DOCUMENT.		DWN D. MURREN 26AUG2003	TE Connectivity	
DIMENSIONS: mm [INCHES]		CHK K. WRIGHT 24APR03		
TOLERANCES UNLESS OTHERWISE SPECIFIED:		APVD K. WRIGHT 24APR03	NAME OUTLINE DRAWING PLCC SOCKET	
0 PLC ± - 1 PLC ± 1 2 PLC ± 0.25 [.010] 3 PLC ± - 4 PLC ± - ANGLES ± 1°		PRODUCT SPEC 108-38000	SIZE A2	CAGE CODE 00779
MATERIAL		FINISH	DRAWING NO C=1571541	RESTRICTED TO -
1		1	SCALE 2:1	SHEET 1 OF 1
CUSTOMER DRAWING		WEIGHT	REV D1	