



Chipsmall Limited consists of a professional team with an average of over 10 year of expertise in the distribution of electronic components. Based in Hongkong, we have already established firm and mutual-benefit business relationships with customers from,Europe,America and south Asia,supplying obsolete and hard-to-find components to meet their specific needs.

With the principle of “Quality Parts,Customers Priority,Honest Operation,and Considerate Service”,our business mainly focus on the distribution of electronic components. Line cards we deal with include Microchip,ALPS,ROHM,Xilinx,Pulse,ON,Everlight and Freescale. Main products comprise IC,Modules,Potentiometer,IC Socket,Relay,Connector.Our parts cover such applications as commercial,industrial, and automotives areas.

We are looking forward to setting up business relationship with you and hope to provide you with the best service and solution. Let us make a better world for our industry!



Contact us

Tel: +86-755-8981 8866 Fax: +86-755-8427 6832

Email & Skype: info@chipsmall.com Web: www.chipsmall.com

Address: A1208, Overseas Decoration Building, #122 Zhenhua RD., Futian, Shenzhen, China



LOC		DIST		REVISIONS			
AD	00	REV	DATE	BY	CHK	APP	REV
A	EC 0G3C 0868 04		09MAY05	BSV	KW		
A1	REVISED PER ECO-09-024606		27OCT09	KK	AEG		

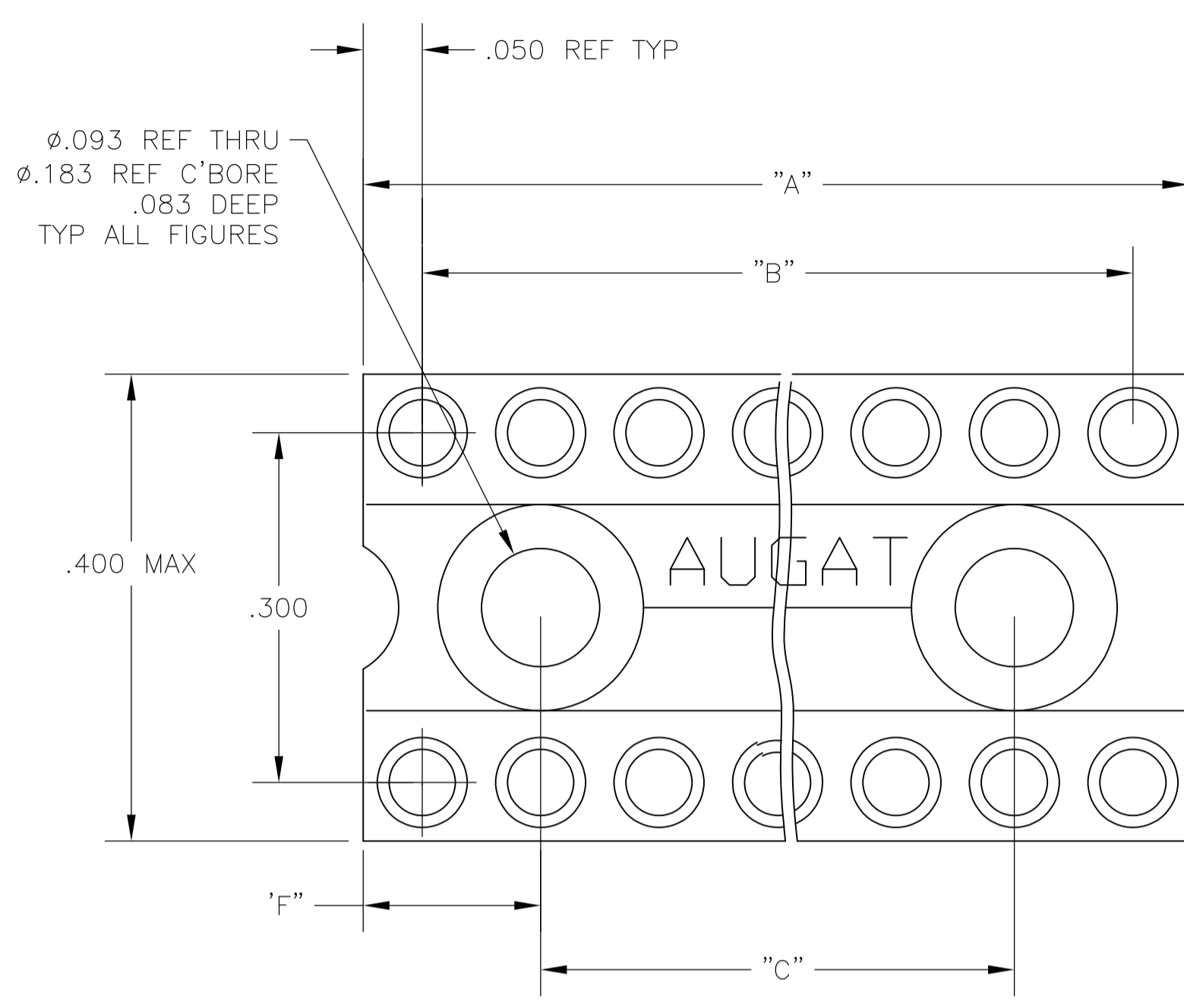


FIG. 1

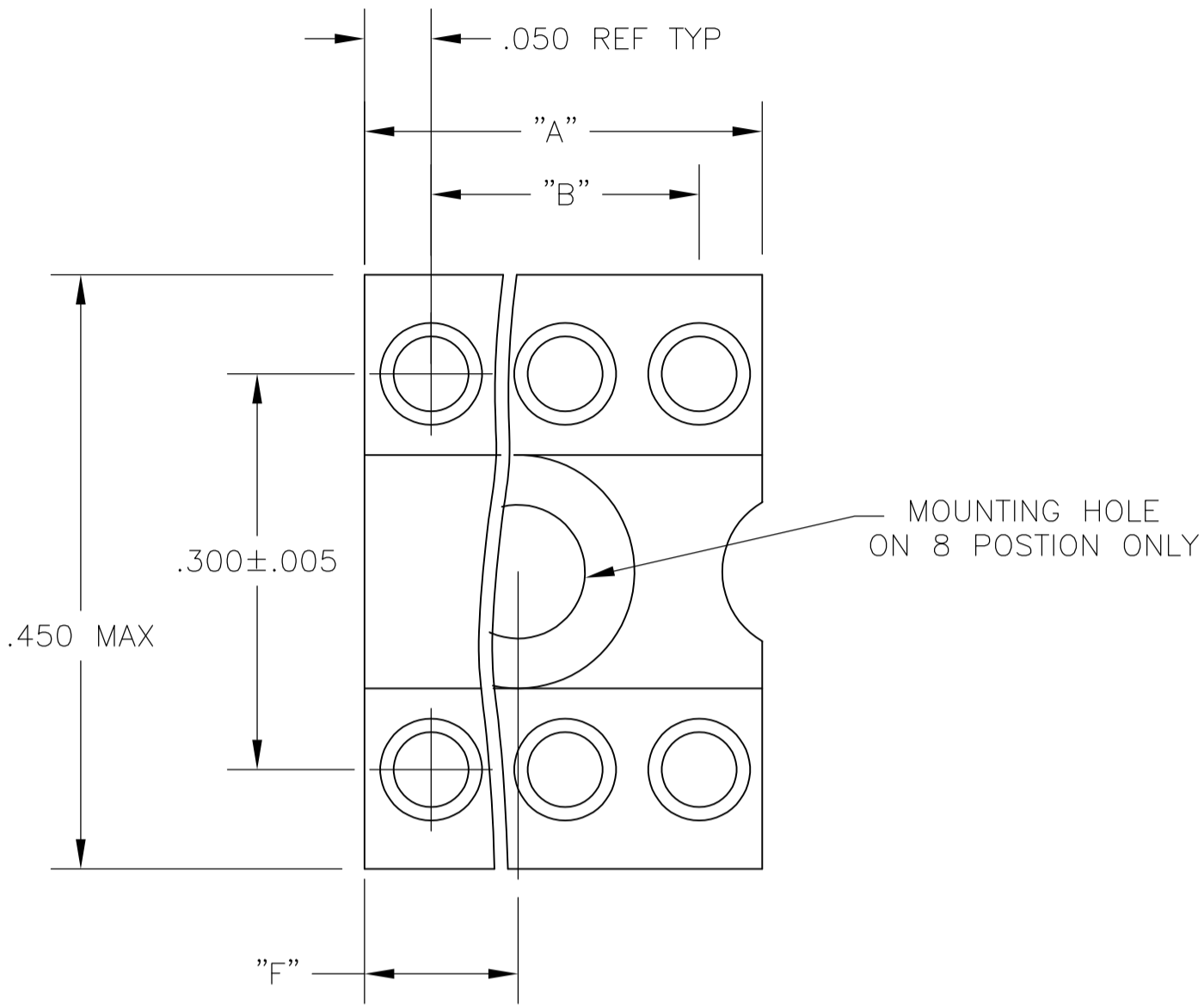


FIG. 2

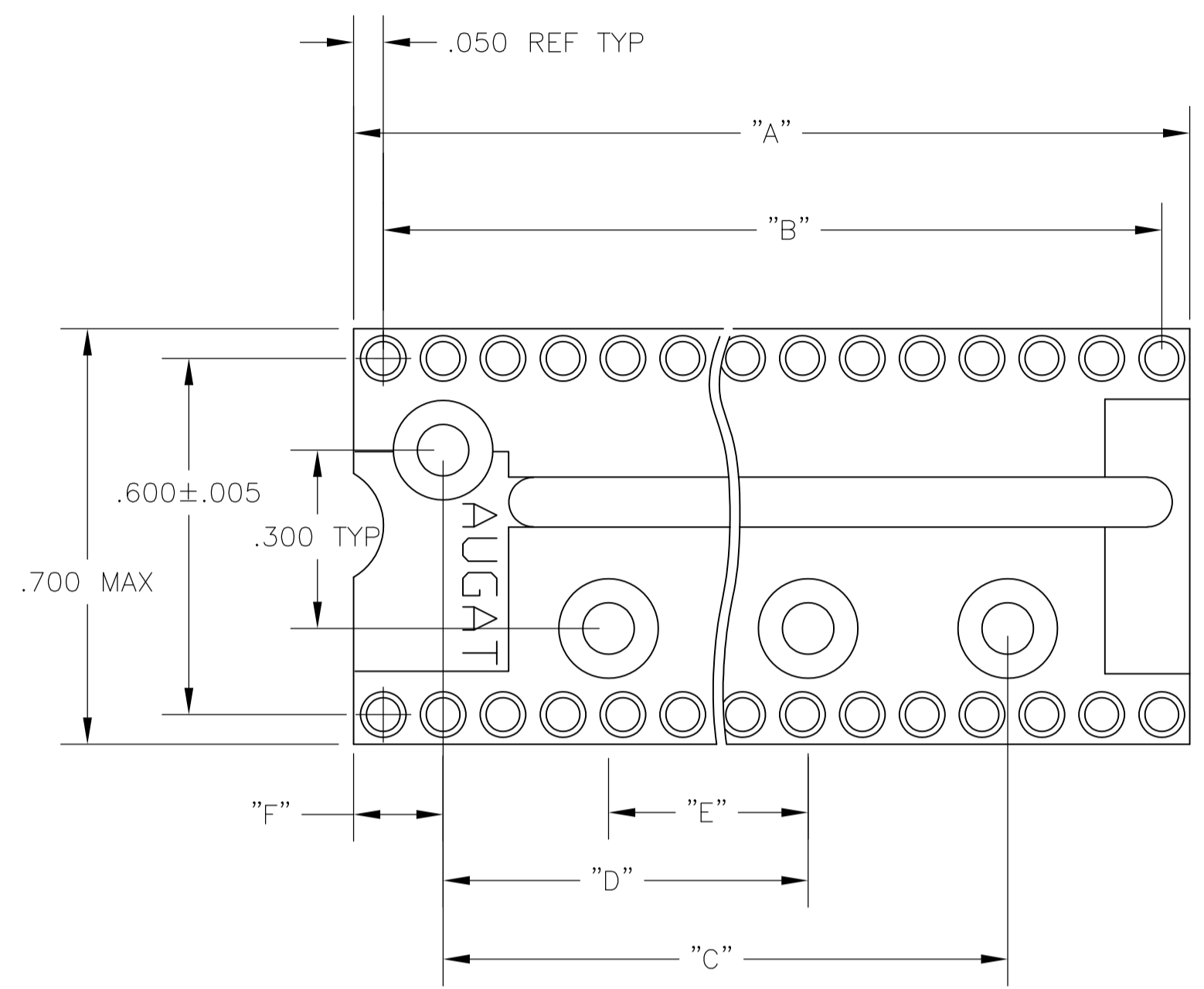


FIG. 3

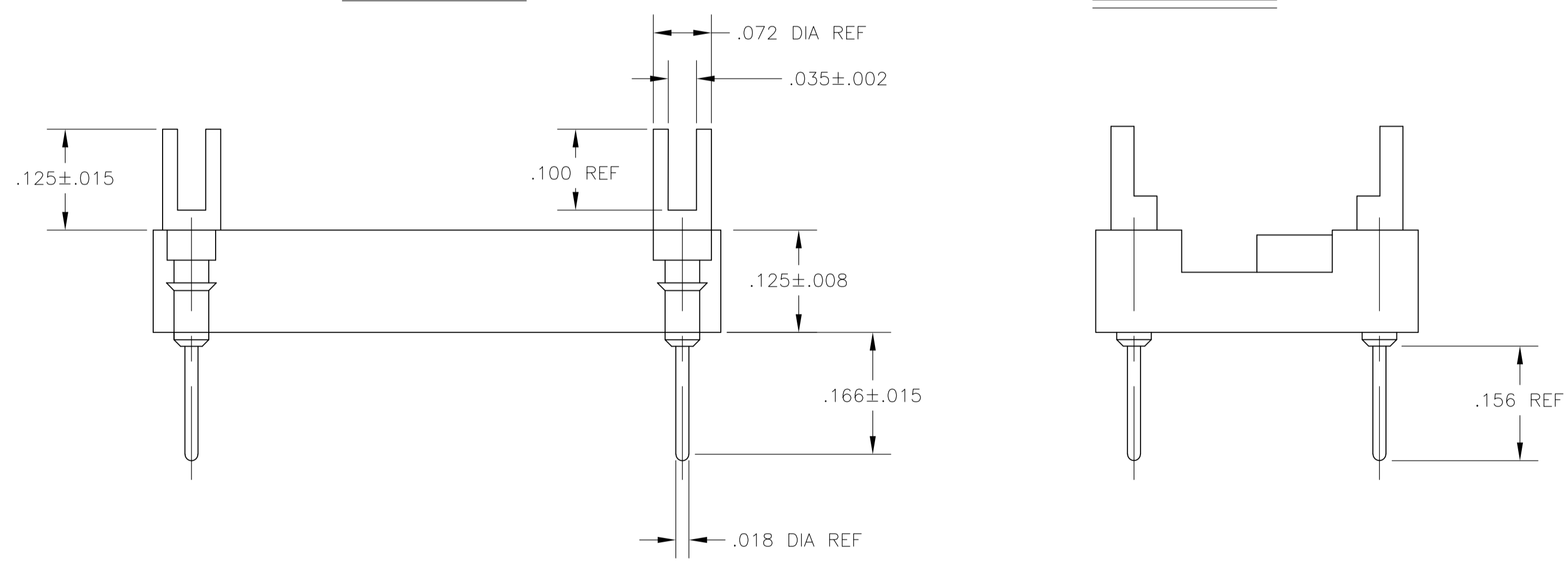
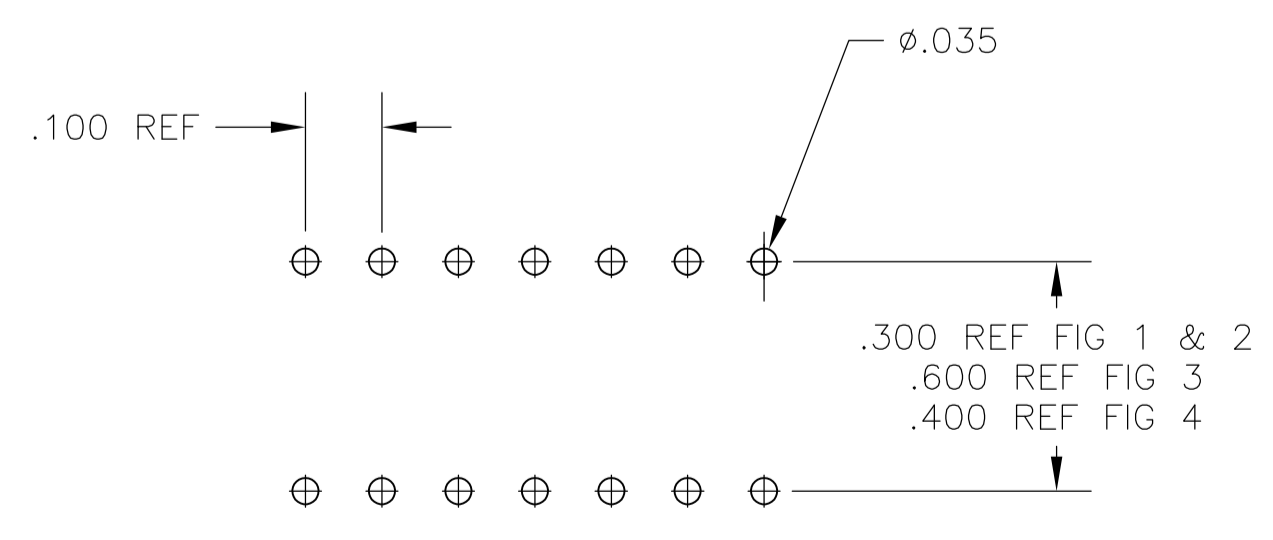
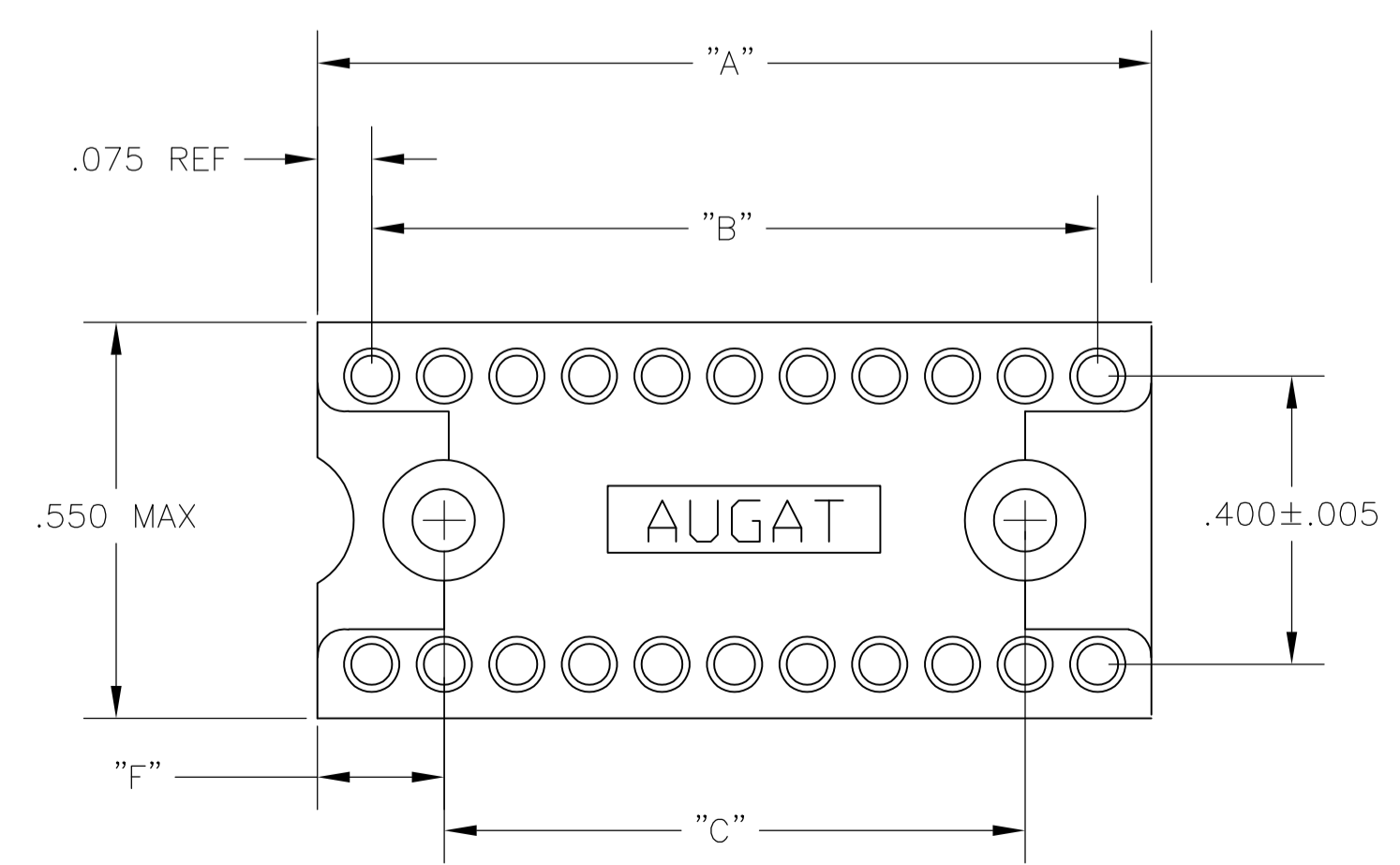


FIG. 4



P.C.B HOLE LAYOUT
TOLERANCE ±.003



- INSULATOR MATERIAL - THERMOPLASTIC POLYESTER, PCT, BLK, UL94 V-0.
- CONTACT PLATING - .000180-.000340 THK TIN (LEAD FREE) OVER .000050-.000180 THK COPPER.
- OBsolete PARTS: OBSOLETE CIS STREAMLINING PER D.RENAUD/D.SINISI

OBSOLETE	3	.150	.500	.900	1.500	1.900	2.000	40	1-1571549-1
	3	.150	.500	.900	1.500	1.700	1.800	36	1-1571549-0
	3	.150	.500	.900	-	1.500	1.600	32	1571549-9
	3	.150	.500	.900	-	1.300	1.400	28	1571549-8
OBSOLETE	3	.150	.500	.900	-	1.100	1.200	24	1571549-7
	4	.175	-	-	.800	1.000	1.150	22	1571549-6
OBSOLETE	1	.250	-	-	.500	.900	1.000	20	1571549-5
	1	.150	-	-	.600	.800	.900	18	1571549-4
OBSOLETE	1	.150	-	-	.500	.700	.800	16	1571549-3
	1	.150	-	-	.400	.600	.700	14	1571549-2
OBSOLETE	2	.200	-	-	-	.300	.400	8	1571549-1
FIG	"F"	"E"	"D"	"C"	"B"	"A" MAX	NO. OF POSN	PART NO.	

THIS DRAWING IS A CONTROLLED DOCUMENT.

DIMENSIONS: INCHES	TOLERANCES UNLESS OTHERWISE SPECIFIED:	0. PLC ± -	1. PLC ± -	2. PLC ± -	3. PLC ± -	4. PLC ± -	ANGLES ± -
MATERIAL	FINISH	WEIGHT	SIZE	CAGE CODE	DRAWING NO.	RESTRICTED TO	
			A1	00779	1571549		

THIS DRAWING IS A CONTROLLED DOCUMENT. 30SEPT03
 T. KRAYBILL
 K. WRIGHT
 K. WRIGHT
 Tyco Electronics Corporation
 Harrisburg, Pa 17105-3608
 NAME: DIP ADAPTER, FORK TOP PIN, LEAD FREE (REF AUGAT 600 SERIES ADAPTER)
 APPLICATION SPEC
 CUSTOMER DRAWING SCALE 8:1 SHEET 1 OF 1 REV A1