



Chipsmall Limited consists of a professional team with an average of over 10 year of expertise in the distribution of electronic components. Based in Hongkong, we have already established firm and mutual-benefit business relationships with customers from,Europe,America and south Asia,supplying obsolete and hard-to-find components to meet their specific needs.

With the principle of “Quality Parts,Customers Priority,Honest Operation,and Considerate Service”,our business mainly focus on the distribution of electronic components. Line cards we deal with include Microchip,ALPS,ROHM,Xilinx,Pulse,ON,Everlight and Freescale. Main products comprise IC,Modules,Potentiometer,IC Socket,Relay,Connector.Our parts cover such applications as commercial,industrial, and automotives areas.

We are looking forward to setting up business relationship with you and hope to provide you with the best service and solution. Let us make a better world for our industry!



Contact us

Tel: +86-755-8981 8866 Fax: +86-755-8427 6832

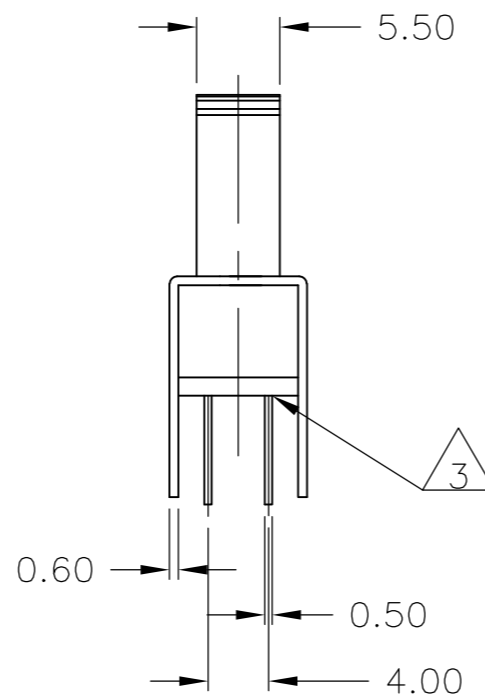
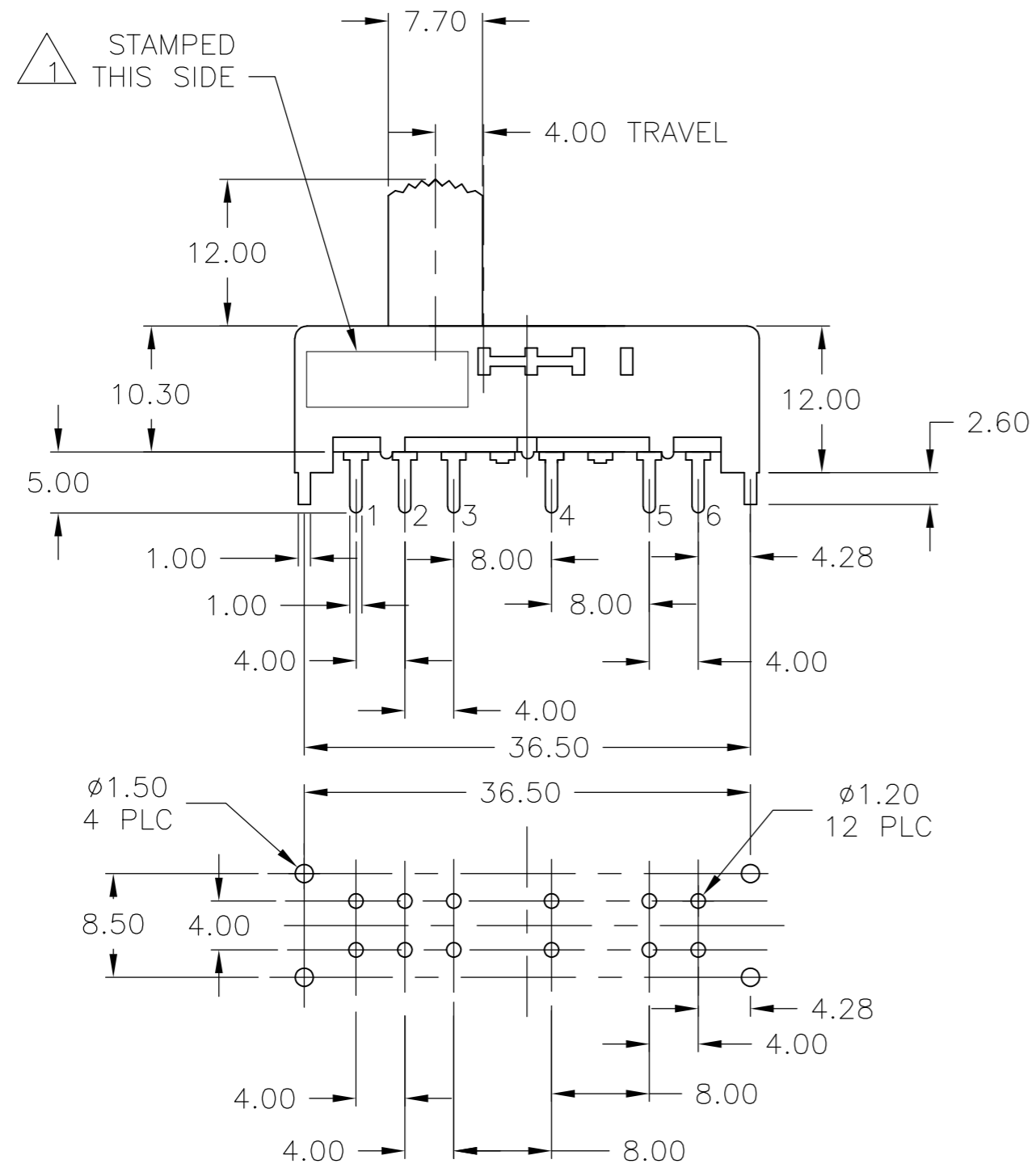
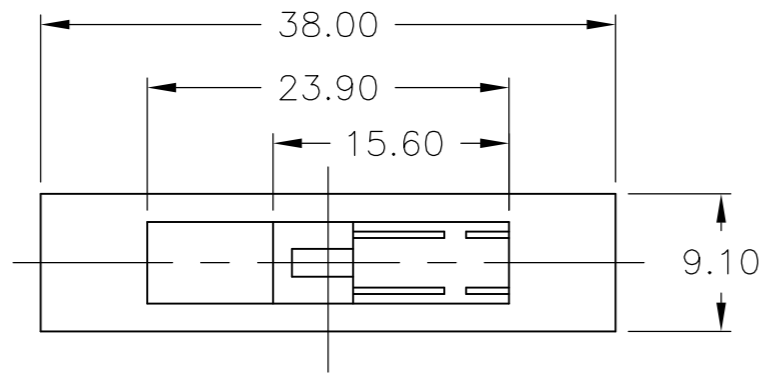
Email & Skype: info@chipsmall.com Web: www.chipsmall.com

Address: A1208, Overseas Decoration Building, #122 Zhenhua RD., Futian, Shenzhen, China

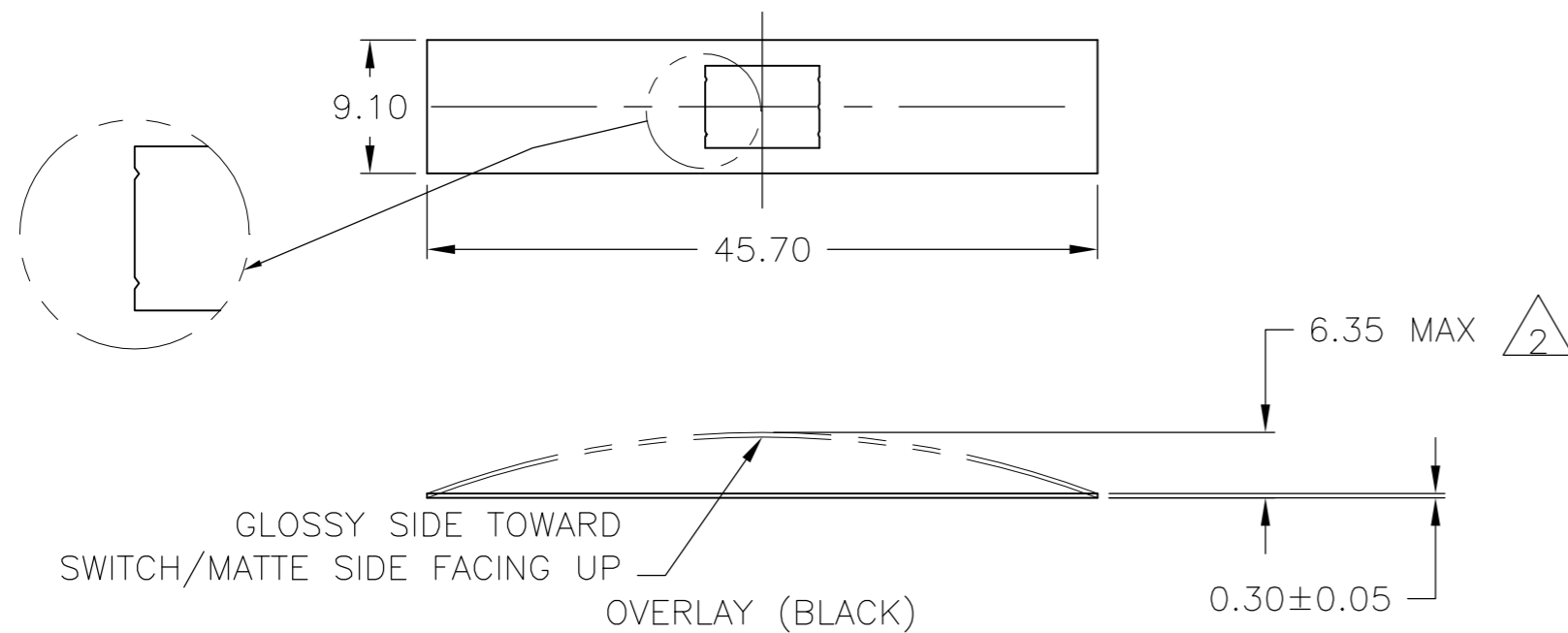


THIS DRAWING IS UNPUBLISHED. RELEASED FOR PUBLICATION
 © COPYRIGHT BY TYCO ELECTRONICS CORPORATION. ALL RIGHTS RESERVED.

| LOC | | DIST | | REVISIONS | | | | |
|-----|-----|-------------|---------------------------|-----------|------|---------|------|----|
| P | LTR | DESCRIPTION | | | DATE | DWN | APVD | |
| AD | 00 | E3 | REVISED PER ECO-10-012514 | | | 16JUN10 | HMR | NE |



PCB LAYOUT



Specifications:
 Double Pole Five Throw
 Break-Before-Make

Materials:
 Actuator, POM, UL94-HB
 Board, Phenolic Laminated Sheet, UL94-HB
 Frame, Steel, Nickel plate
 Terminal, Copper Alloy, Silver over Nickel plate
 Ball, Steel
 Coil Spring, Spring Wire, Black
 Contact Clip, Copper Alloy, Silver clad plate
 Seal, Epoxy
 Overlay, PC, Black

Electrical:
 Contact Rating, .5A@ 50V DC max, Per EIA-448, Method 6
 Contact rating 1milliamp@ 5V DC min
 Initial Contact resistance, 30 milliohms max, Per EIA-364-23B, each position
 Insulation Resistance, 500 Megohm @ 500V DC, Per EIA-364-21C each position
 Dielectric strength, 500 V AC, Per EIA-364-20B, Condition 1, each position.

Mechanical:
 Actuation force, 400+/-200 GF
 Actuation Travel, 4.00mm
 Life Expectancy, 10,000 cycles, Per EIA-448, Method 8 and 9
 Vibration, Per EIA 364-28, Condition VII, Level E
 Mechanical Shock, Per EIA-364-27, Condition A

Environmental:
 Operating Temperature, -20 to +65 degrees C, Per EIA 448, Method 10
 Storage Temperature, -25 to +70 degrees C
 Humidity and Temperature Cycling Per EIA-364-31B, Method III
 Temperature Life Per EIA-364-17B, Method B, Temperature Test Condition 3, Time Condition B
 Thermal Shock, Per EIA-364-32C, -25 to 70 degrees C
 Solderability, Per EIA-364-52, Class 2, Category 1, 95% Minimum coverage
 Resistance to Solder Heat, Per EIA-364-56A, Procedure 3, Condition B

- 1 COUNTRY OF ORIGIN AND TE LOGO LOCATED APPROXIMATELY AS SHOWN
- 2 ASSEMBLED WITH GLOSSY SIDE TOWARD SWITCH/MATTE SIDE FACING UP.
- 3 Anti Solder Wick Seal at Terminal to Board Interface.

| | | | | | | |
|-----------|---------|--------|--------|--------|--------|--------|
| 1571600-1 | SILVER | 4 TO 1 | 4 TO 2 | 4 TO 3 | 4 TO 5 | 4 TO 6 |
| PART NO | PLATING | | | | | |

TERMINALS CONNECTED WHEN SLIDE IS IN OPEN POSITION

| | | | | | | |
|--|--|-----------------------|---|-----------|--|--------------|
| THIS DRAWING IS A CONTROLLED DOCUMENT. | | DWN R BROWN 08JUN04 | Tyco Electronics Corporation Harrisburg, Pa 17105-3608 | | | |
| DIMENSIONS: mm | | CHK M SARVER 08JAN04 | NAME SLIDE SWITCH 0.5 AMP | | | |
| TOLERANCES UNLESS OTHERWISE SPECIFIED: | | APVD M SARVER 08JAN04 | SIZE A2 CAGE CODE 00779 C=1571600 | | | |
| 0 PLC ± - | | PRODUCT SPEC | DRAWING NO | | | |
| 1 PLC ± - | | APPLICATION SPEC | RESTRICTED TO | | | |
| 2 PLC ± 0.20 | | WEIGHT - | | SCALE 2:1 | | SHEET 1 OF 1 |
| 3 PLC ± - | | CUSTOMER DRAWING | | REV E3 | | |
| 4 PLC ± - | | | | | | |
| ANGLES ± 3° | | | | | | |
| FINISH - | | | | | | |