



Chipsmall Limited consists of a professional team with an average of over 10 year of expertise in the distribution of electronic components. Based in Hongkong, we have already established firm and mutual-benefit business relationships with customers from,Europe,America and south Asia,supplying obsolete and hard-to-find components to meet their specific needs.

With the principle of "Quality Parts,Customers Priority,Honest Operation,and Considerate Service",our business mainly focus on the distribution of electronic components. Line cards we deal with include Microchip,ALPS,ROHM,Xilinx,Pulse,ON,Everlight and Freescale. Main products comprise IC,Modules,Potentiometer,IC Socket,Relay,Connector.Our parts cover such applications as commercial,industrial, and automotives areas.

We are looking forward to setting up business relationship with you and hope to provide you with the best service and solution. Let us make a better world for our industry!



Contact us

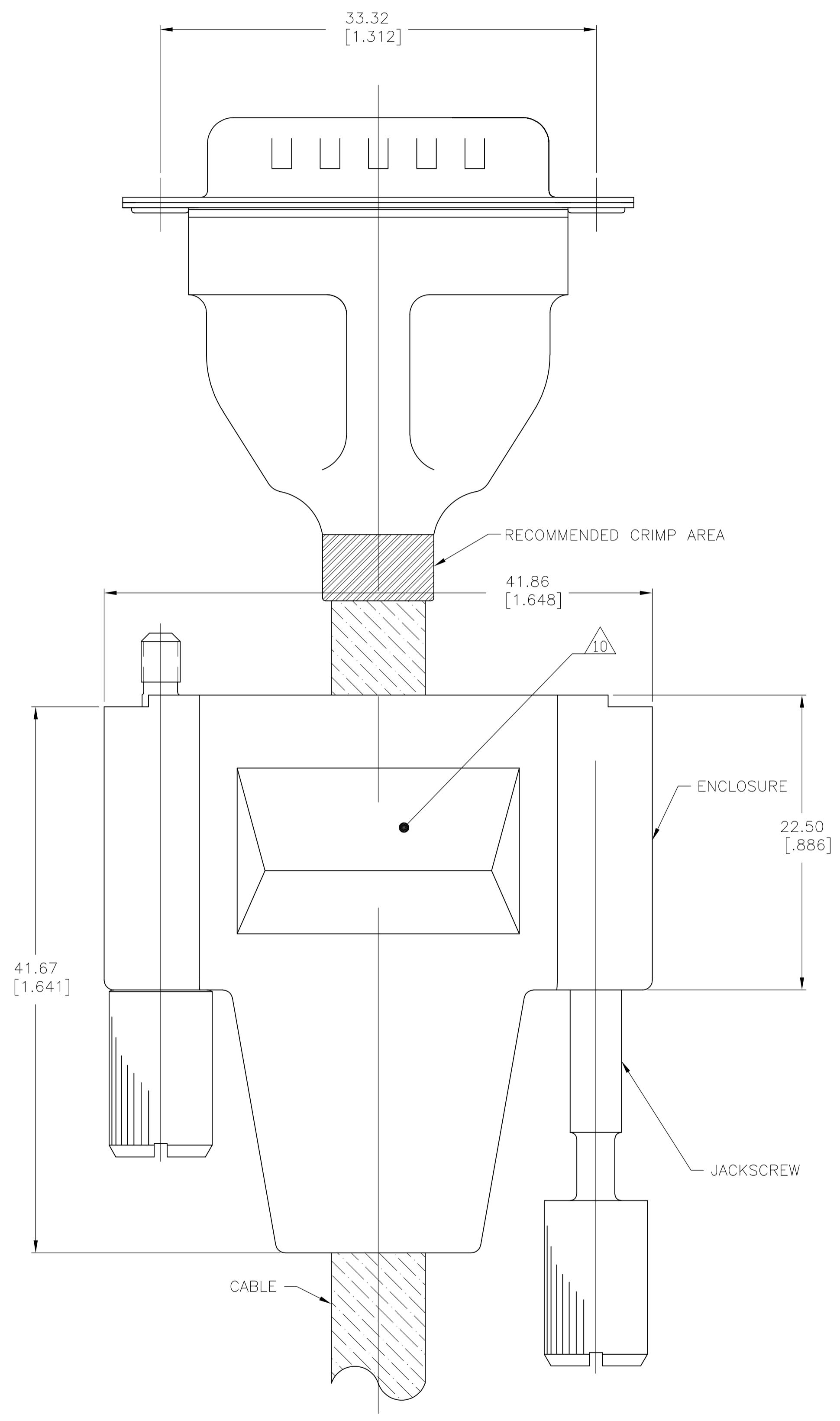
Tel: +86-755-8981 8866 Fax: +86-755-8427 6832

Email & Skype: info@chipsmall.com Web: www.chipsmall.com

Address: A1208, Overseas Decoration Building, #122 Zhenhua RD., Futian, Shenzhen, China



LOC		DIST		REVISIONS			
GP	00	REV	DATE	BY	CHK	APPV	
F		REVISED PER ECO-12-003967	13APR2012	CJV	CWR		



EXPLODED VIEW OF ASSEMBLED KIT

- 1 MATERIAL
INSERT: PBT, BLACK, UL94V-0 RATED
CONTACT & JACKSCREWS: BRASS
SHELLS & SHIELD: STEEL
ENCLOSURE: PVC, BLACK
 - 2 FINISH:
CONTACT: GOLD PLATING 0.02µm[.000008] MIN ON CONTACT AREA/2.3µm[.000090] MIN TIN-LEAD PLATING ON SOLDER AREA. ALL OVER 1.27µm[.000050] MIN NICKEL.
SHELL: 2.4µm[.000095] MIN TIN.
SHIELD: 2.0-3.0µm[.000080-.000120] TIN.
 - 3 SPECIFICATION:
ELECTRICAL CHARACTERISTICS:
CURRENT RATING: 3 AMPERES
DIELECTRIC WITHSTANDING VOLTAGE: AC 1000V r.m.s
INSULATION RESISTANCE: 5000 MEGAOHMS MINIMUM AT DC 500V
CONTACT RESISTANCE: 10 MILLIOHMS MAXIMUM.
 - 4 PLUG CONNECTOR FULLY LOADED WITH CONTACTS. ALL OTHER PARTS ARE SHIPPED UNASSEMBLED, EACH PART INDIVIDUALLY BULK PACKED.
 - 5 SOLDER CUP WILL ACCOMMODATE 20 MAX. AWG WIRE.
 - 6 FINISH:
CONTACT: GOLD PLATING 0.02µm[.000008] MIN ON CONTACT AREA/2.3µm[.000090] MIN HOT DIPPED TIN-COPPER PLATING ON SOLDER AREA. ALL OVER 1.27µm[.000050] MIN NICKEL.
SHELL: 2.4µm[.000095] MIN BRIGHT TIN.
SHIELD: 2.0-3.0µm[.000080-.000120] TIN.
 - 8 ROHS 2002/95/EC COMPLIANT PART (SEE SHEET 2)
 - 9 OBSOLETE PARTS: OBSOLETE CIS STREAMLINING PER D.RENAUD/D.SINISI.
 - 10 COMPANY LOGO IN APPROXIMATE AREA SHOWN.
11. ASSEMBLE PER 408-10443.

8 9	OBSOLETE	6	10.8 [.425]	1571651-6
8		6	9.5 [.374]	1571651-5
8 9	OBSOLETE	6	7.2 [.283]	1571651-4
SUPERSEDED BY 1571651-6		2	10.8 [.425]	1571651-3
SUPERSEDED BY 1571651-5		2	9.5 [.374]	1571651-2
SUPERSEDED BY 1571651-4		2	7.2 [.283]	1571651-1
	FINISH	CABLE DIA L	PART NUMBER	

THIS DRAWING IS A CONTROLLED DOCUMENT. DIN M. BINNER 21NOV03

TE Connectivity

BULK KIT, PLUG, AMPLIMITE SOLDER CUP SHIELDING ENCLOSURE 15 POSITION, SIZE 2

108-40031

100779 1571651

SCALE 4:1 SHEET 1 OF 1 REV F