



Chipsmall Limited consists of a professional team with an average of over 10 year of expertise in the distribution of electronic components. Based in Hongkong, we have already established firm and mutual-benefit business relationships with customers from,Europe,America and south Asia,supplying obsolete and hard-to-find components to meet their specific needs.

With the principle of “Quality Parts,Customers Priority,Honest Operation,and Considerate Service”,our business mainly focus on the distribution of electronic components. Line cards we deal with include Microchip,ALPS,ROHM,Xilinx,Pulse,ON,Everlight and Freescale. Main products comprise IC,Modules,Potentiometer,IC Socket,Relay,Connector.Our parts cover such applications as commercial,industrial, and automotives areas.

We are looking forward to setting up business relationship with you and hope to provide you with the best service and solution. Let us make a better world for our industry!



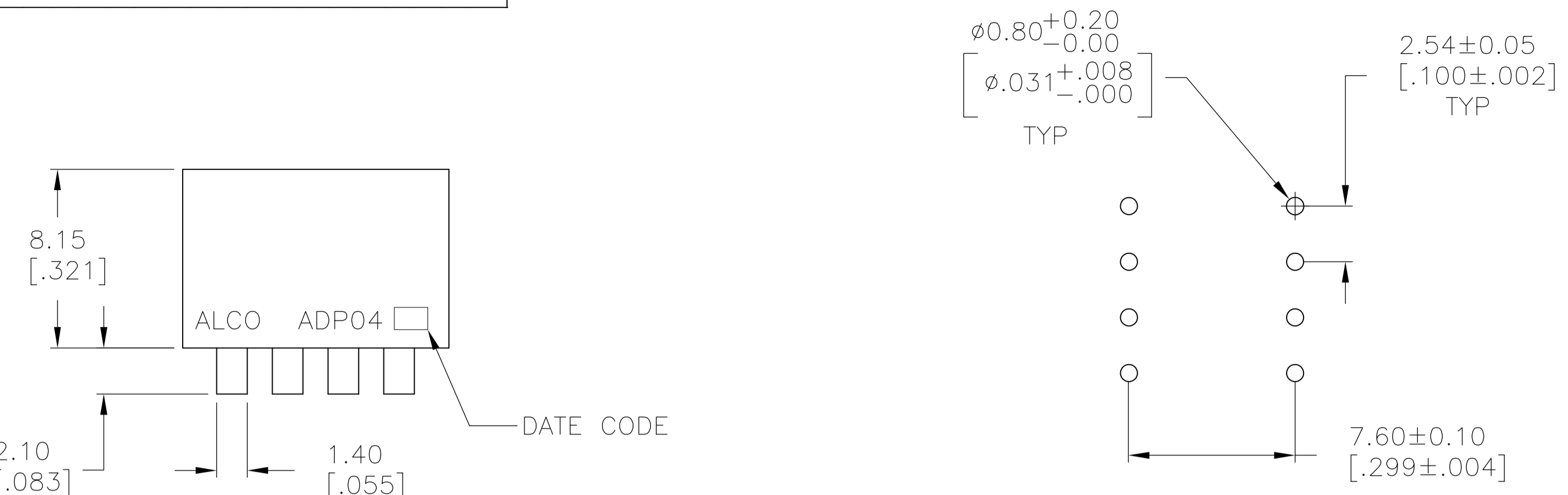
Contact us

Tel: +86-755-8981 8866 Fax: +86-755-8427 6832

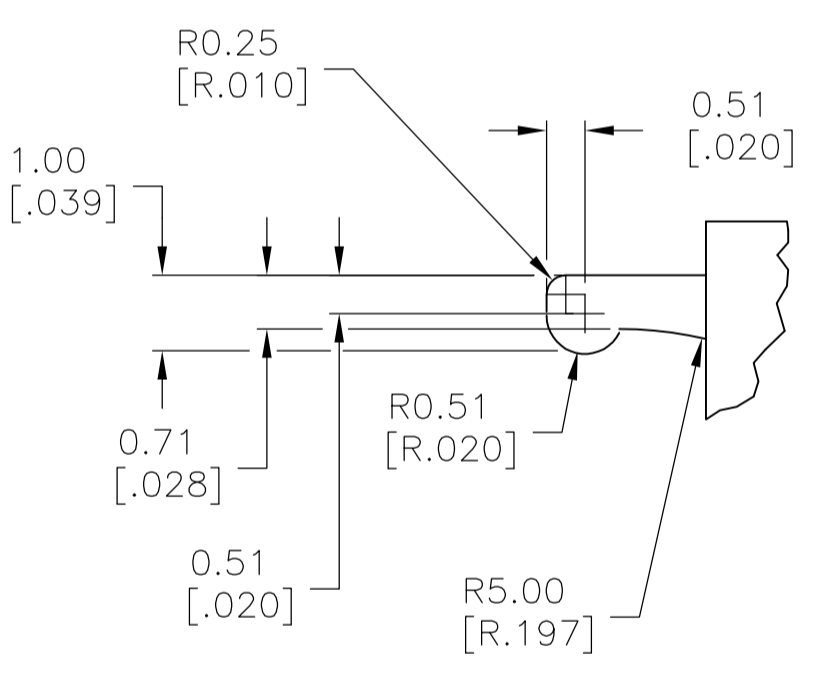
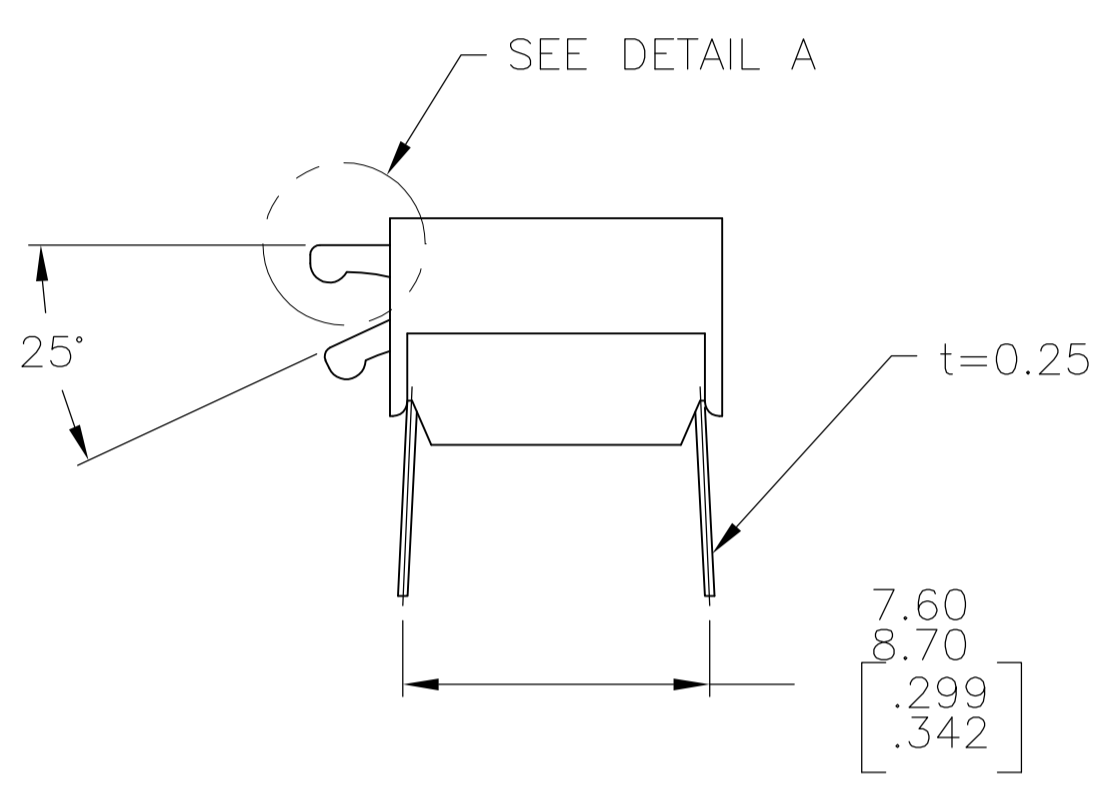
Email & Skype: info@chipsmall.com Web: www.chipsmall.com

Address: A1208, Overseas Decoration Building, #122 Zhenhua RD., Futian, Shenzhen, China

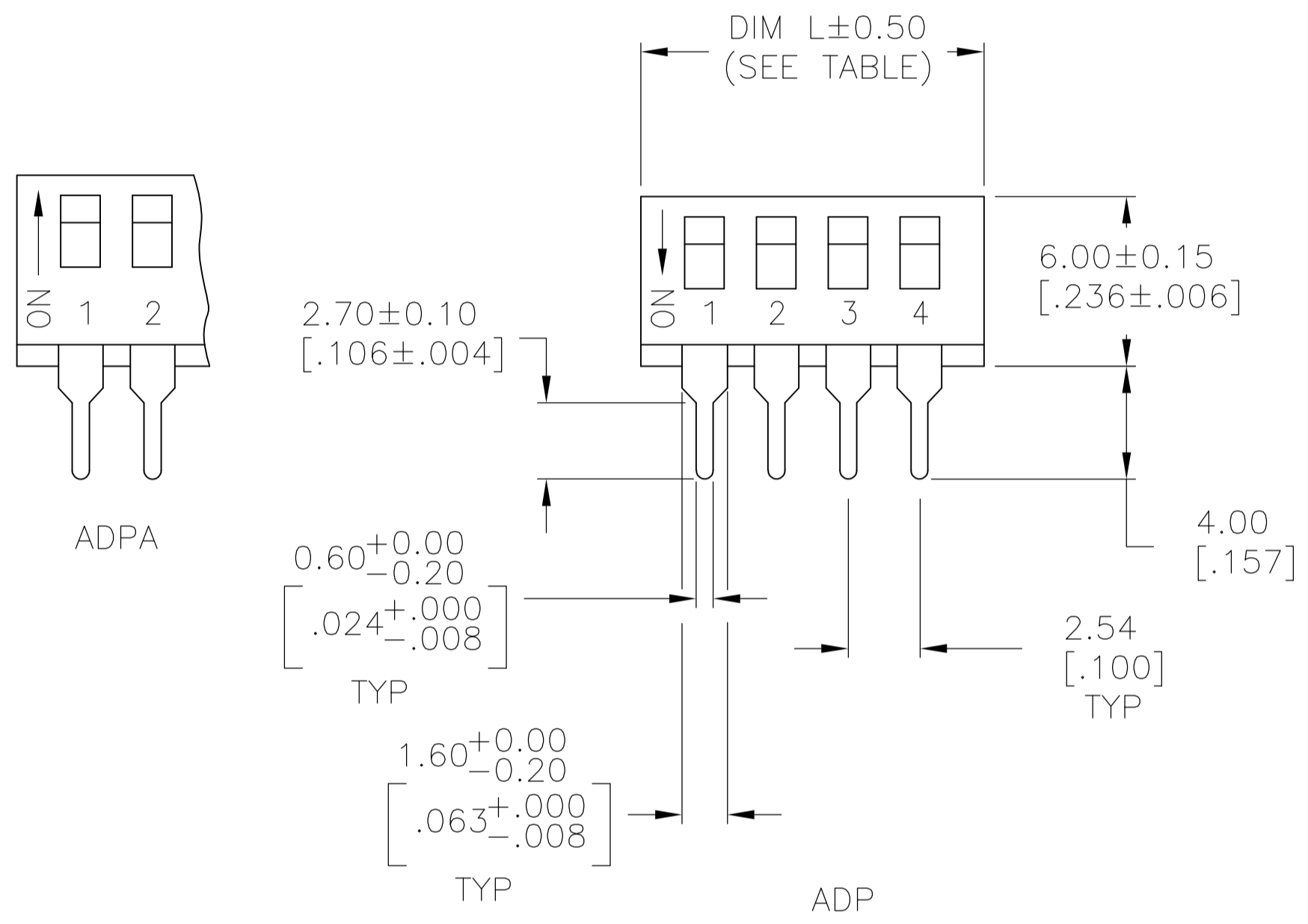




RECOMMENDED HOLE LAYOUT



DETAIL A SCALE: 10:1



SPECIFICATIONS:

MATERIAL:
CASE: PPS 94V-0, BLACK
COVER: PPS 94V-0, BLACK
ACTUATOR: NYLON PA6T 94V-0, WHITE
MOVING CONTACT: COPPER ALLOY, GOLD OVER NICKEL PLATE.
FIXED CONTACT/TERMINAL: COPPER ALLOY, GOLD OVER NICKEL PLATE.

ELECTRICAL:
CONTACT RATING: MAX RATING (SWITCHING) 100 MILLIAMPS @ 24V DC,
MIN (SWITCHING) 0.10 MICROAMPS @1 MILLIVOLT,
MAX (NON-SWITCHING) 1 AMP @ 5V DC INITIAL
CONTACT RESISTANCE: 50 MILLIOHMS MAX.
INSULATION RESISTANCE: 100 MEGOHMS MIN. @ 100 VDC.
DIELECTRIC STRENGTH: 500 VAC. LIFE EXPECTANCY: 1000 CYCLES MIN.

MECHANICAL:
ACTUATION FORCE: 800g MAX.

ENVIRONMENTAL:
OPERATING TEMPERATURE: -22°F TO +185°F (-30°C TO +85°C).
STORAGE TEMPERATURE: -49°F TO +212°F (-45°C TO +100°C).
SOLDER HEAT RESISTANCE TO 265±3°C FOR 8±2 SECONDS.
SOLDERABILITY PER JIS C 0050 & JIS C 0053

- CONTACT PRESSURE: 280,000 PSI.
 - CLEANING: AQUEOUS SOLUTION OR SOLVENT.
 - PACKAGING OPTIONS- CLEAR TUBES OR TAPE AND REEL PER EIA-481 SWITCH SUPPLIED IN THE "OFF" POSITION UNLESS "ON" IS SPECIFIED IN THE ALCO PART NUMBER (SEE PART NUMBER TABLE FOR ALL OPTIONS)
 - TOP & FRONT SURFACES TO BE CLEARLY MARKED AS SHOWN.
 - SWITCHES TO BE BLACK WITH WHITE ACTUATORS AND MARKINGS.
 - ALL MATERIAL AND FINISHES SHALL COMPLY WITH EU DIRECTIVE 2002/95/EC OF 27JAN2003 (ROHS)
- ⚠ OBSOLETE PARTS: OBSOLETE CIS STREAMLINING PER D.RENAUD/D.SINISI

SEE SHEET 2 FOR SURFACE MOUNT OPTIONS AND DIMENSIONS.

DESCRIPTION	QTY	LEAD	DATE	REV	DESCRIPTION	QTY	LEAD	DATE	REV
TUBE	10	27.38 [1.078]			ADPA10SA04	6-1571999-4			
TUBE	10	27.38 [1.078]			ADPA10S04	6-1571999-3			
TUBE	10	27.38 [1.078]			ADPA1004	6-1571999-2			
TUBE	9	24.84 [.978]			ADPA09SA04	6-1571999-1			
TUBE	9	24.84 [.978]			ADPA09S04	6-1571999-0			
TUBE	9	24.84 [.978]			ADPA0904	5-1571999-9			
TUBE	8	22.30 [.878]			ADPA08SA04	5-1571999-8			
TUBE	8	22.30 [.878]			ADPA08S04	5-1571999-7			
TUBE	8	22.30 [.878]			ADPA0804	5-1571999-6			
TUBE	7	19.76 [.778]			ADPA07SA04	5-1571999-5			
TUBE	7	19.76 [.778]			ADPA07S04	5-1571999-4			
TUBE	7	19.76 [.778]			ADPA0704	5-1571999-3			
TUBE	6	17.22 [.678]			ADPA06SA04	5-1571999-2			
TUBE	6	17.22 [.678]			ADPA06S04	5-1571999-1			
TUBE	6	17.22 [.678]			ADPA0604	5-1571999-0			
TUBE	5	14.68 [.578]			ADPA05SA04	4-1571999-9			
TUBE	5	14.68 [.578]			ADPA05S04	4-1571999-8			
TUBE	5	14.68 [.578]			ADPA0504	4-1571999-7			
TUBE	4	12.14 [.478]			ADPA04SA04	4-1571999-6			
TUBE	4	12.14 [.478]			ADPA04S04	4-1571999-5			
TUBE	4	12.14 [.478]			ADPA0404	4-1571999-4			
TUBE	2	7.06 [.278]			ADPA02SA04	4-1571999-3			
TUBE	2	7.06 [.278]			ADPA02S04	4-1571999-2			
TUBE	2	7.06 [.278]			ADPA0204	4-1571999-1			
OBSOLETE	TAPE & REEL SWITCH ON	10	27.38 [1.078]		ADP10STRON04	4-1571999-0			
TAPE & REEL	TAPE & REEL	10	27.38 [1.078]		ADP10STR04	3-1571999-9			
OBSOLETE	TUBE	10	27.38 [1.078]		ADP10SA04	3-1571999-8			
TUBE	TUBE	10	27.38 [1.078]		ADP10S04	3-1571999-7			
TUBE	TUBE	10	27.38 [1.078]		ADP1004	3-1571999-6			
OBSOLETE	TAPE & REEL SWITCH ON	9	24.84 [.978]		ADP09STRON04	3-1571999-5			
TAPE & REEL	TAPE & REEL	9	24.84 [.978]		ADP09STR04	3-1571999-4			
OBSOLETE	TUBE	9	24.84 [.978]		ADP09SA04	3-1571999-3			
TUBE	TUBE	9	24.84 [.978]		ADP09S04	3-1571999-2			
TUBE	TUBE	9	24.84 [.978]		ADP0904	3-1571999-1			
OBSOLETE	TAPE & REEL SWITCH ON	8	22.30 [.878]		ADP08STRON04	3-1571999-0			
TAPE & REEL	TAPE & REEL	8	22.30 [.878]		ADP08STR04	2-1571999-9			
OBSOLETE	TUBE	8	22.30 [.878]		ADP08SA04	2-1571999-8			
TUBE	TUBE	8	22.30 [.878]		ADP08S04	2-1571999-7			
TUBE	TUBE	8	22.30 [.878]		ADP0804	2-1571999-6			
OBSOLETE	TAPE & REEL SWITCH ON	7	19.76 [.778]		ADP07STRON04	2-1571999-5			
TAPE & REEL	TAPE & REEL	7	19.76 [.778]		ADP07STR04	2-1571999-4			
OBSOLETE	TUBE	7	19.76 [.778]		ADP07SA04	2-1571999-3			
TUBE	TUBE	7	19.76 [.778]		ADP07S04	2-1571999-2			
TUBE	TUBE	7	19.76 [.778]		ADP0704	2-1571999-1			
OBSOLETE	TAPE & REEL SWITCH ON	6	17.22 [.678]		ADP06STRON04	2-1571999-0			
TAPE & REEL	TAPE & REEL	6	17.22 [.678]		ADP06STR04	1-1571999-9			
TUBE	TUBE	6	17.22 [.678]		ADP06SA04	1-1571999-8			
TUBE	TUBE	6	17.22 [.678]		ADP06S04	1-1571999-7			
TUBE	TUBE	6	17.22 [.678]		ADP0604	1-1571999-6			
OBSOLETE	TAPE & REEL SWITCH ON	5	14.68 [.578]		ADP05STRON04	1-1571999-5			
TAPE & REEL	TAPE & REEL	5	14.68 [.578]		ADP05STR04	1-1571999-4			
OBSOLETE	TUBE	5	14.68 [.578]		ADP05SA04	1-1571999-3			
TUBE	TUBE	5	14.68 [.578]		ADP05S04	1-1571999-2			
TUBE	TUBE	5	14.68 [.578]		ADP0504	1-1571999-1			
OBSOLETE	TAPE & REEL SWITCH ON	4	12.14 [.478]		ADP04STRON04	1-1571999-0			
TAPE & REEL	TAPE & REEL	4	12.14 [.478]		ADP04STR04	1571999-9			
TUBE	TUBE	4	12.14 [.478]		ADP04SA04	1571999-8			
TUBE	TUBE	4	12.14 [.478]		ADP04S04	1571999-7			
TUBE	TUBE	4	12.14 [.478]		ADP0404	1571999-6			
OBSOLETE	TAPE & REEL SWITCH ON	2	7.00 [.276]		ADP02STRON04	1571999-5			
TAPE & REEL	TAPE & REEL	2	7.00±0.50 [.276±.020]		ADP02STR04	1571999-4			
TUBE	TUBE	2	7.00±0.50 [.276±.020]		ADP02SA04	1571999-3			
TUBE	TUBE	2	7.00±0.50 [.276±.020]		ADP02S04	1571999-2			
TUBE	TUBE	2	7.00±0.50 [.276±.020]		ADP0204	1571999-1			
PACKAGING	Pole	Dim L	Old T&B P/N	P/N					

THIS DRAWING IS A CONTROLLED DOCUMENT.

DIMENSIONS: mm [INCHES]	TOLERANCES UNLESS OTHERWISE SPECIFIED:	DIN M BINNER 14FEB05	APVD M SARVER 15FEB05
0 PLC ± -	1 PLC ± -	2 PLC ± -	3 PLC ± 0.12(0.31)
4 PLC ± -	ANGLES ± 1°		

MATERIAL: - FINISH: -

WEIGHT: -

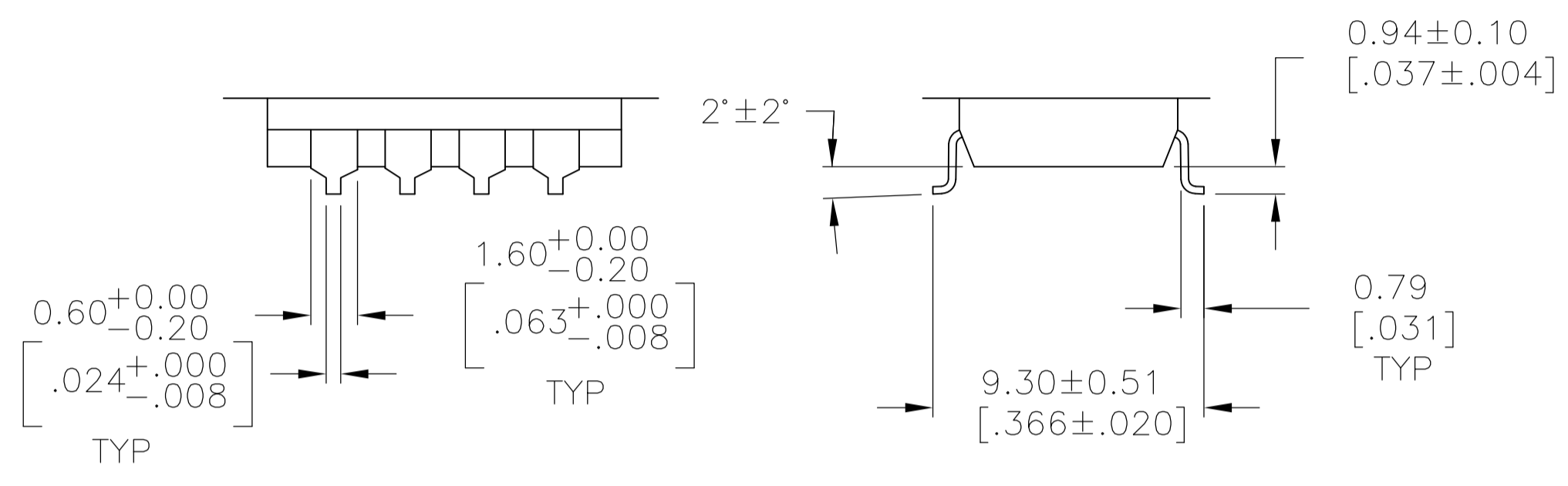
CUSTOMER DRAWING

SCALE: 1:1 SHEET 1 OF 2 REV D4

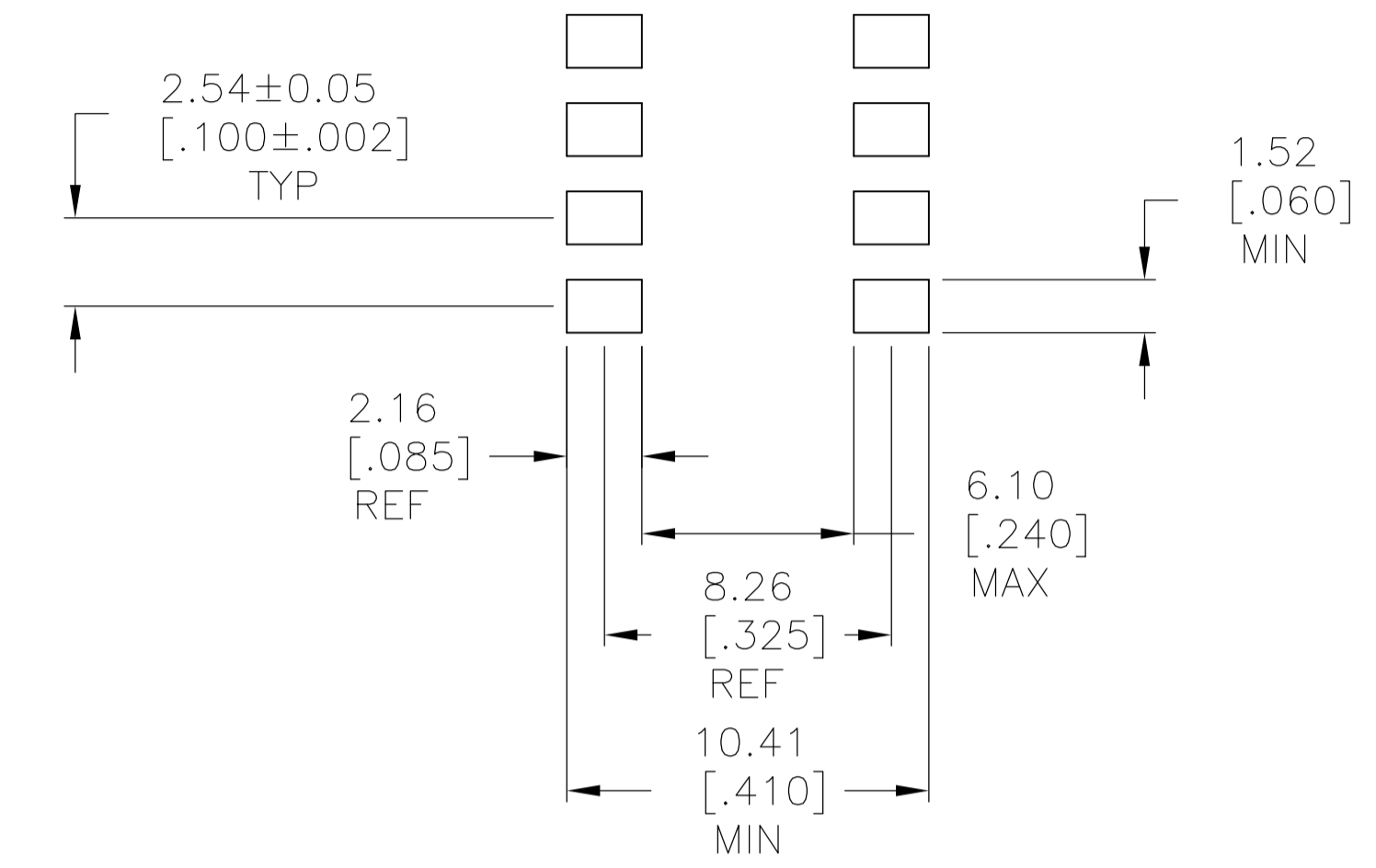
STE TE Connectivity

DIP SWITCH ASSEMBLY ADP/PA SERIES

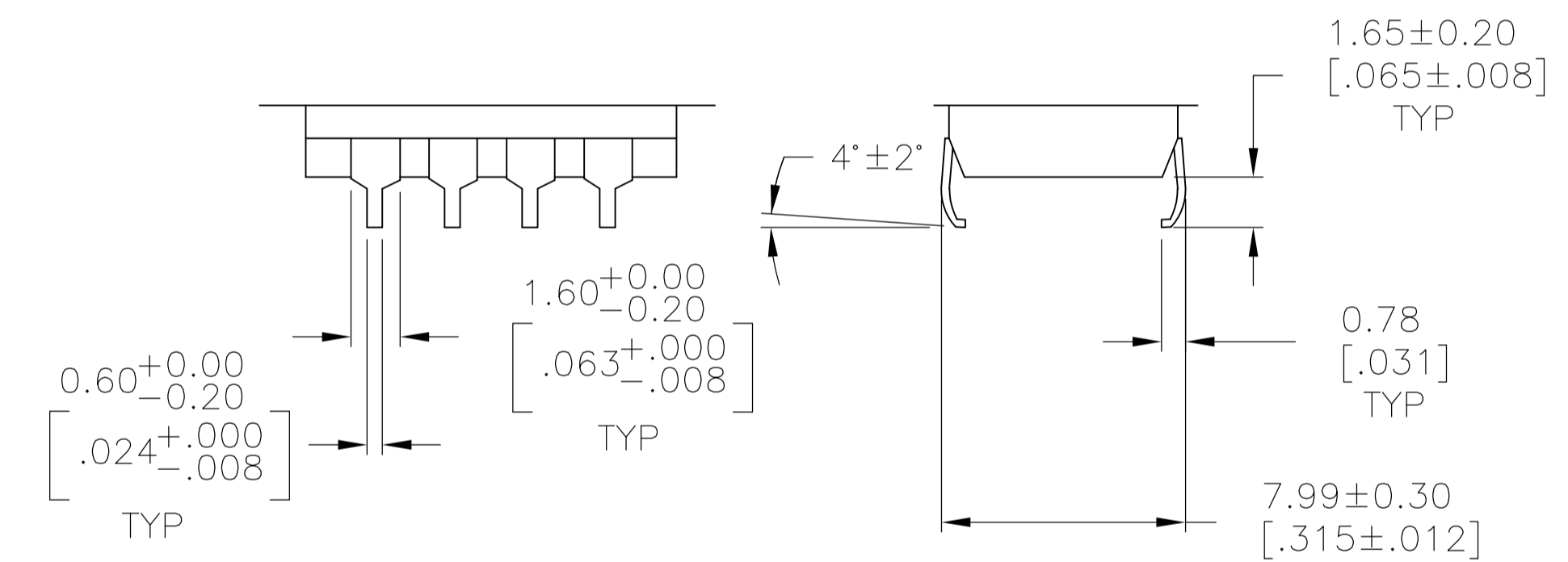
SIZE: A1 CAGE CODE: 00779 DRAWING NO: 1571999 RESTRICTED TO: -



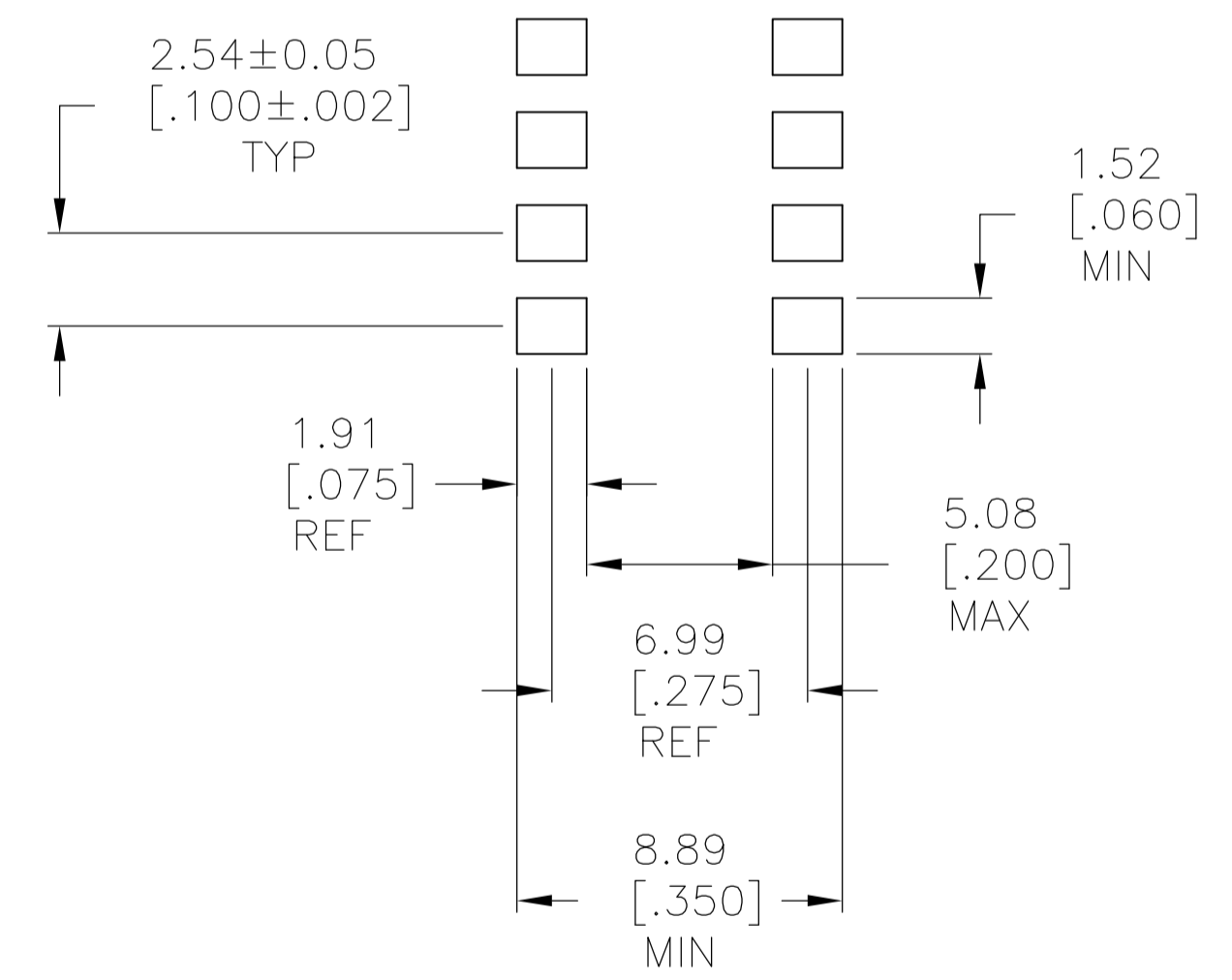
SURFACE MOUNT
"S" TERMINATION



RECOMMENDED PAD LAYOUT
SURFACE MOUNT
"S" TERMINATION



SURFACE MOUNT
"SA" TERMINATION



RECOMMENDED PAD LAYOUT
SURFACE MOUNT
"SA" TERMINATION

THIS DRAWING IS A CONTROLLED DOCUMENT.		DIN	M. BINNER	14FEB05	 TE Connectivity
DIMENSIONS: mm [INCHES]		CHK	M. SARVER	15FEB05	
TOLERANCES UNLESS OTHERWISE SPECIFIED:		APVD		M. SARVER	15FEB05
0. PLC ± -		NAME		DIP SWITCH ASSEMBLY	
1. PLC ± -		PRODUCT SPEC		ADP/PA SERIES	
2. PLC ± -		APPLICATION SPEC		SIZE	
3. PLC ± .012(0.31)		WEIGHT		A1 00779 1571999	
4. PLC ± ± 1°		CUSTOMER DRAWING		SCALE 1:1 SHEET 2 OF 2 REV D4	
MATERIAL		FINISH		RESTRICTED TO	