



Chipsmall Limited consists of a professional team with an average of over 10 year of expertise in the distribution of electronic components. Based in Hongkong, we have already established firm and mutual-benefit business relationships with customers from,Europe,America and south Asia,supplying obsolete and hard-to-find components to meet their specific needs.

With the principle of “Quality Parts,Customers Priority,Honest Operation,and Considerate Service”,our business mainly focus on the distribution of electronic components. Line cards we deal with include Microchip,ALPS,ROHM,Xilinx,Pulse,ON,Everlight and Freescale. Main products comprise IC,Modules,Potentiometer,IC Socket,Relay,Connector.Our parts cover such applications as commercial,industrial, and automotives areas.

We are looking forward to setting up business relationship with you and hope to provide you with the best service and solution. Let us make a better world for our industry!



Contact us

Tel: +86-755-8981 8866 Fax: +86-755-8427 6832

Email & Skype: info@chipsmall.com Web: www.chipsmall.com

Address: A1208, Overseas Decoration Building, #122 Zhenhua RD., Futian, Shenzhen, China



LOC Q DIST

REVISIONS

P	LTR	DESCRIPTION	DATE FECHA	DWN DIBUJO	APVD APROBO
	Q	RELEASED	2/8/93	B.A.	B.A.
A		REDRAWN & ADD DIMENSIONS	2/8/93	B.A.	B.A.
B		ADD DIM & SCREW SPECIFICATION	2/8/96	ACH	ACH
C		LM00 - 0009 - 97	27/1/97	ACH	ACH
D		LM00 - 0110 - 97	14/5/97	ACH	ACH
E		0G3A-0577-02	19/09/02	JR	ND

NOTES:



3

4

5

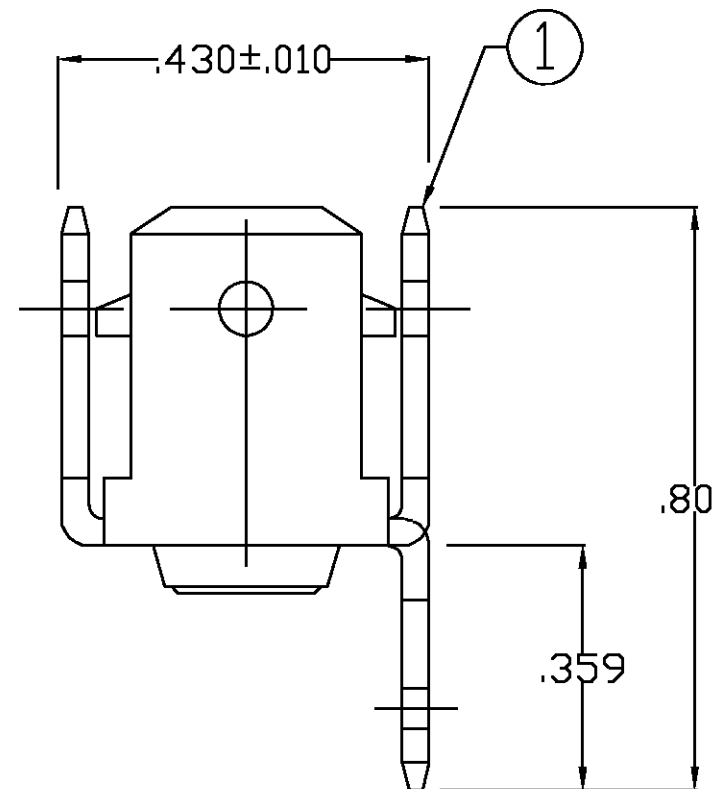
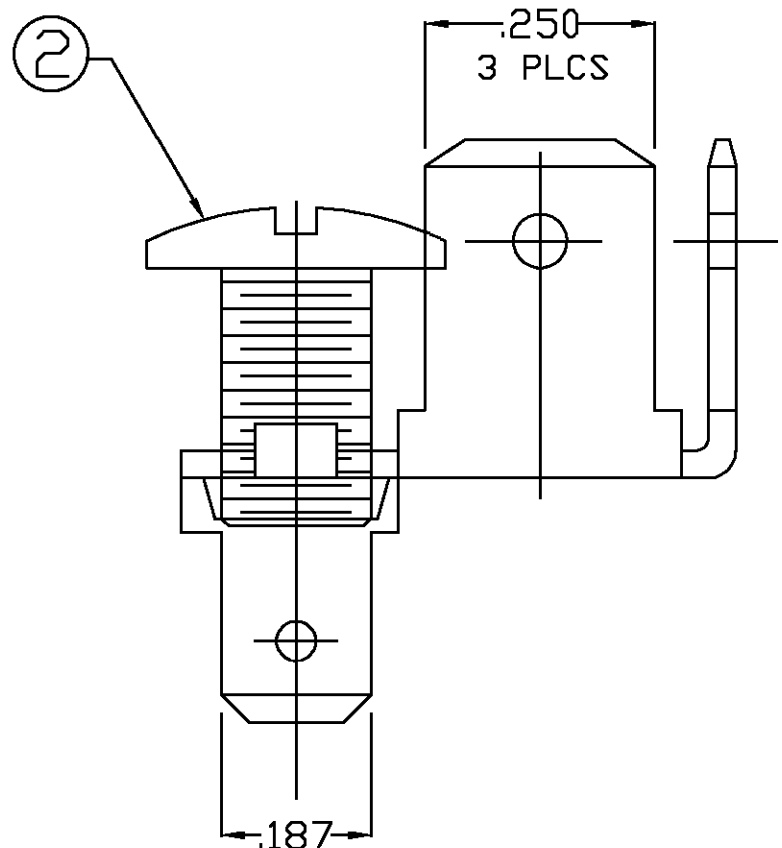
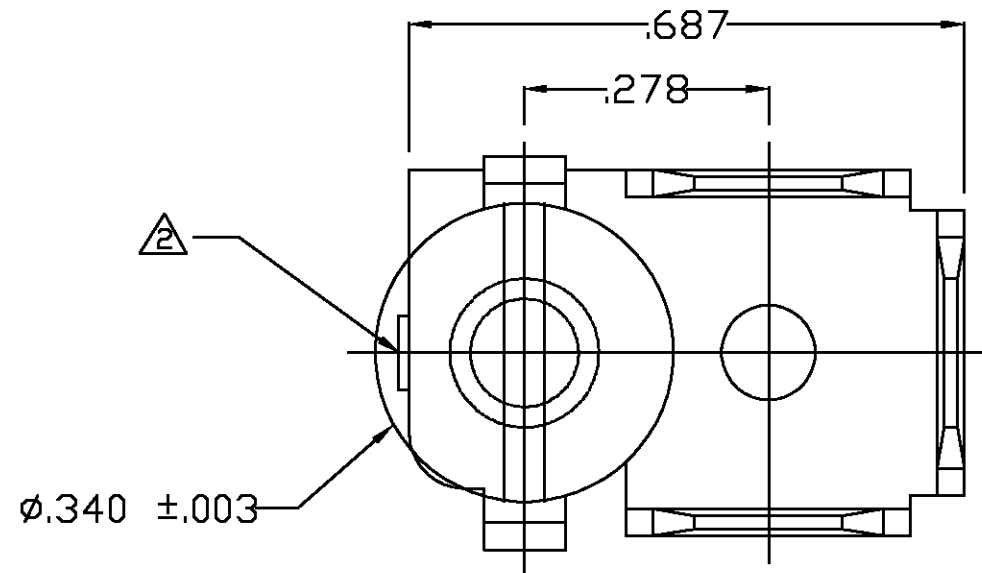
PART NUMBER	DESCRIPTION
157423-1	Binding Head .340dia #10-32 .312 long. Brass Screw (Electrical Type)
157423-2	Binding Head .340dia #10-32 .312 long. Brass Screw (Electrical Type) Bright Nickel Finish

CUTOFF MAX. ALLOWED 0.015

TORQUE OF 2-8 LB-IN ON SETTING OF SCREW

THREADS DEFORMED SO AS NOT TO ALLOW REMOVAL OF THE SCREW

PART TO BE CLEAN AND OIL FREE



2	157423-2	SCREW (NICKEL PLATED)	1	1	△		NONE
2	157423-1	SCREW	1	1	△		NONE
1	157422-1	TAB FASTON .250 8 .187S.	1	1	BRASS 100-86	0.032+-0.001	082
ITEM	PART NUMBER	DESCRIPTION	-1	-2	MATERIAL	DIMENSIONS	HEAT TREAT

THIS DRAWING IS A CONTROLLED DOCUMENT FOR AMP INCORPORATED. IT IS SUBJECT TO CHANGE AND THE CONTROLLING ENGINEERING ORGANIZATION SHOULD BE CONTACTED FOR THE LATEST REVISION. ESTE PLANO ES UN DOCUMENTO CONTROLADO POR AMP INCORPORATED. ESTA SUJETO A CAMBIOS Y HAY QUE CONTACTAR AL DEPT. DE INGENIERIA POR LA ULTIMA REVISION.

DWN/DIBUJO: A. CHAVEZ 08/26/96
CHK/CONTROL: A. CHAVEZ 08/26/96
APVD/APROBO: A. CHAVEZ 08/26/96

AMP de Mexico S.A.
Tlalnepantla, Mexico.

FASTON TAB ASSY

DIMENSIONS: MEDIDAS, IN. TOLERANCES UNLESS OTHERWISE SPECIFIED TOLERANCIAS SALVO OTRA INDICACION.
0 PLC/LUG ±
1 PLC/LUG ±
2 PLC/LUG ±
3 PLC/LUG ± 0.015"
4 PLC/LUG ±
ANGLES/ANGULOS ± 1°

MATERIAL FINISH ACABADO: √

SIZE/TAMANO: A3 CAGE CODE/CODIGO DE CELDA: 00779 DRAWING NO/PLANO NO: 157431

WEIGHT/PESO: SCALE/ESCALA: NTS SHEET/HOJA: 1 OF/DE: 1 REV: E