



Chipsmall Limited consists of a professional team with an average of over 10 year of expertise in the distribution of electronic components. Based in Hongkong, we have already established firm and mutual-benefit business relationships with customers from,Europe,America and south Asia,supplying obsolete and hard-to-find components to meet their specific needs.

With the principle of “Quality Parts,Customers Priority,Honest Operation,and Considerate Service”,our business mainly focus on the distribution of electronic components. Line cards we deal with include Microchip,ALPS,ROHM,Xilinx,Pulse,ON,Everlight and Freescale. Main products comprise IC,Modules,Potentiometer,IC Socket,Relay,Connector.Our parts cover such applications as commercial,industrial, and automotives areas.

We are looking forward to setting up business relationship with you and hope to provide you with the best service and solution. Let us make a better world for our industry!



Contact us

Tel: +86-755-8981 8866 Fax: +86-755-8427 6832

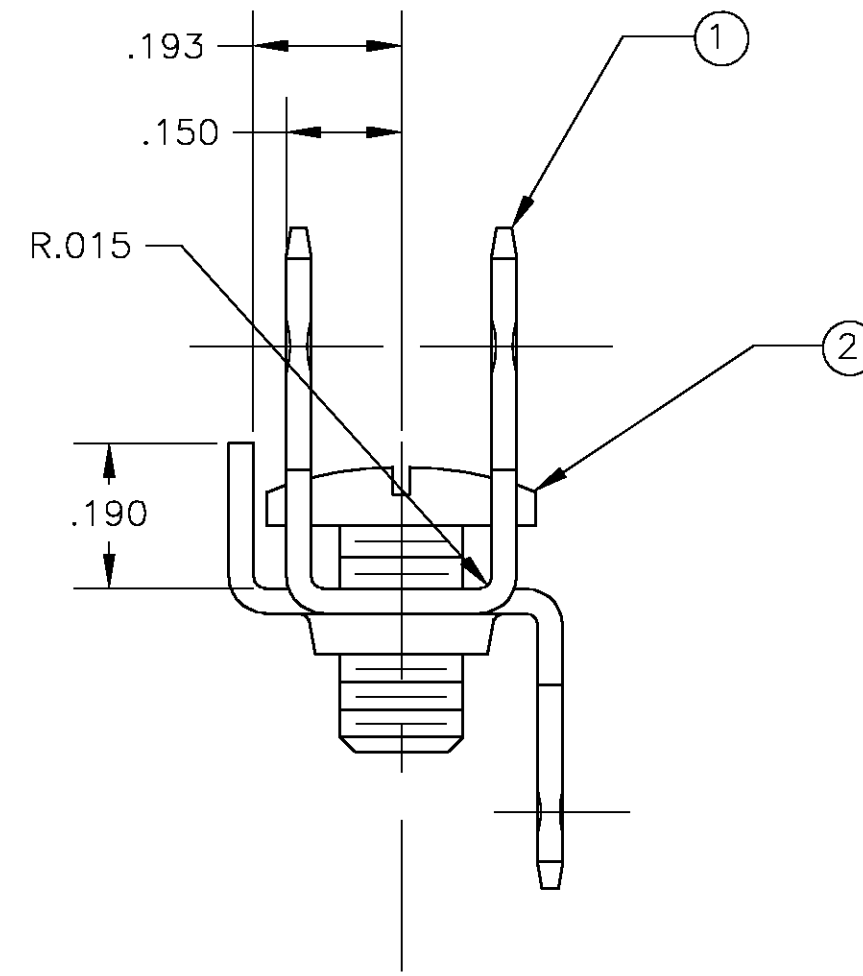
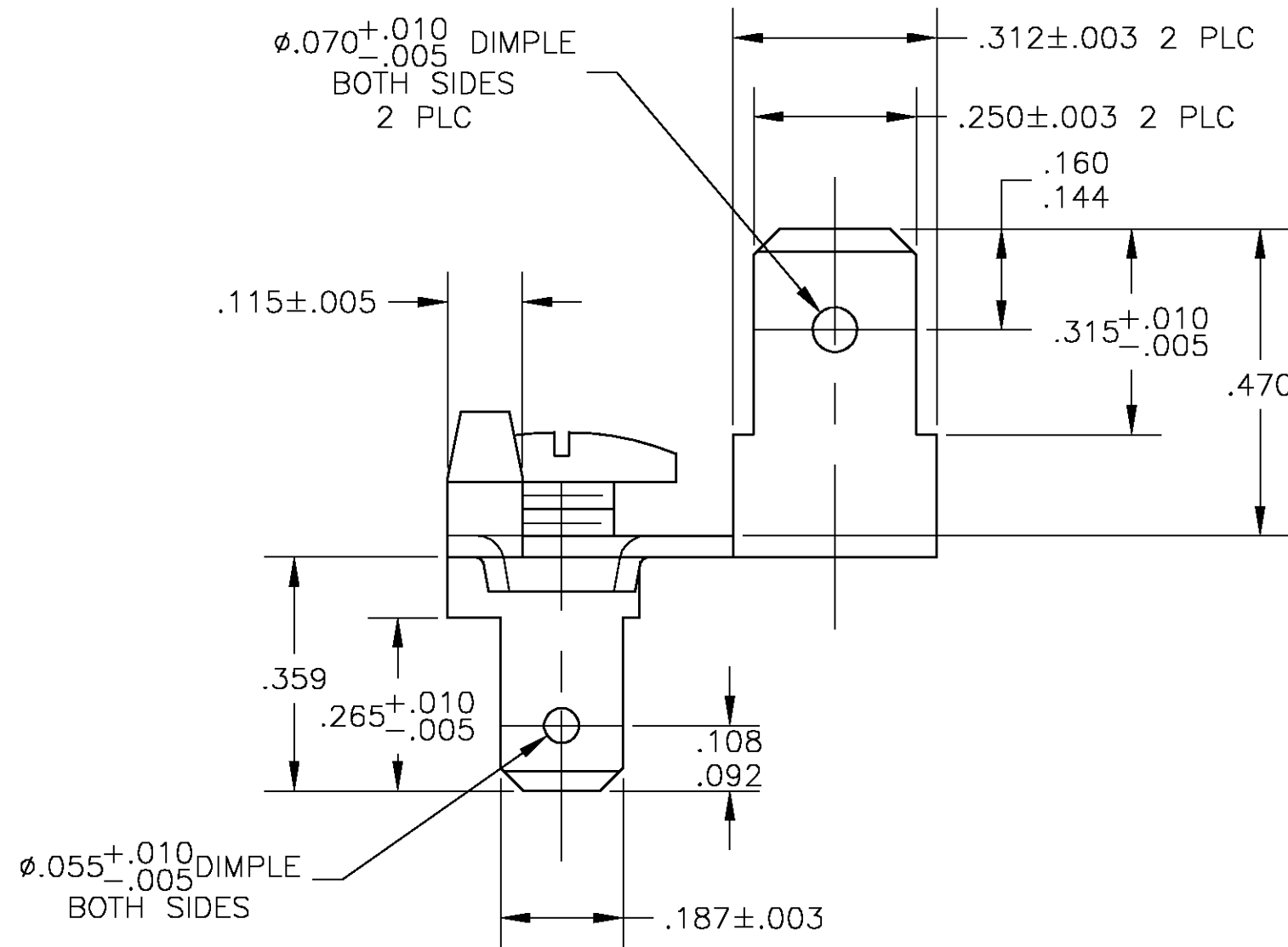
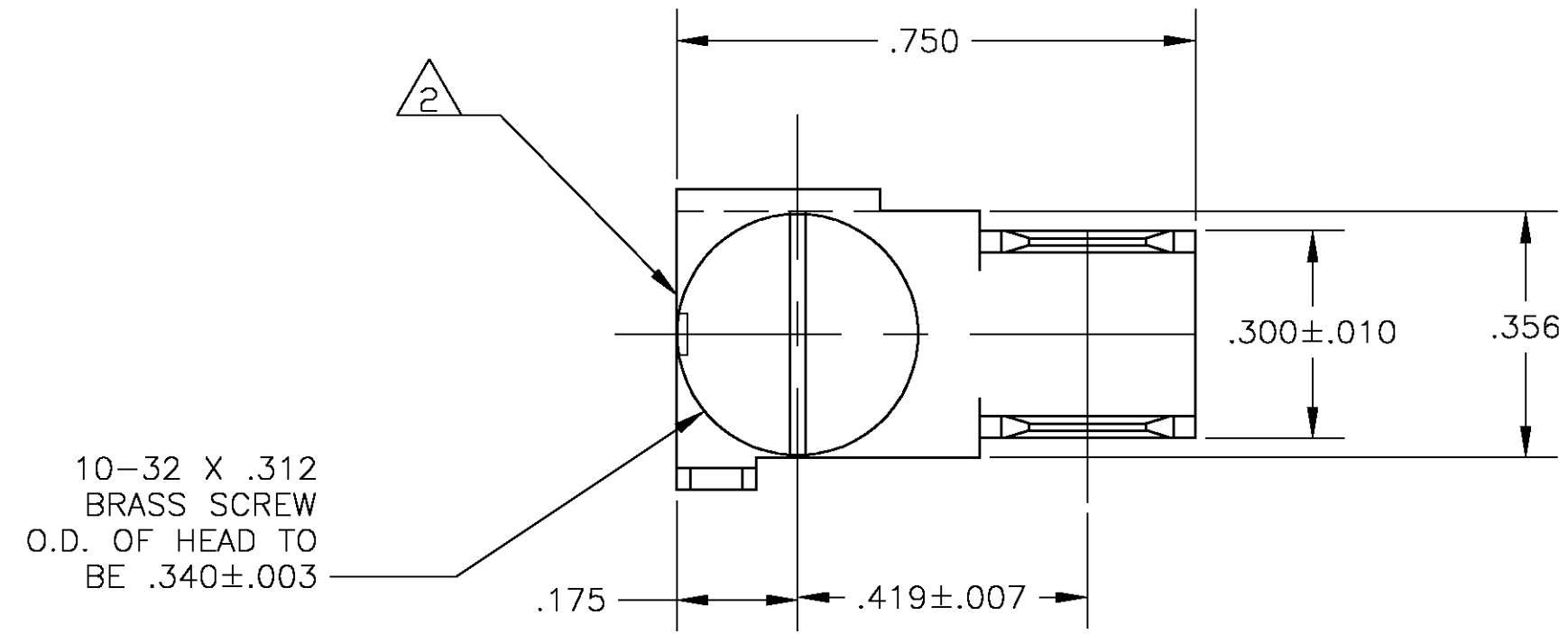
Email & Skype: info@chipsmall.com Web: www.chipsmall.com

Address: A1208, Overseas Decoration Building, #122 Zhenhua RD., Futian, Shenzhen, China



THIS DRAWING IS UNPUBLISHED. RELEASED FOR PUBLICATION
 © COPYRIGHT BY TYCO ELECTRONICS CORPORATION. ALL RIGHTS RESERVED.

LOC	DIST	REVISIONS			
P	LTR	DESCRIPTION	DATE	DWN	APVD
AF	14	C1	REV PER ECR 05-002915	25MAY05	JR KR



- 1 MATERIAL: .032±.001 THK BRASS, 100-86, HEAT TREAT 0.082
- 2 .010 MAX CUT-OFF ALLOWED
- 3 ASSEMBLY SCREW AND TORQUE 2-8 LB-IN
- 4 THREADS DEFORMED SO AS NOT TO ALLOW REMOVAL OF THE SCREW.
- 5 PART TO BE CLEAN AND OIL FREE
- 6 MATERIAL: BINDING HEAD .340 DIA, #10-32 .312 LONG. BRASS SCREW (ELECTRICAL TAPE)
- 7 MATERIAL: BINDING HEAD .340 DIA, #10-32 .312 LONG. BRASS SCREW (ELECTRICAL TAPE) BRIGHT NICKEL FINISH

1	7	-	1	1	T20737542	FASTON TAB ASSEMBLY NICKEL PLATED BRASS SCREW	157727-2
-	1	6	1	1	T20737542	FASTON TAB ASSEMBLY BRASS SCREW	157727-1
SCREW 157423-2	(e)	SCREW 157423-1	(e)	FASTON TAB 157728-1	(1)	EMERSON P/N	DESCRIPTION
						DESCRIPTION	PART NO.

THIS DRAWING IS A CONTROLLED DOCUMENT.

DWN JR RUTH 25MAY05	Tyco Electronics Corporation Harrisburg, Pa 17105-3608		
CHK K RANDOLPH 26MAY05			
APVD K RANDOLPH 26MAY05			
NAME			
DIMENSIONS: INCHES	TOLERANCES UNLESS OTHERWISE SPECIFIED:	PRODUCT SPEC	ASSEMBLY, TAB, FASTON, .250 AND 187 SERIES
0 PLC ± -	1 PLC ± -	APPLICATION SPEC	SIZE CAGE CODE DRAWING NO RESTRICTED TO
2 PLC ± -	3 PLC ± .005	WEIGHT	A2 00779 C=157727
4 PLC ± -	ANGLES ± 1'	CUSTOMER DRAWING	SCALE 4:1 SHEET 1 OF 1 REV C1
MATERIAL	FINISH		