



Chipsmall Limited consists of a professional team with an average of over 10 year of expertise in the distribution of electronic components. Based in Hongkong, we have already established firm and mutual-benefit business relationships with customers from,Europe,America and south Asia,supplying obsolete and hard-to-find components to meet their specific needs.

With the principle of “Quality Parts,Customers Priority,Honest Operation,and Considerate Service”,our business mainly focus on the distribution of electronic components. Line cards we deal with include Microchip,ALPS,ROHM,Xilinx,Pulse,ON,Everlight and Freescale. Main products comprise IC,Modules,Potentiometer,IC Socket,Relay,Connector.Our parts cover such applications as commercial,industrial, and automotives areas.

We are looking forward to setting up business relationship with you and hope to provide you with the best service and solution. Let us make a better world for our industry!



Contact us

Tel: +86-755-8981 8866 Fax: +86-755-8427 6832

Email & Skype: info@chipsmall.com Web: www.chipsmall.com

Address: A1208, Overseas Decoration Building, #122 Zhenhua RD., Futian, Shenzhen, China



Connection distributor - QPD H 4X2,5 GY - 1582260

Please be informed that the data shown in this PDF Document is generated from our Online Catalog. Please find the complete data in the user's documentation. Our General Terms of Use for Downloads are valid (<http://download.phoenixcontact.com>)

QUICKON H-distributor, gray, 4-pos. without PE, 1.0 mm² ... 2.5 mm² / 630 V / 20 A, without QUICKON nut



Key commercial data

Packing unit	1 PCE
Weight per Piece (excluding packing)	82.0 GRM
Custom tariff number	85366990
Country of origin	Germany

Technical data

General

Design	H-distributor
Color	gray
Connection method	QUICKON connection IDC connection
Number of positions	4
Wrench size, union nut	22 mm
Tightening torque, union nut	5 Nm
Number of connections	4
Conductor cross section stranded min.	1.5 mm ²
Conductor cross section stranded max.	2.5 mm ²
Conductor cross section solid min.	1 mm ²
Conductor cross section solid max.	2.5 mm ²
Conductor cross section AWG/kcmil min.	16
Conductor cross section AWG/kcmil max	14

Conductor

Connection distributor - QPD H 4X2,5 GY - 1582260

Technical data

Conductor

Structure of individual litz in acc. with VDE 0295 / smallest wire diameter	VDE 0295 class 1 to 6 / min. 0.15 mm
Wire insulation material	PVC / PE
Wire diameter including insulation	2.5 mm ... 3.8 mm
External cable diameter	6 mm ... 14 mm (Order Quickon nuts or Quickon connectors separately)

Ambient conditions

Degree of protection	IP68 (2 m / 24 h)
Ambient temperature (operation)	-40 °C ... 80 °C
Ambient temperature (storage/transport)	-40 °C ... 80 °C
Temperature when conductor connected	-5 °C ... 50 °C

Electrical characteristics

Nominal current I_N	20 A
Rated current	20 A
Rated voltage (III/3)	630 V
Rated voltage (III/2)	1000 V
Rated voltage (II/2)	1000 V
Rated surge voltage (III/3)	6 kV
Rated surge voltage (III/2)	8 kV
Rated surge voltage (II/2)	8 kV

Mechanical characteristics

QUICKON connectability	max. 10
Insertion/withdrawal cycles	50 (Quickon connections max. 10)

Material data

Contact material	CuZn
Contact surface material	Tin-plated
Contact carrier material	PA
Insulating material	PA
Inflammability class according to UL 94	V0
Surge voltage category	III
Pollution degree	3

Classifications

eCl@ss

eCl@ss 4.0	272607xx
eCl@ss 4.1	27260701

Connection distributor - QPD H 4X2,5 GY - 1582260

Classifications

eCl@ss

eCl@ss 5.0	27143424
eCl@ss 5.1	27143424
eCl@ss 6.0	27143424
eCl@ss 7.0	27440209
eCl@ss 8.0	27440209

ETIM

ETIM 3.0	EC000516
ETIM 4.0	EC000516
ETIM 5.0	EC000516

UNSPSC

UNSPSC 6.01	30211923
UNSPSC 7.0901	39121522
UNSPSC 11	39121522
UNSPSC 12.01	39121522
UNSPSC 13.2	39121522

Approvals

Approvals

Approvals

VDE Zeichengenehmigung / GOST

Ex Approvals

Approvals submitted

Approval details

VDE Zeichengenehmigung	
mm ² /AWG/kcmil	1.5-2.5

Connection distributor - QPD H 4X2,5 GY - 1582260

Approvals

Nominal current I _N	20 A
Nominal voltage U _N	690 V



Accessories

Accessories

Coding element

Coding profile - CP-QPD - 1582459



Coding profile red, for pushing into the QUICKON dome and connector, can be positioned in 90° steps.

Device marking

Engraving material - GPE 13X 9 WH - 0806932



Engraving material, Sheet, white, Unlabeled, Can be labeled with: Engraving, Plotter, Mounting type: Adhesive, Lettering field: 13 x 9 mm

Installation connector

Connector - QPD P 4X2,5 6-10 GY - 1582372



QUICKON connector, gray, 4-pos. without PE, 1.0 mm² ... 2.5 mm²/630 V/20 A, for cables with a diameter of 6 mm ... 10 mm.

Connection distributor - QPD H 4X2,5 GY - 1582260

Accessories

Connector - QPD P 4X2,5 9-14 GY - 1582379



QUICKON connector, gray, 4-pos. without PE, 1.0 mm² ... 2.5 mm²/630 V/20 A, for cables with a diameter of 9 mm ... 14 mm.

Mounting material

Assembly clip - QPD CLIP 2,5 BK - 1582235



Holding clip for Quickon-H distributor, for snapping on and removal without tools.

Protective cap

Protective cap - QPD QSK 2,5 FS - 1582488



Plastic protective cap, for QPD-QUICKON connectors, green, with holding band, IP68

Socket spanner

Socket wrench - QSS 22 - 1670206

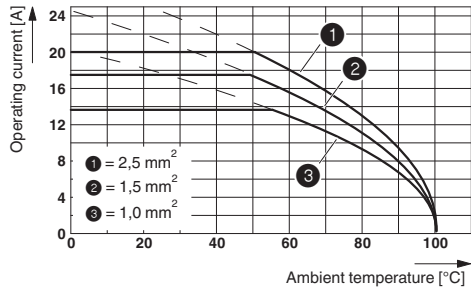


Allen wrench, for loosening and fastening the QUICKON union nut, WAF 22 mm

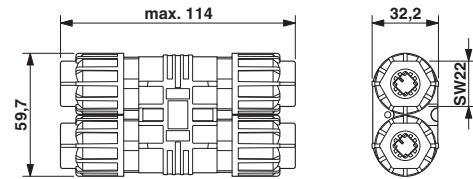
Drawings

Connection distributor - QPD H 4X2,5 GY - 1582260

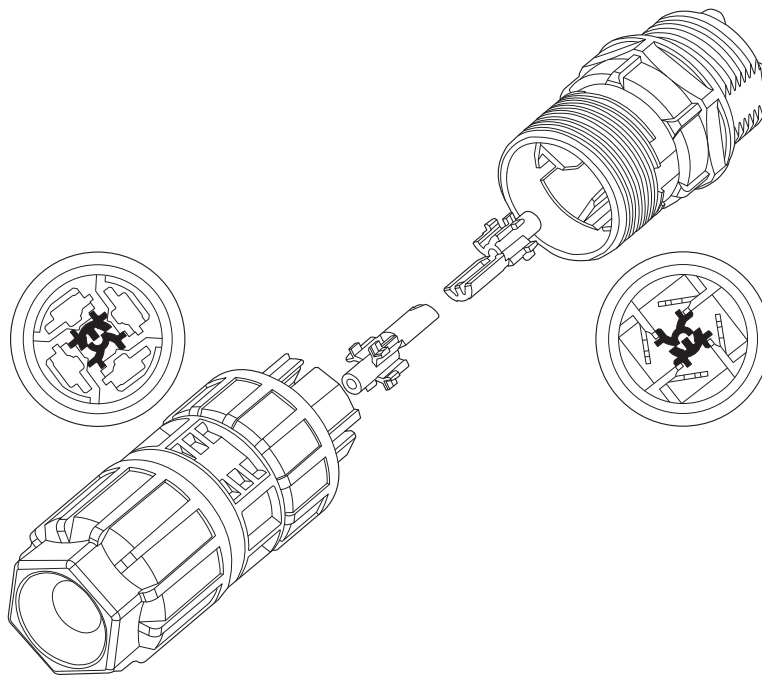
Diagram



Dimensioned drawing



Schematic diagram



Coding of the QUICKON plug-in connection