



Chipsmall Limited consists of a professional team with an average of over 10 year of expertise in the distribution of electronic components. Based in Hongkong, we have already established firm and mutual-benefit business relationships with customers from,Europe,America and south Asia,supplying obsolete and hard-to-find components to meet their specific needs.

With the principle of “Quality Parts,Customers Priority,Honest Operation,and Considerate Service”,our business mainly focus on the distribution of electronic components. Line cards we deal with include Microchip,ALPS,ROHM,Xilinx,Pulse,ON,Everlight and Freescale. Main products comprise IC,Modules,Potentiometer,IC Socket,Relay,Connector.Our parts cover such applications as commercial,industrial, and automotives areas.

We are looking forward to setting up business relationship with you and hope to provide you with the best service and solution. Let us make a better world for our industry!



Contact us

Tel: +86-755-8981 8866 Fax: +86-755-8427 6832

Email & Skype: info@chipsmall.com Web: www.chipsmall.com

Address: A1208, Overseas Decoration Building, #122 Zhenhua RD., Futian, Shenzhen, China



RESETTABLE CIRCUIT BREAKER

LIGHTED ON/OFF POWER SWITCH

482.60 mm
[19.000 in]

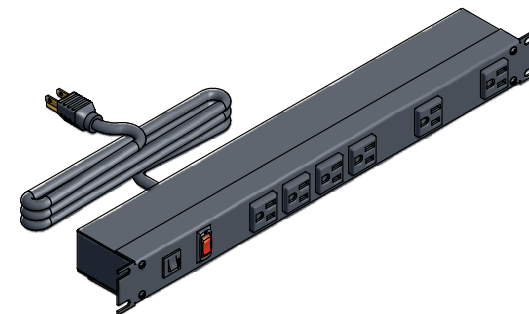
43.64 mm
[1.718 in]

165.10 mm
[6.500 in]

38.10 mm TYP
[1.500 in]

76.20 mm TYP
[3.000 in]

ASSEMBLY - VIEW FROM FRONT



ISOMETRIC VIEW

19.05 mm
[0.750 in]

444.50 mm
[17.500 in]

5.08 mm
[0.200 in]

67.58 mm
[2.661 in]

6' FOOT POWER CORD
(NEMA 5-15P)

ASSEMBLY - VIEW FROM BOTTOM

ASSEMBLY - VIEW FROM SIDE

1582H6A1BK

Finish - Front - Black Painted Steel

Back - Black Painted Steel

Rated - 125 VAC, 60 Hz, 15 Amps

Approvals - CSA Certified Standards C22.2 (No. 21-95, 42-99)

- UL Recognized Standard UL1363

Colours & Cord Length

1582H6A1BK - Black w/ 6' Foot Power Cord (NEMA 5-15P)

1582H6A1 - ASA 61 Grey w/ 6' Foot Power Cord (NEMA 5-15P)

1582H6B1BK - Black w/ 15' Foot Power Cord (NEMA 5-15P)

1582H6B1 - ASA 61 Grey w/ 15' Foot Power Cord (NEMA 5-15P)

10.31 mm
[0.406 in]

461.98 mm
[18.188 in]

5.97 mm
[0.235 in]

31.70 mm
[1.248 in]

127.00 mm
[5.000 in]

SECTION A-A

R3.18 mm
[0.125 in]



**HAMMOND
MANUFACTURING™**

1582H6A1BK

www.hammondmfg.com