



Chipsmall Limited consists of a professional team with an average of over 10 year of expertise in the distribution of electronic components. Based in Hongkong, we have already established firm and mutual-benefit business relationships with customers from,Europe,America and south Asia,supplying obsolete and hard-to-find components to meet their specific needs.

With the principle of “Quality Parts,Customers Priority,Honest Operation,and Considerate Service”,our business mainly focus on the distribution of electronic components. Line cards we deal with include Microchip,ALPS,ROHM,Xilinx,Pulse,ON,Everlight and Freescale. Main products comprise IC,Modules,Potentiometer,IC Socket,Relay,Connector.Our parts cover such applications as commercial,industrial, and automotives areas.

We are looking forward to setting up business relationship with you and hope to provide you with the best service and solution. Let us make a better world for our industry!



Contact us

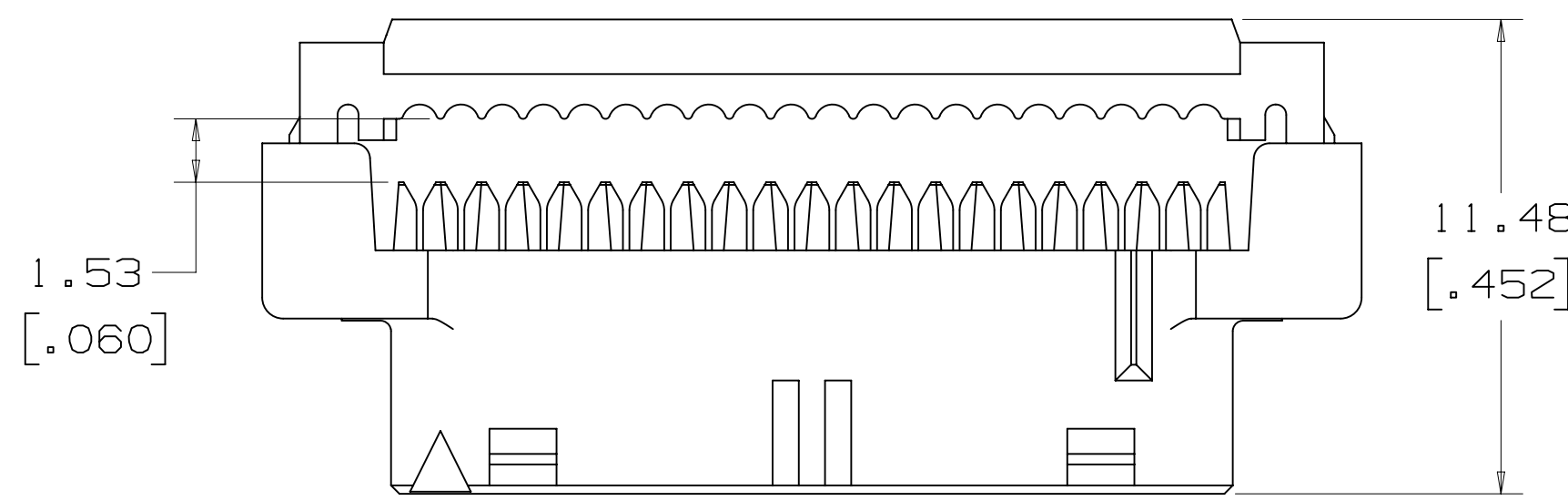
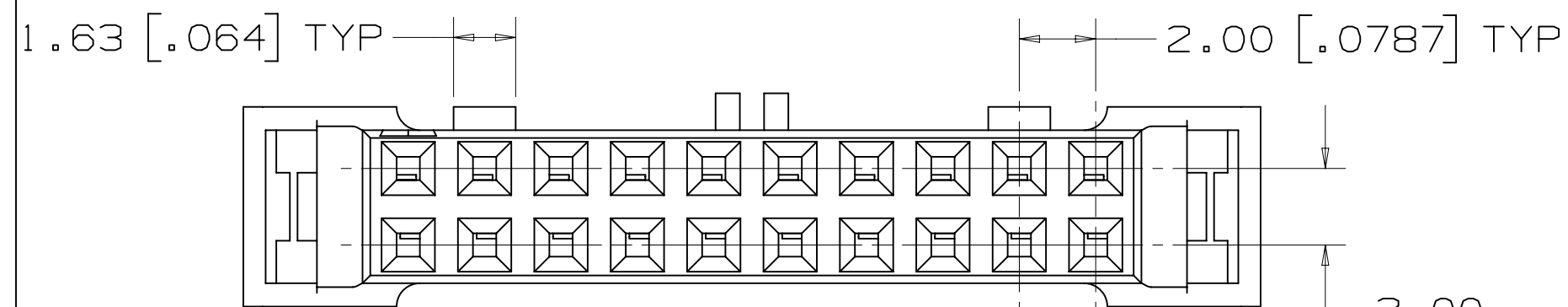
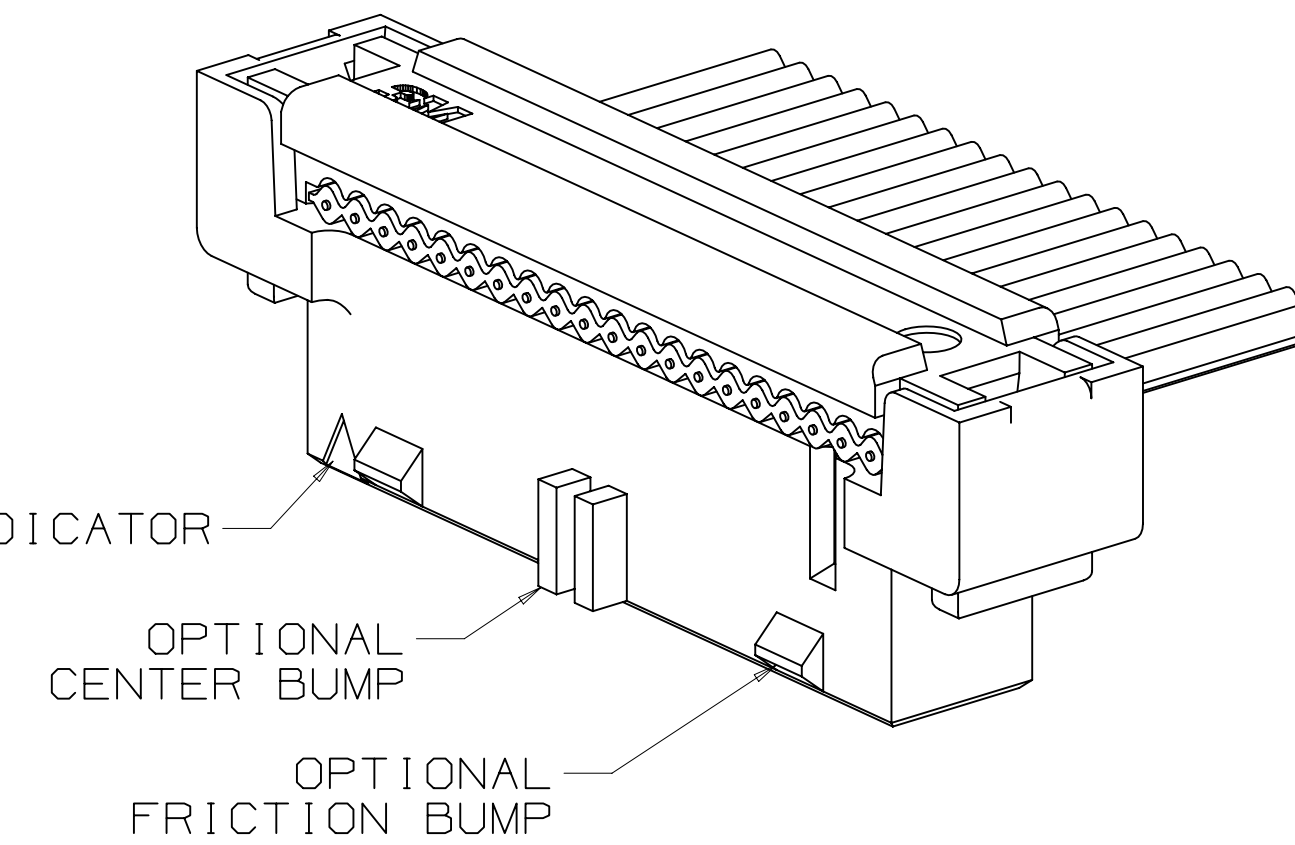
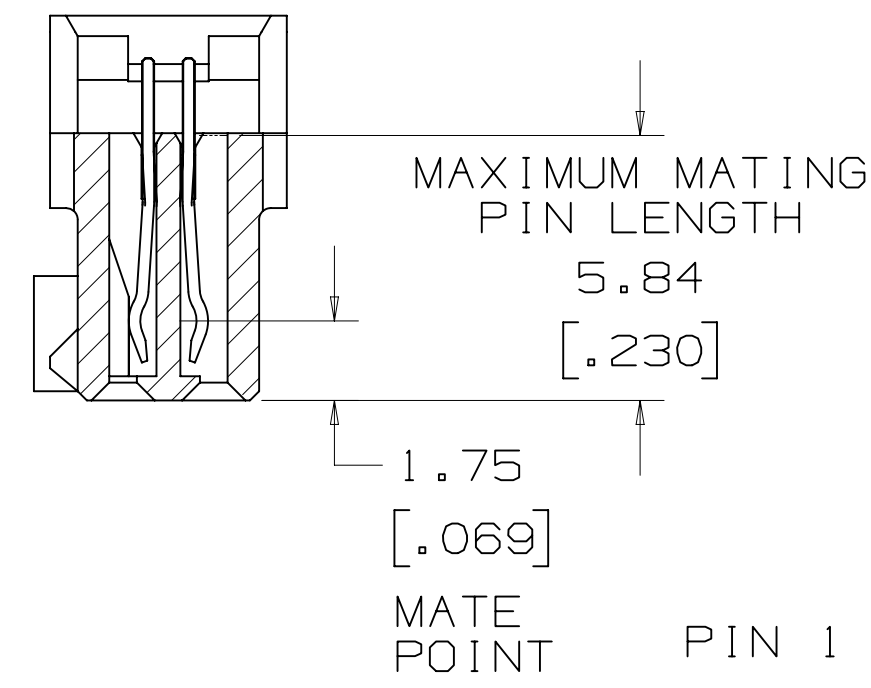
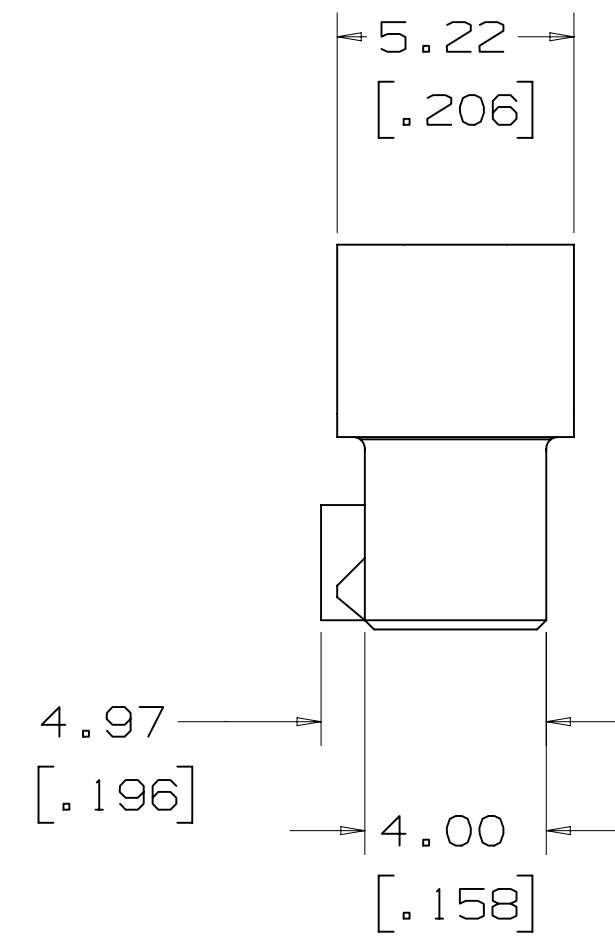
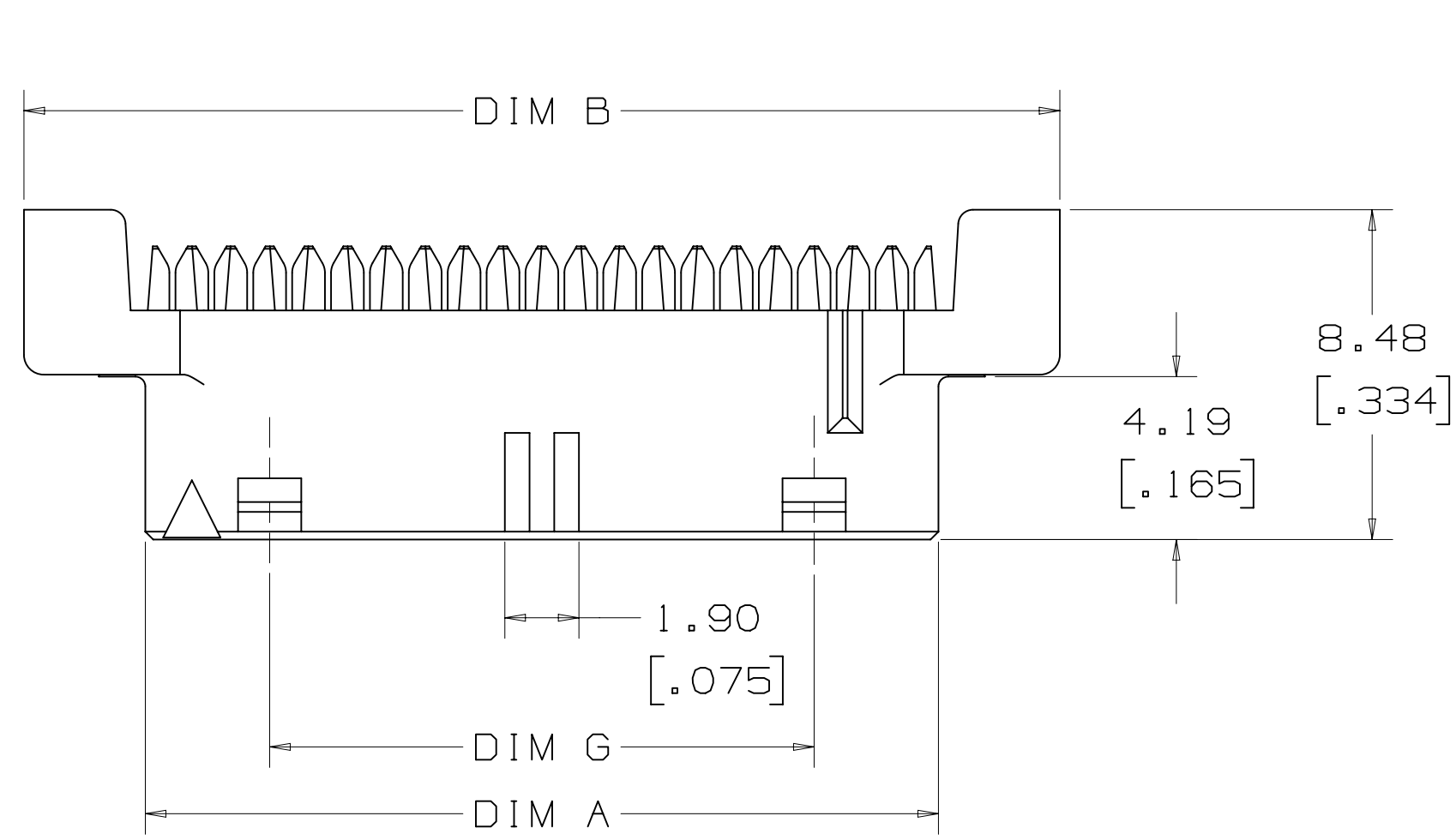
Tel: +86-755-8981 8866 Fax: +86-755-8427 6832

Email & Skype: info@chipsmall.com Web: www.chipsmall.com

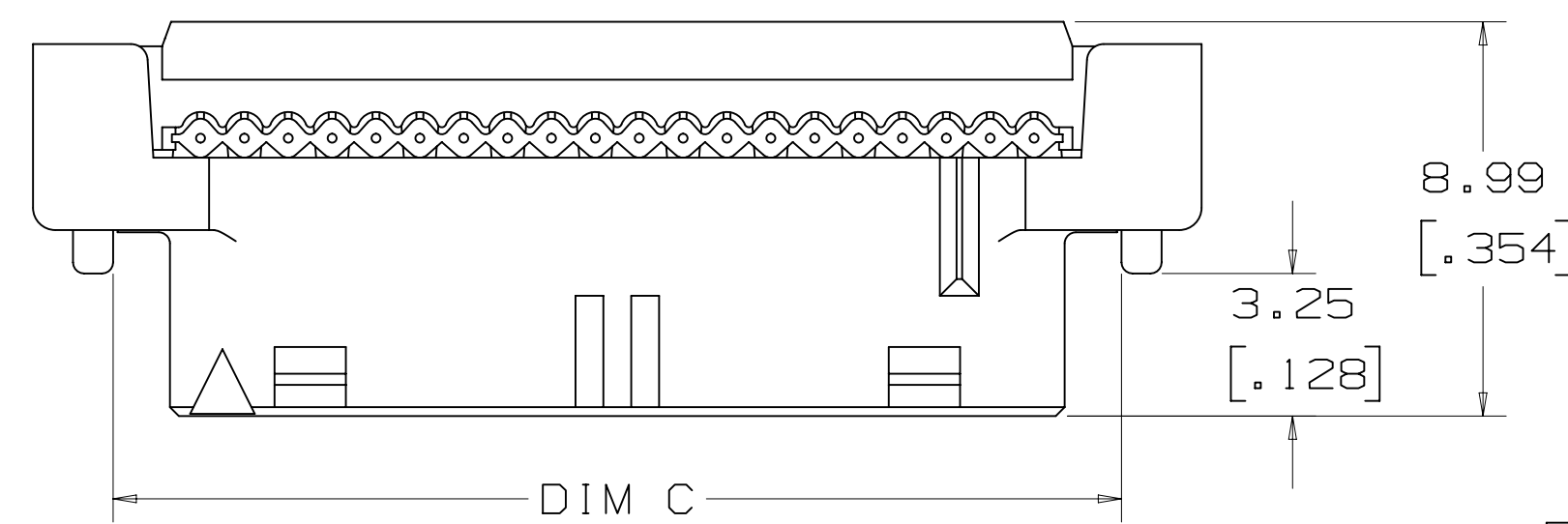
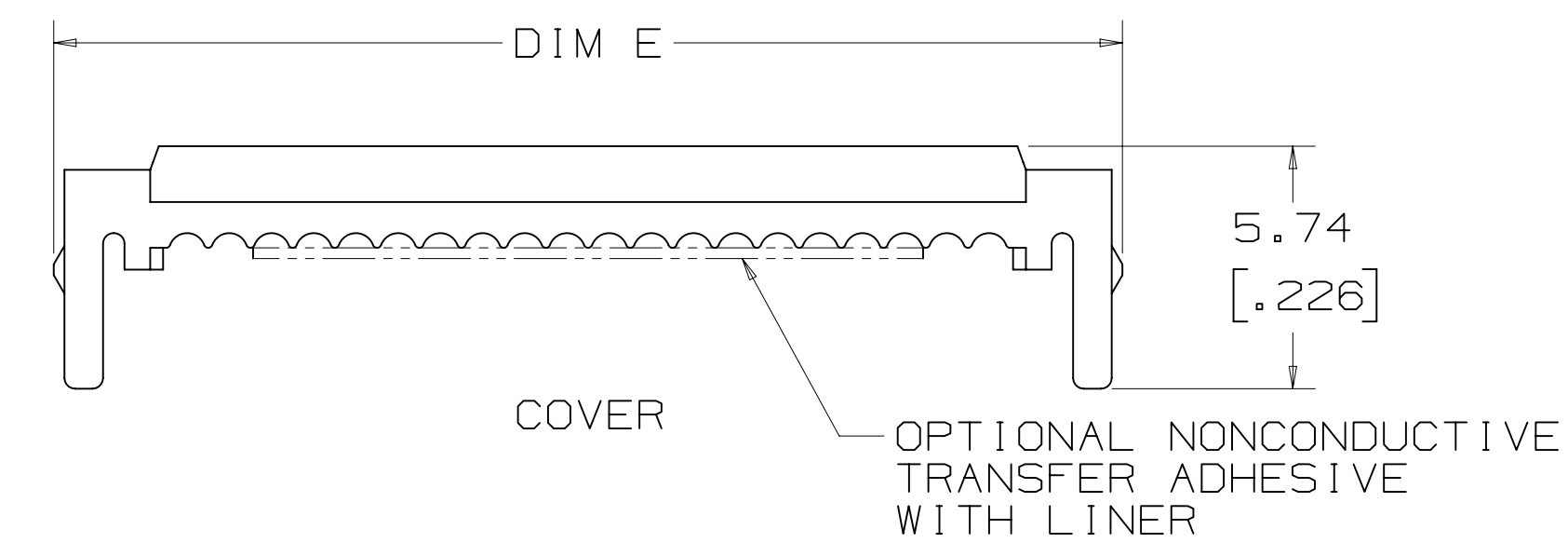
Address: A1208, Overseas Decoration Building, #122 Zhenhua RD., Futian, Shenzhen, China



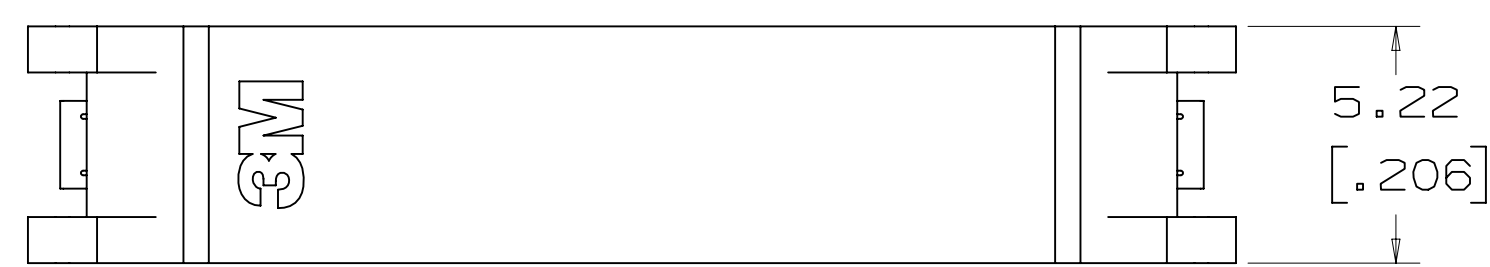
3M™ Ribbon Cable Socket 2 mm X 2 mm Pitch 158 Series



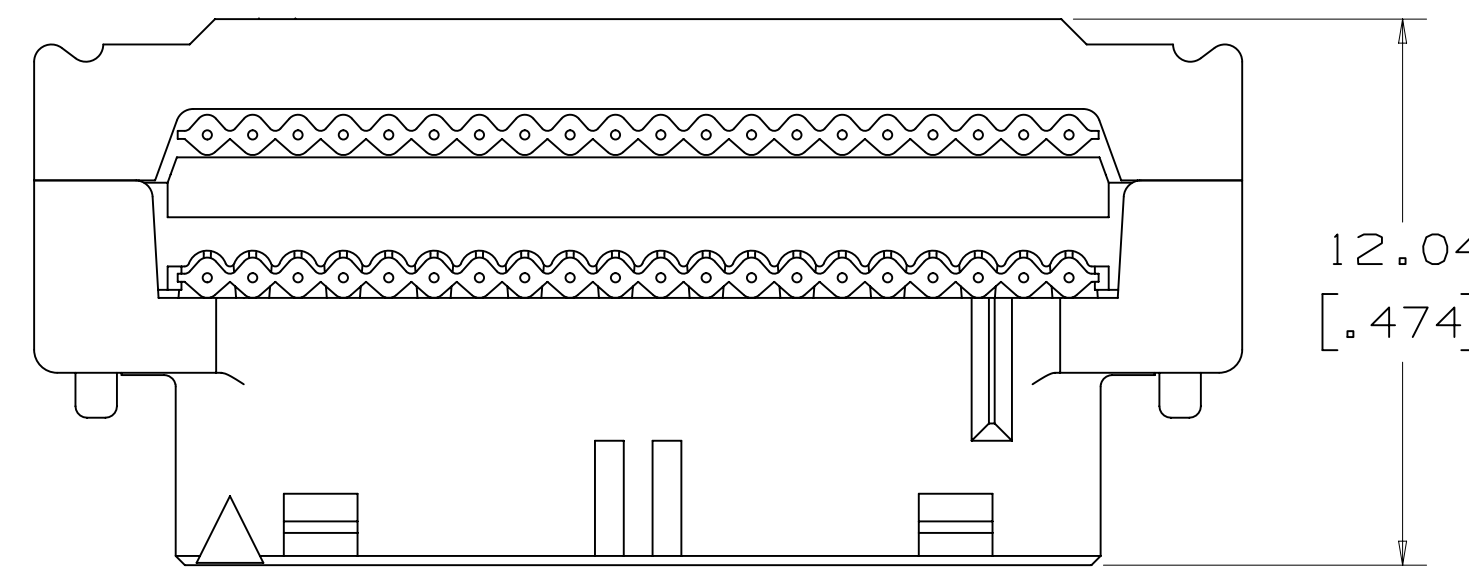
PREASSEMBLED HEIGHT WITH COVER



ASSEMBLED HEIGHT WITH COVER



STRAIN RELIEF



ASSEMBLED HEIGHT WITH COVER AND STRAIN RELIEF

PERFORMANCE [7] [8]	
CURRENT:	1.25 A, ALL LINES ENERGIZED 2.75 A, 6 LINES ENERGIZED 4.75 A, 1 LINE ENERGIZED
INSULATION RESISTANCE:	>1X10 ⁹ OHMS AT 500 VDC
WITHSTANDING VOLTAGE:	500 VACrms AT SEA LEVEL
TEMPERATURE RATING:	-55°C TO +105°C

- NOTES
- MATERIAL:
BODY: HIGH TEMP GLASS FILLED POLYESTER, GRAY UL94V-0
CONTACTS: COPPER ALLOY
 - PLATING:
2.03-3.81 μm [80-150 μin] NICKEL UNDERPLATE
0.38 μm [15 μin] OR 0.76 μm [30 μin] AVG GOLD ON WIPING AREA.
 - RIBBON CABLE:
RECOMMENDED: 3M™ 3625 (28 AWG, 7 STRAND).
 - APPLICATION TOOLS:
3460 PRESS (OR EQUIVALENT) 3443-119 LOCATOR PLATE, 3442-9 PLATEN
SEE 3M INSTRUCTION SHEET 78-9101-2810-3.
 - MATES WITH 3M™ HEADERS 159 SERIES (REFERENCE 3M DRAWING 78-5100-2359-7). (0.51 mm [.020 in] SQ, CROWNED PINS).
 - SEE THE REGULATORY INFORMATION APPENDIX (RIA) IN THE "ROHS COMPLIANCE" SECTION OF WWW.3MCONNECTOR.COM FOR COMPLIANCE INFORMATION (RIA E1 & C1 APPLY).
 - FOR PRODUCT SPECIFICATIONS AND WARRANTY INFORMATION SEE 3M 78-5102-0078-1.
 - IN THE EVENT OF CONFLICT BETWEEN THIS DATA AND THAT CONTAINED IN THE PRODUCT SPECIFICATION, THE PRODUCT SPECIFICATION TAKES PRECEDENT.

REV	ECO	ISSUE DATE AND DESCRIPTION	DRFT	CHKD
F	51692	DEC 16, 2013 ADD UL SYMBOLS	SJS	SAN
E	41488	JUN 21, 2012 REVISED CURRENT RATING IN PERFORMANCE TABLE	LDS	SAN
D	37252	NOV 04, 2011 REVISED ORDERING INFORMATION REV C HISTORY REMOVED	LDS	SF
A	30741	OCT 28, 2010 INITIAL RELEASE	LDS	SF

DESIGN REFERENCE	NEXT ASSEMBLY	REV	DATE	DATE	DATE
		L. SCHMIDT	JUL 23, 2010	MFG	
				APPR	S. FELDMAN
				DATE	JUL 30, 2010

METRIC [ENGLISH]
CAUS
UL FILE NO: E68080

3M Center St. Paul, MN 55144

© 3M COPYRIGHT 2010
This document and the information it contains are 3M property and may not be reproduced or further distributed without 3M permission, or used or disclosed other than for 3M authorized purposes. All rights reserved.

TITLE
3M RIBBON CABLE SOCKET 2 MM x 2 MM PITCH 158 SERIES

CAGE NUMBER **D** 78-5100-2358-9
SIZE **125**
DRAWING NO. **78-5100-2358-9**
REV. **F**

MODEL
DET. YES NO
SHT 1 OF 3

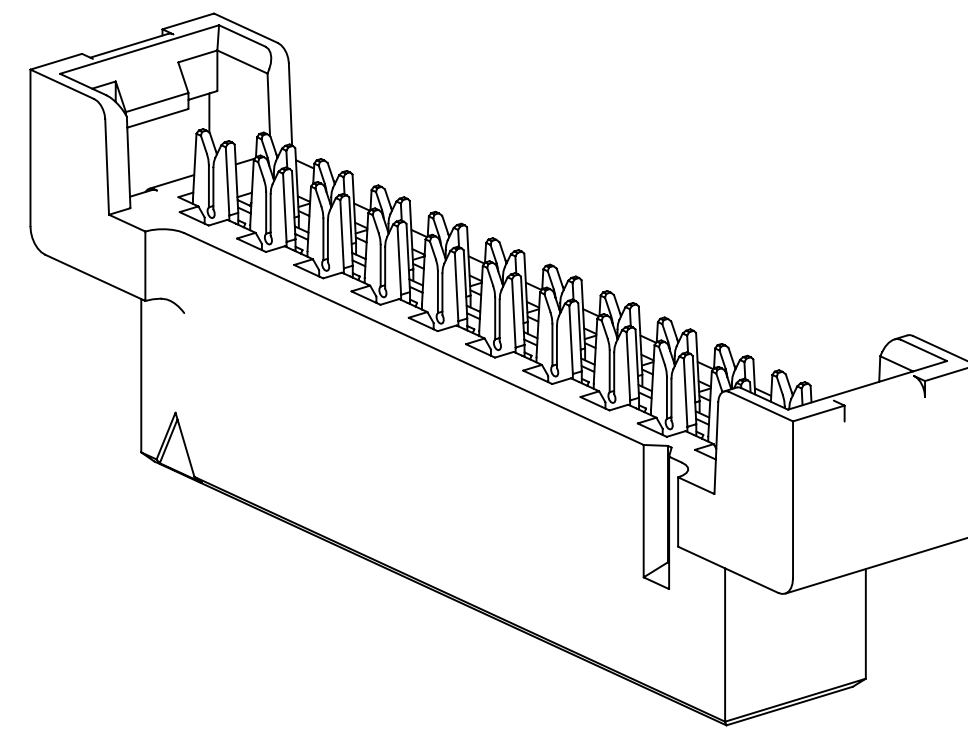
78-5100-2358-9
DRAWING NUMBER

F
REVISION

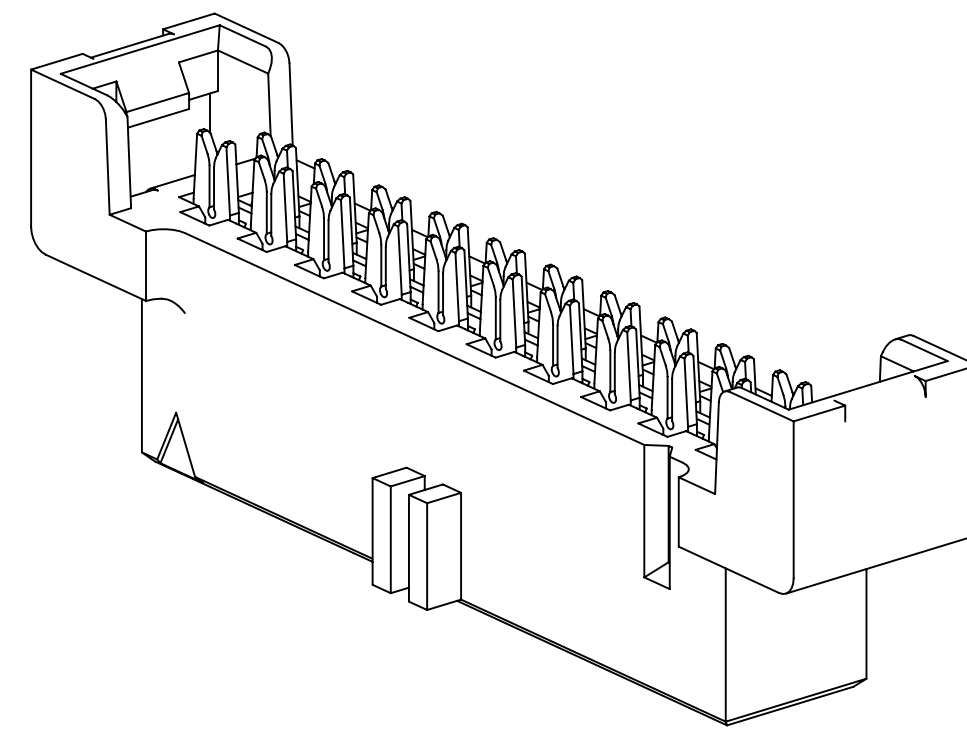
A

3M™ Ribbon Cable Socket 2 mm X 2 mm Pitch 158 Series

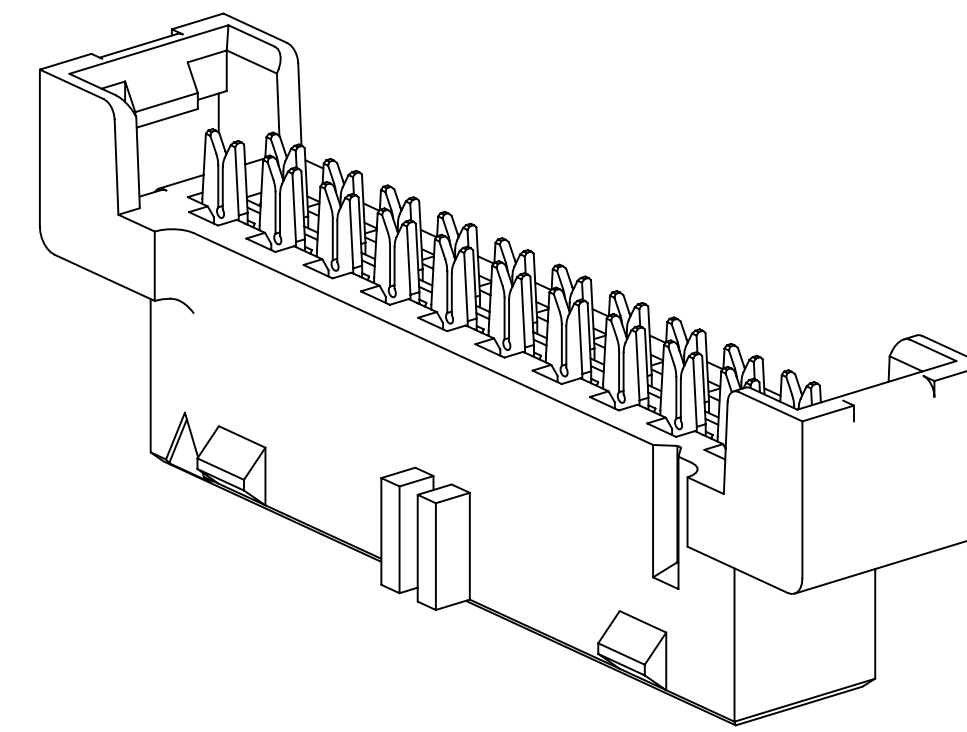
NUMBER OF POSITIONS	DIM A	DIM B	DIM C	DIM D	DIM E	DIM F	DIM G
6	6.39 [.252]	12.64 [.497]	8.98 [.354]	10.81 [.426]	11.32 [.446]	12.64 [.497]	N/A
8	8.39 [.330]	14.64 [.576]	10.98 [.432]	12.81 [.504]	13.32 [.524]	14.64 [.576]	N/A
10	10.39 [.409]	16.64 [.655]	12.98 [.511]	14.81 [.583]	15.32 [.603]	16.64 [.655]	N/A
12	12.39 [.488]	18.64 [.734]	14.98 [.590]	16.81 [.662]	17.32 [.682]	18.64 [.734]	N/A
14	14.39 [.567]	20.64 [.812]	16.98 [.669]	18.81 [.741]	19.32 [.761]	20.64 [.812]	8.00 [.315]
16	16.39 [.645]	22.64 [.891]	18.98 [.747]	20.81 [.819]	21.32 [.839]	22.64 [.891]	10.00 [.394]
20	20.39 [.803]	26.64 [1.049]	22.98 [.905]	24.81 [.977]	25.32 [.997]	26.64 [1.049]	14.00 [.551]
22	22.39 [.882]	28.64 [1.127]	24.98 [.984]	26.81 [1.056]	27.32 [1.076]	28.64 [1.127]	16.00 [.630]
24	24.39 [.960]	30.64 [1.206]	26.98 [1.062]	28.81 [1.134]	29.32 [1.154]	30.64 [1.206]	18.00 [.709]
26	26.39 [1.039]	32.64 [1.285]	28.98 [1.141]	30.81 [1.213]	31.32 [1.233]	32.64 [1.285]	20.00 [.787]
30	30.39 [1.197]	36.64 [1.442]	32.98 [1.299]	34.81 [1.371]	35.32 [1.391]	36.64 [1.442]	24.00 [.945]
34	34.39 [1.354]	40.64 [1.600]	36.98 [1.456]	38.81 [1.528]	39.32 [1.548]	40.64 [1.600]	28.00 [1.102]
40	40.39 [1.590]	46.64 [1.836]	42.98 [1.692]	44.81 [1.764]	45.32 [1.784]	46.64 [1.836]	34.00 [1.339]
44	44.39 [1.748]	50.64 [1.994]	46.98 [1.850]	48.81 [1.922]	49.32 [1.942]	50.64 [1.994]	38.00 [1.496]
50	50.39 [1.984]	56.64 [2.230]	52.98 [2.086]	54.81 [2.158]	55.32 [2.178]	56.64 [2.230]	44.00 [1.732]



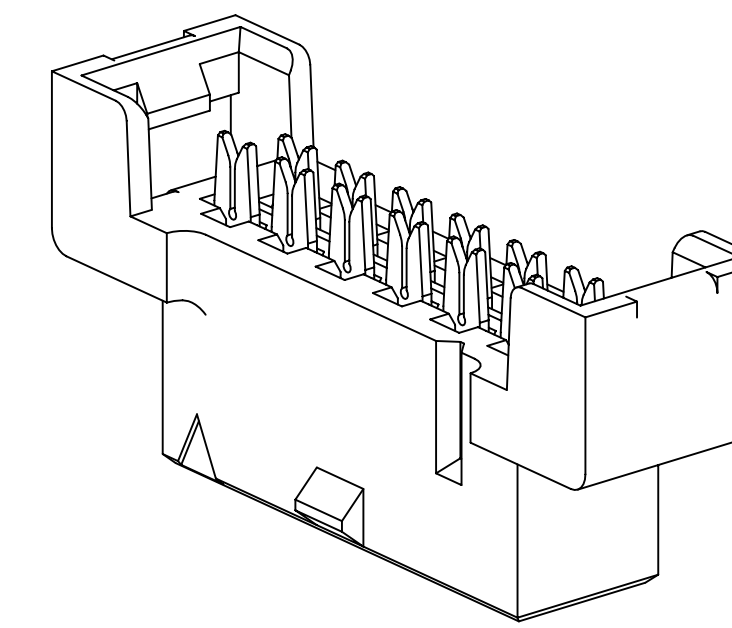
SOCKET WITHOUT OPTIONS
ALL POSITIONS



CENTER BUMP OPTION
ALL POSITIONS



CENTER BUMP WITH
FRICTION BUMP OPTION
14-50 POSITIONS



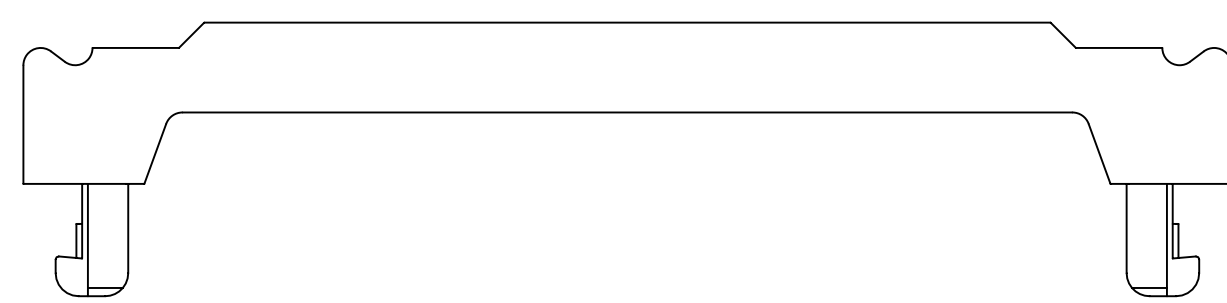
CENTER FRICTION BUMP OPTION
6-12 POSITIONS ONLY

ORDERING INFORMATION

TIER 1 - BEST
1581XX-1X00
TIER 1 = BEST
POSITION COUNT (SEE TABLE)
PART CONFIGURATION 1 = ADHESIVE COVER
POLARIZATION/LATCHING 1 = WITH CENTER BUMP, NO FRICTION BUMPS (6-50 POS)
PLATING BLANK = 0.76 μm [30 μin] GOLD
PACKAGING 0 = TRAY

TIER 2 - BETTER
1582XX-0X20XX
TIER 2 = BETTER
POSITION COUNT (SEE TABLE)
PART CONFIGURATION 0 = PREASSEMBLED COVER
POLARIZATION/LATCHING 0 = NO CENTER BUMP, NO FRICTION BUMPS (6-50 POS)
1 = WITH CENTER BUMP, NO FRICTION BUMPS, (6-50 POS)
2 = WITH CENTER BUMP AND DUAL FRICTION BUMPS (14-50 POS ONLY)
3 = WITH CENTRAL FRICTION BUMP, NO CENTER BUMP (6-12 POS ONLY)
PLATING BLANK = 0.76 μm [30 μin] GOLD
15 = 0.38 μm [15 μin] GOLD
PACKAGING 2 = SWORDS

TIER 3 - VALUE
1583XX-211015
TIER 3 = VALUE
POSITION COUNT (SEE TABLE)
PART CONFIGURATION 2 = SEPARATE COVER
POLARIZATION/LATCHING 1 = WITH CENTER BUMP, NO FRICTION BUMPS (6-50 POS)
PLATING 15 = 0.38 μm [15 μin] GOLD
PACKAGING 1 = BULK PACK



STRAIN RELIEF
3448-158XX
POSITION COUNT (SEE TABLE)

METRIC [ENGLISH]

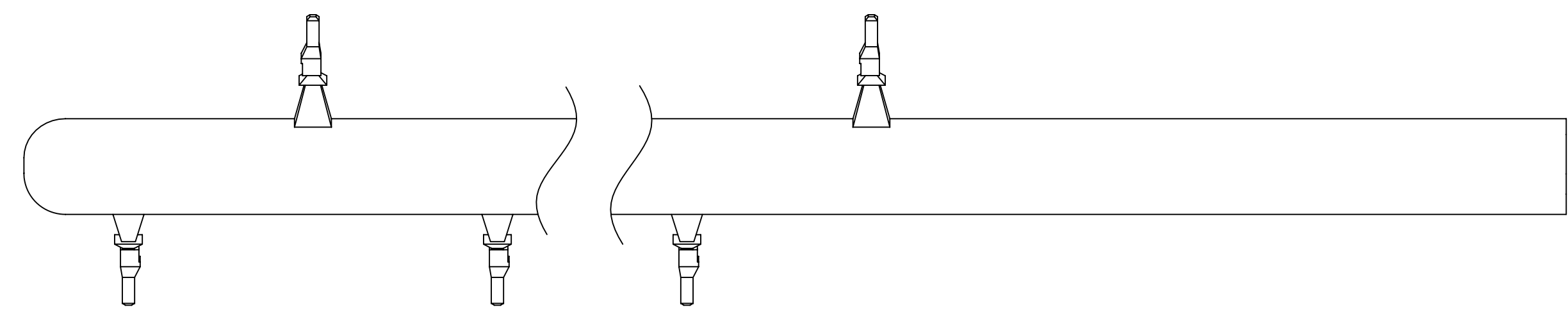
DESIGN REFERENCE	NEXT ASSEMBLY	REV	ECO	ISSUE DATE AND DESCRIPTION	DRFT	CHKD
		L. SCHMIDT		JUL 23, 2010		
					S. FELDMAN	JUL 30, 2010
DIVISION		DIVISION CODE				
DO NOT SCALE DRAWING	SCALE 6-1	TOLERANCES EXCEPT AS NOTED				
		INCHES				
		MILLIMETERS				
THIRD ANGLE PROJECTION		INTERPRET PER ASME Y14.5 - 1994				
MAX SURFACE ROUGHNESS		MILLIMETERS				
125		.00 ± .13				
		ALL SURFACES				
		MARKED ONLY				
		ANGLES ±1°				
CAGE NUMBER		DRAWING NO.		REV.		
D78-5100-2358-9		D78-5100-2358-9		F		
MODEL		SHT		2 OF 3		

© 3M COPYR[IGHT] 2010
This document and the information it contains are 3M property and may not be reproduced or further distributed without 3M permission, or used or disclosed other than for 3M authorized purposes. All rights reserved.

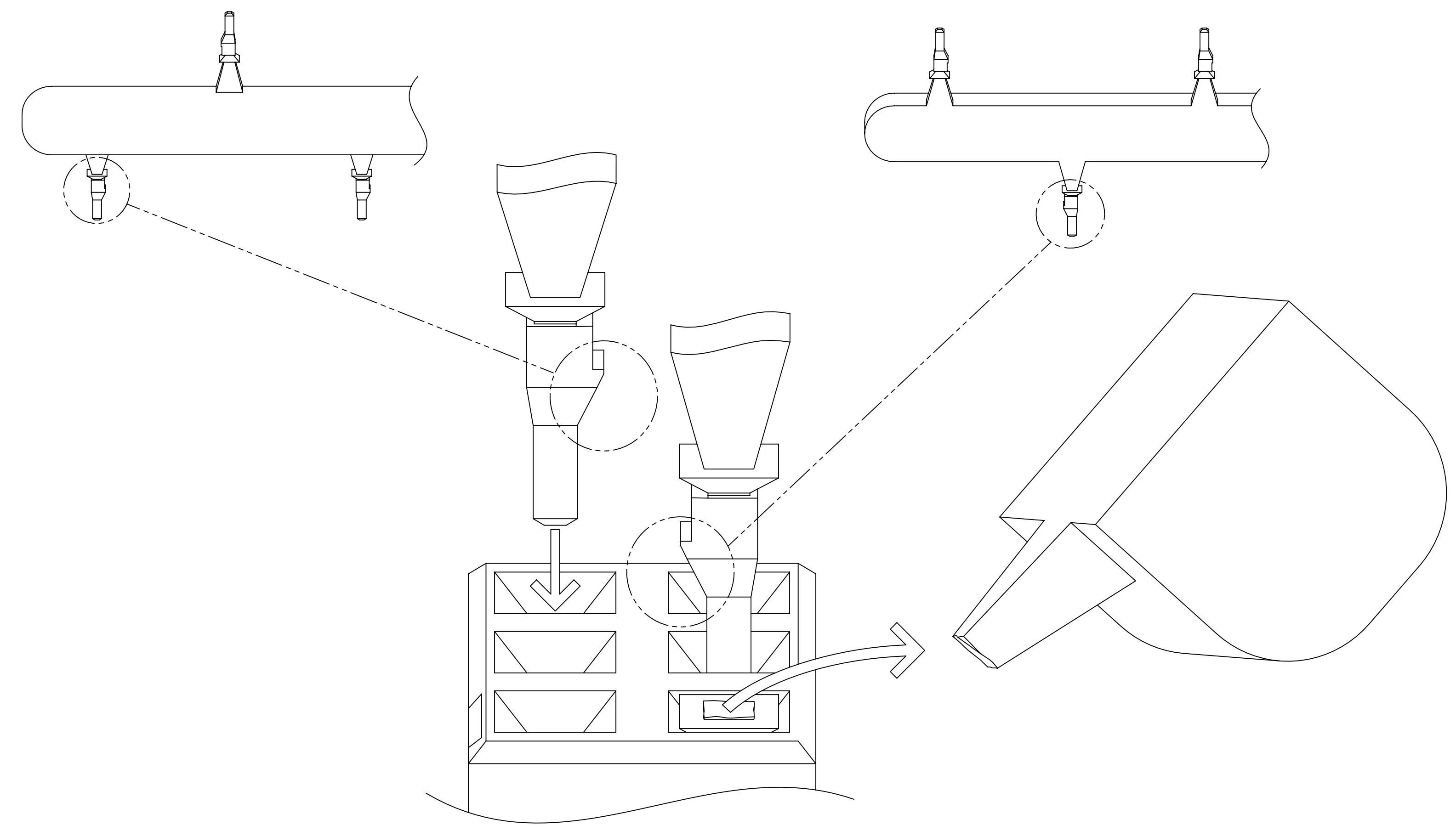
78-5100-2358-9
DRAWING NUMBER

A

3M™ Ribbon Cable Socket 2 mm X 2 mm Pitch 158 Series



POLARIZING KEY
3435-152200



POLARIZING KEY ORIENTATION AND INSTALLATION

RIBBON CABLE SOCKET ACCESSORIES

DESIGN REFERENCE	NEXT ASSEMBLY	REV	ECO	ISSUE DATE AND DESCRIPTION	DRFT	CHKD
		DRP	DATE	MFG	DATE	DATE
		L. SCHMIDT	JUL 23, 2010			
		CHKD	DATE	APPRV	DATE	DATE
				S. FELDMAN	JUL 30, 2010	
DIVISION		DIVISION CODE				
DO NOT SCALE DRAWING	SCALE 1/1	TOLERANCES EXCEPT AS NOTED				
THIRD ANGLE PROJECTION		INCHES				
INTERPRET PER ASME Y14.5 - 1994		MILLIMETERS				
MAX SURFACE ROUGHNESS		ANGLES ±1°				
125 <input type="checkbox"/> ALL SURFACES						
<input checked="" type="checkbox"/> MARKED ONLY						
		© 3M COPYRIGHT 2010 This document and the information it contains are 3M property and may not be reproduced or further distributed without 3M permission, or used or disclosed other than for 3M authorized purposes. All rights reserved.				
		TITLE 3M RIBBON CABLE SOCKET 2 MM x 2 MM PITCH 158 SERIES				
		CAGE NUMBER	SIZE	DRAWING NO.	REV.	
		D		78-5100-2358-9	F	
		MODEL	DET		SHT 3 OF 3	
		<input type="checkbox"/> YES <input checked="" type="checkbox"/> NO				

METRIC [ENGLISH]

78-5100-2358-9
DRAWING NUMBER

A