



Chipsmall Limited consists of a professional team with an average of over 10 year of expertise in the distribution of electronic components. Based in Hongkong, we have already established firm and mutual-benefit business relationships with customers from,Europe,America and south Asia,supplying obsolete and hard-to-find components to meet their specific needs.

With the principle of “Quality Parts,Customers Priority,Honest Operation,and Considerate Service”,our business mainly focus on the distribution of electronic components. Line cards we deal with include Microchip,ALPS,ROHM,Xilinx,Pulse,ON,Everlight and Freescale. Main products comprise IC,Modules,Potentiometer,IC Socket,Relay,Connector.Our parts cover such applications as commercial,industrial, and automotives areas.

We are looking forward to setting up business relationship with you and hope to provide you with the best service and solution. Let us make a better world for our industry!



Contact us

Tel: +86-755-8981 8866 Fax: +86-755-8427 6832

Email & Skype: info@chipsmall.com Web: www.chipsmall.com

Address: A1208, Overseas Decoration Building, #122 Zhenhua RD., Futian, Shenzhen, China



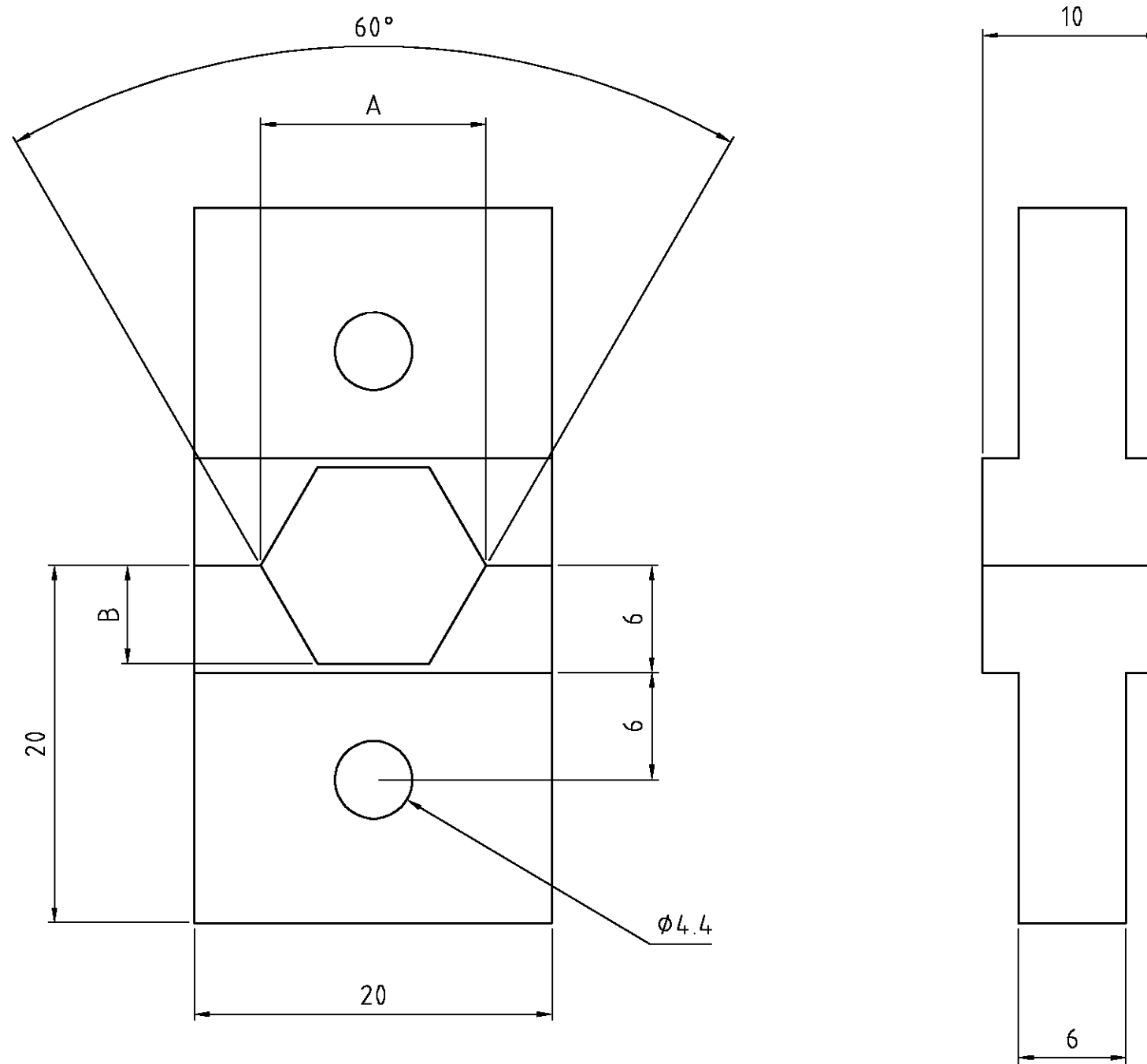
THIS DRAWING IS UNPUBLISHED.

RELEASED FOR PUBLICATION

© COPYRIGHT - BY TYCO ELECTRONICS CORPORATION. ALL RIGHTS RESERVED.

LOC	DIST	REVISIONS					
A	40	P	LTR	DESCRIPTION	DATE	DWN	APVD
		A		0150-0645-03	6-03	CE	RS

PART NUMBER	REV	FIRST USED	SIZE	A	B
1583684-1	A	-	7.0	7.2	3.2
1583684-2	A	-	9.0	9.2	4.2
1583684-3	A	-	10.0	10.3	4.6
1583684-4	A	-	11.0	11.4	4.8



THIS DRAWING IS A CONTROLLED DOCUMENT.		DWN W.HOOVER	07MAY02	Tyco Electronics Corporation Harrisburg, PA, 17112	
DIMENSIONS: MM		CHK R.SCHAEFFER	23JUNE03		
		APVD R.SCHAEFFER	23JUNE03	NAME DIES HANDCRIMPTOOL	
TOLERANCES UNLESS OTHERWISE SPECIFIED:		PRODUCT SPEC		RESTRICTED TO	
0 PLC ± -		APPLICATION SPEC		SIZE A3	
1 PLC ± -		WEIGHT		CAGE CODE 00779	
2 PLC ± -		CUSTOMER DRAWING		DRAWING NO C-1583684	
3 PLC ± -		SCALE 1:1		SHEET 1 OF 1	
4 PLC ± -		SCALE 1:1		REV A	
ANGLES ± -		SCALE 1:1		REV A	
FINISH		SCALE 1:1		REV A	
MATERIAL		SCALE 1:1		REV A	