



Chipsmall Limited consists of a professional team with an average of over 10 year of expertise in the distribution of electronic components. Based in Hongkong, we have already established firm and mutual-benefit business relationships with customers from,Europe,America and south Asia,supplying obsolete and hard-to-find components to meet their specific needs.

With the principle of “Quality Parts,Customers Priority,Honest Operation,and Considerate Service”,our business mainly focus on the distribution of electronic components. Line cards we deal with include Microchip,ALPS,ROHM,Xilinx,Pulse,ON,Everlight and Freescale. Main products comprise IC,Modules,Potentiometer,IC Socket,Relay,Connector.Our parts cover such applications as commercial,industrial, and automotives areas.

We are looking forward to setting up business relationship with you and hope to provide you with the best service and solution. Let us make a better world for our industry!



Contact us

Tel: +86-755-8981 8866 Fax: +86-755-8427 6832

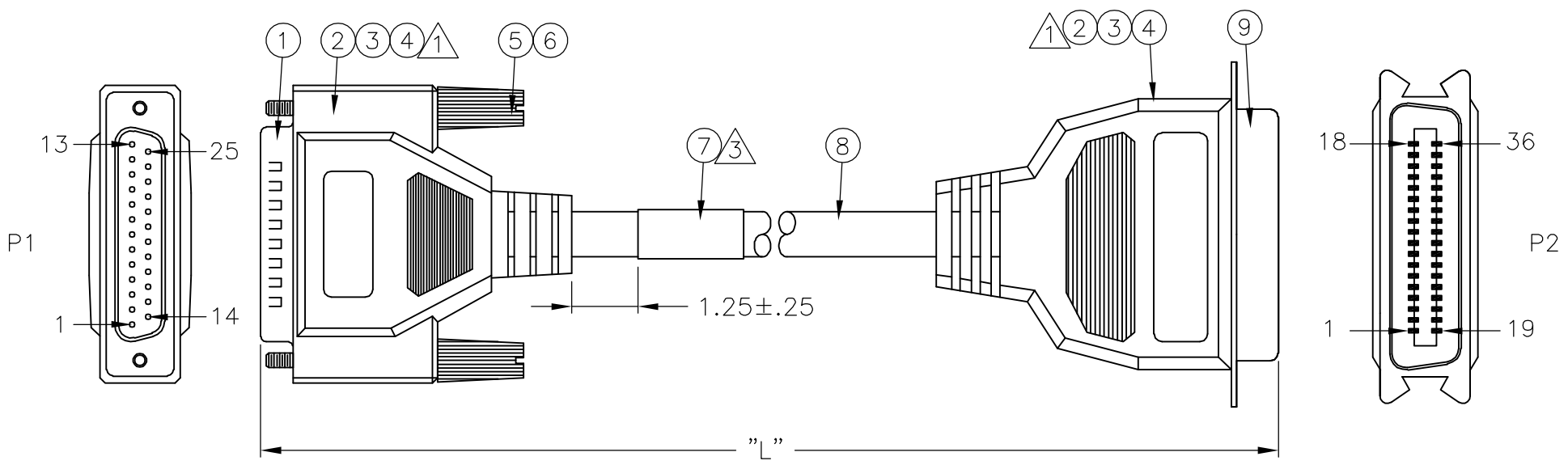
Email & Skype: info@chipsmall.com Web: www.chipsmall.com

Address: A1208, Overseas Decoration Building, #122 Zhenhua RD., Futian, Shenzhen, China



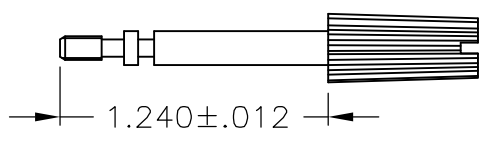
THIS DRAWING IS UNPUBLISHED. RELEASED FOR PUBLICATION
 © COPYRIGHT BY TYCO ELECTRONICS CORPORATION. ALL RIGHTS RESERVED.

LOC	DIST	REVISIONS			
P	LTR	DESCRIPTION	DATE	DWN	APVD
CF	71	F	REVISION PER ECO-06-016717	14JUL06	LN WW



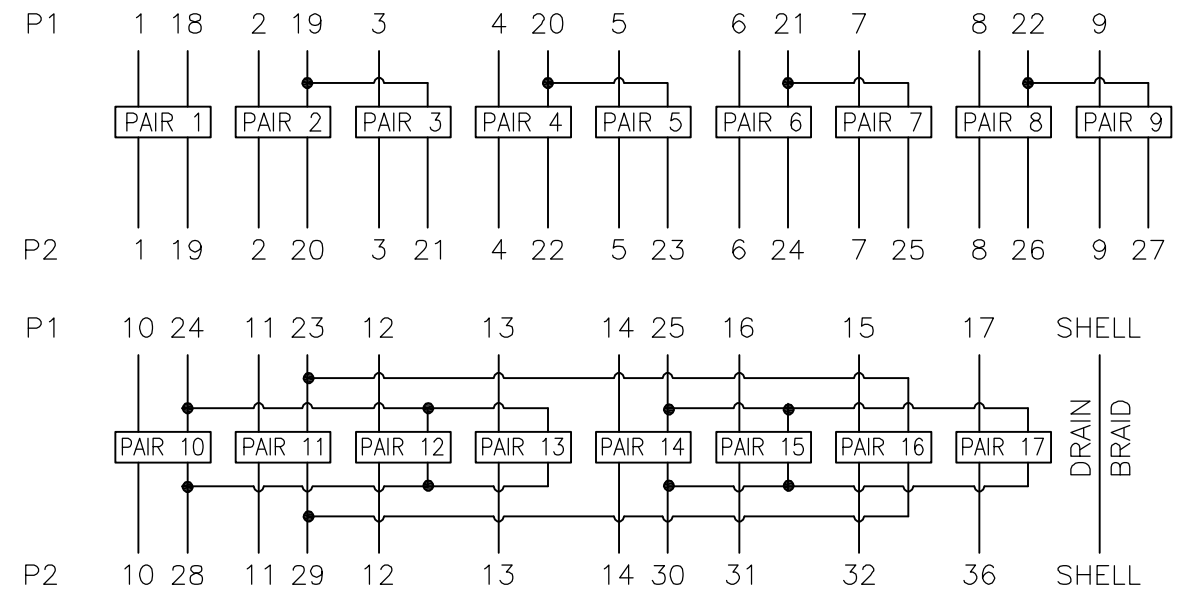
- NOTES:
- CABLE BRAID TO BE SOLDERED 360 DEGREES TO FOIL, FOIL SEAMS TO BE SOLDERED, FOIL SOLDERED 360 DEGREE TO SHELL.
 - CABLE ASSEMBLIES MUST MEET OR EXCEED THE CURRENT IEEE 1284 STANDARDS.
 - LABEL INFORMATION:

COUNTRY OF ORIGIN
TYCO P/N
WWYY
IEEE STD
1284-1994
 - TEST CONDITION:
 CONTINUITY RESISTANCE: SEE TABLE.
 INSULATION RESISTANCE: 5.0 Mohm MIN.
 HI-POT TEST: 300V DC/100 MS MIN.
 - PRODUCT AND PROCESSING MUST MEET REQUIREMENTS OF TYCO ENVIRONMENTAL STANDARD 230-702.



3.0 OHM MAX.	393.72 ^{+6.00} _{-0.00}	158392-6
2.0 OHM MAX.	236.28 ^{+4.00} _{-0.00}	158392-5
2.0 OHM MAX.	118.11 ^{+4.00} _{-0.00}	158392-4
2.0 OHM MAX.	78.74 ^{+4.00} _{-0.00}	158392-3
1.0 OHM MAX.	59.04 ^{+3.00} _{-0.00}	158392-2
1.0 OHM MAX.	19.68 ^{+1.00} _{-0.00}	158392-1
CONTINUITY RESISTANCE	"L" LENGTH	TYCO P/N

PIN ASSIGNMENT :



1	PC	CN36 MALE, SOLDER TYPE, CONTACT: GOLD 30U" PLATED, SHELL: NICKEL PLATED, INSULATION COLOR: BLACK.	9
AR	MR	UL20276 28AWG 18P+FILLER+FOAMED PP TYPE+DRAIN+AL/MYLAR+BRAIN, COLOR: BEIGE(BG01).	8
1	PC	LABEL, SIZE: 25.0*76.0MM, WHITE: 25.0*19.0MM.	7
AR	KG	MOLD PVC, 30P, COLOR: BEIGE(BG01).	6
2	PC	#4-40 THUMBSCREW.	5
AR	KG	OVER MOLD PVC, 40P, COLOR: BEIGE(BG01).	4
AR	KG	INNER MOLD PE.	3
AR	MR	COPPER FOIL, W: 35.0MM, 360° SOLDER.	2
1	PC	DB25 MALE, SOLDER TYPE, CONTACT: GOLD 30U" PLATED, SHELL: NICKEL PLATED, INSULATION COLOR: BLACK.	1
-1	U/M	DESCRIPTION	ITEM

THIS DRAWING IS A CONTROLLED DOCUMENT.		DWN	V.COLLER	11-18-96	 Tyco Electronics Corporation Harrisburg, Pa 17105-3608												
DIMENSIONS: INCHES		CHK	J.CORRELL	11-21-96													
TOLERANCES UNLESS OTHERWISE SPECIFIED:		APVD	J.CORRELL	11-21-96													
<table border="1"> <tr><td>0 PLC</td><td>± -</td></tr> <tr><td>1 PLC</td><td>± -</td></tr> <tr><td>2 PLC</td><td>± -</td></tr> <tr><td>3 PLC</td><td>± -</td></tr> <tr><td>4 PLC</td><td>± -</td></tr> <tr><td>ANGLES</td><td>± -</td></tr> </table>		0 PLC	± -	1 PLC	± -	2 PLC	± -	3 PLC	± -	4 PLC	± -	ANGLES	± -	NAME		CABLE ASSEMBLY, IEEE 1284, BEIGE, A-B	
0 PLC	± -																
1 PLC	± -																
2 PLC	± -																
3 PLC	± -																
4 PLC	± -																
ANGLES	± -																
MATERIAL		FINISH		SIZE	CAGE CODE	DRAWING NO	RESTRICTED TO										
-		-		A3	00779	C-158392	-										
CUSTOMER DRAWING				SCALE	N.T.S	SHEET	1 OF 1										
				REV	F												