



Chipsmall Limited consists of a professional team with an average of over 10 year of expertise in the distribution of electronic components. Based in Hongkong, we have already established firm and mutual-benefit business relationships with customers from,Europe,America and south Asia,supplying obsolete and hard-to-find components to meet their specific needs.

With the principle of "Quality Parts,Customers Priority,Honest Operation,and Considerate Service",our business mainly focus on the distribution of electronic components. Line cards we deal with include Microchip,ALPS,ROHM,Xilinx,Pulse,ON,Everlight and Freescale. Main products comprise IC,Modules,Potentiometer,IC Socket,Relay,Connector.Our parts cover such applications as commercial,industrial, and automotives areas.

We are looking forward to setting up business relationship with you and hope to provide you with the best service and solution. Let us make a better world for our industry!



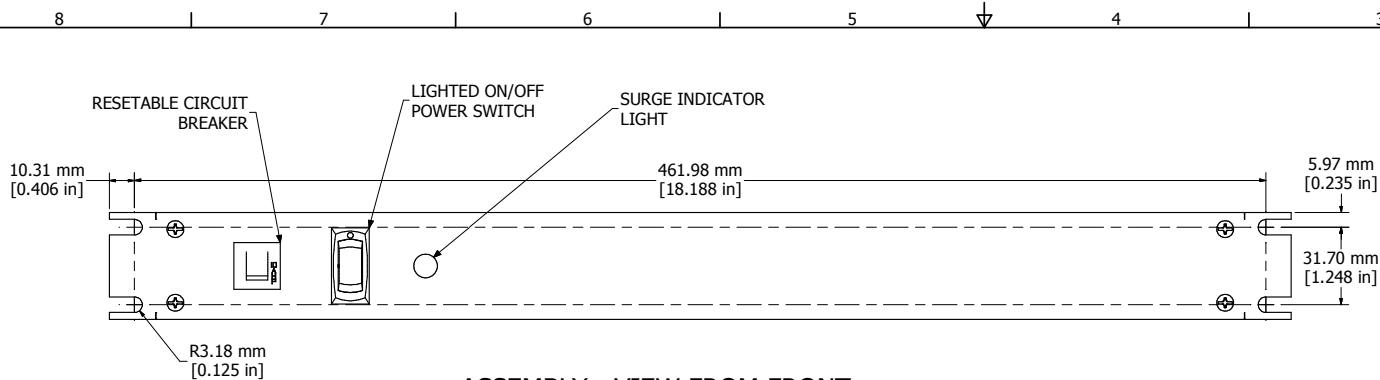
Contact us

Tel: +86-755-8981 8866 Fax: +86-755-8427 6832

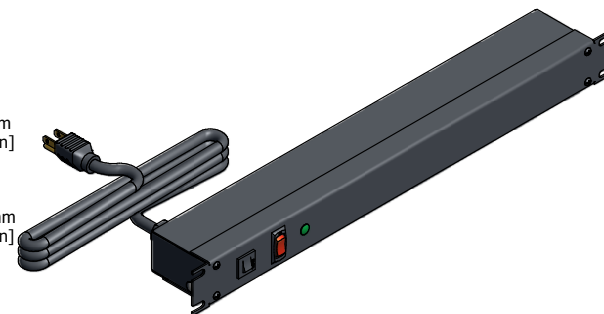
Email & Skype: info@chipsmall.com Web: www.chipsmall.com

Address: A1208, Overseas Decoration Building, #122 Zhenhua RD., Futian, Shenzhen, China

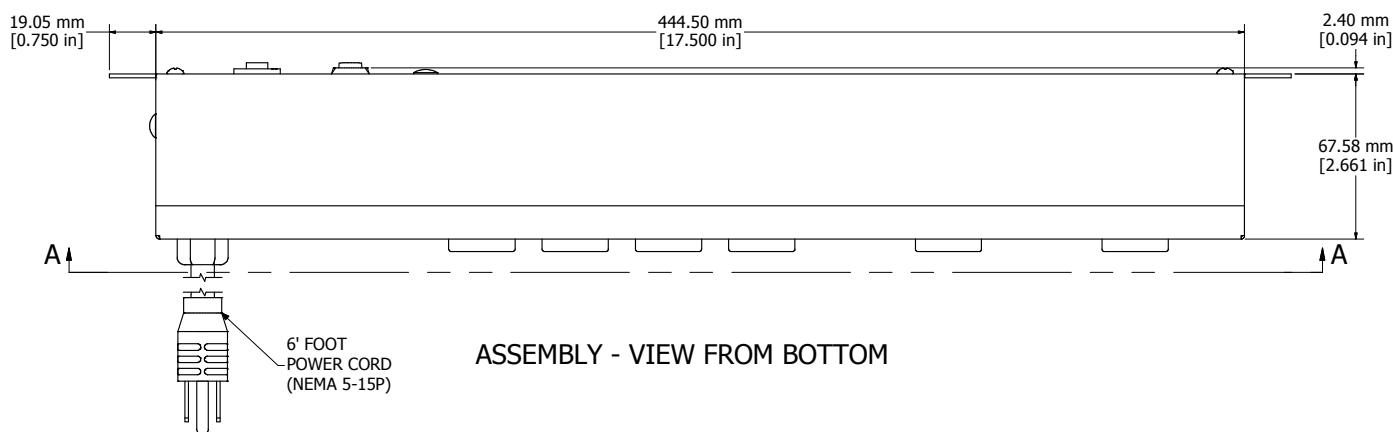




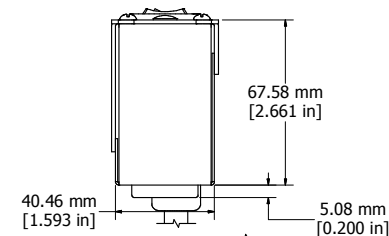
ASSEMBLY - VIEW FROM FRONT



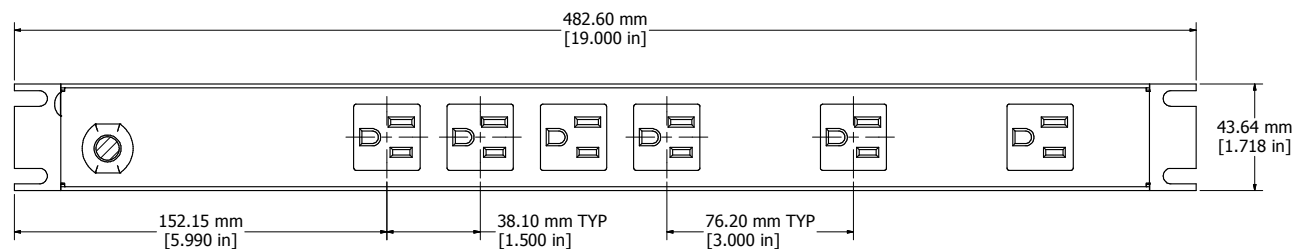
ISOMETRIC VIEW



ASSEMBLY - VIEW FROM BOTTOM



ASSEMBLY - VIEW FROM SIDE



SECTION A-A

1583H6**S**	
Finish - Front - Black Painted Steel	
Back - Black Painted Steel	
Rated - 125 VAC, 60 Hz, 15 Amps	
Approvals - CSA Certified Standards C22.2 (No. 21-95, 42-99)	
- CSA No. 8-M1986	
Surge Specs - 780 Joules, 54000 Amps Transient Current	
- Protection in 3 AC Modes (L-N, N-G, L-G)	
Colours & Cord Length	
1583H6A1SBK - Black w/ 6' Foot Power Cord (NEMA 5-15P)	
1583H6A1S - ASA 61 Grey w/ 6' Foot Power Cord (NEMA 5-15P)	
1583H6B1SBK - Black w/ 15' Foot Power Cord (NEMA 5-15P)	
1583H6B1S - ASA 61 Grey w/ 15' Foot Power Cord (NEMA 5-15P)	

